



Advanced AV Distribution Solutions

SYSTEM INSTALLATION & INTEGRATION

AV SIGNAL DISTRIBUTION & SWITCHING

AV CONVERSION, SCALLING & PROCESSING

TABLE OF CONTENTS

MATRIXES	1	SCALERS	86
■ Modularized Matrix.....	1	■ HDMI Scaler.....	86
■ HDBaseT 100m Matrix.....	2	■ DVI Scaler.....	98
■ HDBaseT 70m Matrix.....	5	■ mDP Scaler.....	102
■ HDMI Ultra HD Matrix.....	7	■ 3G-SDI Scaler.....	102
■ HDMI Full HD Matrix.....	8	■ VGA/Component Video Scaler.....	105
■ CAT6 Matrix.....	11	■ Down Scaler.....	107
■ DVI Matrix.....	12		
■ 3G-SDI Matrix.....	13	VIDEO CONVERSION	114
■ Analog Video Matrix.....	14	■ Video Format Converter.....	114
■ Infrared Matrix.....	15	■ 3D Video Converter.....	123
		■ USB Video Converter.....	124
SPLITTERS	19	■ TV System Converter.....	127
■ HDBaseT 100m Splitter.....	19	■ Video Mixer.....	130
■ HDBaseT 70m Splitter.....	21	■ Other Video Processor.....	131
■ HDMI Ultra HD Splitter.....	23		
■ HDMI Full HD Splitter.....	24	AUDIO CONVERSION	133
■ CAT6 Splitter.....	30	■ Digital Audio Decoder.....	133
■ DVI Splitter.....	32	■ Audio Amplifier.....	135
■ DP/mDP Splitter.....	33	■ Audio Format Converter.....	136
■ 3G-SDI Splitter.....	34	■ Audio Inserter and Extractor.....	141
■ Analog Video Splitter.....	35	■ Audio Splitter and Switcher.....	142
		■ Other Audio Processor.....	144
SWITCHERS	38		
■ HDMI Ultra HD Switcher.....	38	DIGITAL SIGNAGE	149
■ HDMI Full HD Switcher.....	38	■ LED/LCD Video Wall.....	149
■ DVI Switcher.....	47	■ Video Wall Controller.....	149
■ Analog Video Switcher.....	48	■ Video Wall Processor.....	150
EXTENDERS	50	CONTROL SYSTEM	154
■ HDMI/DVI over HDBaseT 100m Extender.....	50	■ Home Automation.....	154
■ HDMI/DVI over HDBaseT 70m Extender.....	59	■ Micro Control System.....	155
■ HDMI over HDBaseT Wall-plate Extender.....	63		
■ KVM over IP Extender.....	66	OTHERS	157
■ HDMI over CAT6 Extender.....	67	■ Pattern Generator and Analyzer.....	157
■ VGA over CAT5 Extender.....	71	■ Power Supply Equipment.....	159
■ USB over CAT5 Extender.....	72	■ HDMI EDID/CEC Equipment.....	160
■ Audio over CAT5 Extender.....	74		
■ Infrared/RS-232 over CAT5 Extender.....	76	FAQ	163
■ Optical Fiber Extender.....	77		
■ Repeater.....	79	TABLES	167
		INDEX	175



Modularized Matrix

32x32 / 16x16 / 8x8 Modularized Hybrid Matrix

CMSI-3232 / CMSI-1616 / CMSI-88



The 32 by 32 / 16 by 16 / 8 by 8 Modularized Matrix provides a professional way to route up to 32 sources to 32 displays over different formats, currently it supports inputs of HDMI, DVI-D and VGA, and outputs of HDMI, DVI-D and HDBaseT™ of different specs. This grand matrix, with its modularization design, provides ultimate flexibility by allowing the use of any combination of HDMI, DVI-D, and HDBaseT output cards in any of its four output slots. So besides functioning as a matrix, CMSI-3232 can be a converter or an extender. Controls via front-panel buttons, IR remote control, RS-232, Telnet and IP Control, with all information including system status presented on its LCM display.

- HDMI, HDCP 1.1 and DVI 1.0 compliant
- Changeable input and output boards
- Input and output module types can be mixed and added in increment of 8 from 8x8 up to 32x32 with HDMI, DVI, CAT5e/6/7 and VGA interfaces
- Supports LPCM 7.1CH, Dolby TrueHD, Dolby Digital Plus and DTS-HD Master Audio transmission
- Supports a wide range of PC and HDTV resolutions from VGA to WUXGA and 480i to 1080p or 4K2K
- Supports RS-232, Telnet and Web GUI controls
- Supports redundant power supply
- HDMI cable length with a resolution 1080p/8-bit and 12-bit the Input/ Output source can be 15m/15m (8-bit) and 10/10m (12-bit) away
- CAT5e/6/7 cable length with a resolution 1080p/8-bit and 12-bit the Input/Output source can be 100m/100m away
- EDID modes support:
 - Standard mode: Factory default
 - Automatic mode: Takes EDID from the lowest output
 - Manual mode: Assigns any output to any input port
- HDBaseT 5Play™ convergence: Video, Audio, PoE, Ethernet & Control (IR & RS-232)



• CMSI-3232

P/N	Inputs	Outputs	4K	3D	ARC	HEC	Deep Color	HD Audio	CEC	EDID	HDCP
CMSI-88	8xHDMI, DVI, CAT5e/6/7, VGA	8xHDMI, DVI, CAT5e/6/7	Yes	Yes	-	-	Yes	Yes	-	Yes	Yes
CMSI-1616	16xHDMI, DVI, CAT5e/6/7, VGA	16xHDMI, DVI, CAT5e/6/7	Yes	Yes	-	-	Yes	Yes	-	Yes	Yes
CMSI-3232	32xHDMI, DVI, CAT5e/6/7, VGA	32xHDMI, DVI, CAT5e/6/7	Yes	Yes	-	-	Yes	Yes	-	Yes	Yes
CIN-8CV-5PLAY	8xCAT5e/6/7	-	Yes	Yes	-	-	Yes	Yes	-	Yes	Yes
CIN-8DS	8xDVI	-	-	Yes	-	-	Yes	Yes	-	Yes	Yes
CIN-8HS	8xHDMI	-	-	Yes	-	-	Yes	Yes	-	Yes	Yes
CIN-8HS4K	8xHDMI	-	Yes	Yes	-	-	Yes	Yes	-	Yes	Yes
CIN-8VGA	8xVGA	-	-	-	-	-	-	-	-	Yes	-
COU-8CV-4PLAY	-	8xCAT5e/6/7	-	Yes	-	-	Yes	Yes	-	Yes	Yes
COU-8CV-5PLAY	-	8xCAT5e/6/7	Yes	Yes	-	-	Yes	Yes	-	Yes	Yes
COU-8CVL-3PLAY	-	8xCAT5e/6/7	-	Yes	-	-	Yes	Yes	-	Yes	Yes
COU-8DS	-	8xDVI	-	Yes	-	-	Yes	Yes	-	Yes	Yes
COU-8HS	-	8xHDMI	-	Yes	-	-	Yes	Yes	-	Yes	Yes
COU-8HS4K	-	8xHDMI	Yes	Yes	-	-	Yes	Yes	-	Yes	Yes

HDBaseT 100m Matrix

8x8 / 4x4 HDMI 4K UHD over CAT5e/6/7 Matrix

CMPRO-U8H8CVE / CMPRO-U4H4CVE

This 4K2K capable HDBaseT™ 8 by 8 HDMI Matrix supports the transmission of video (resolutions up to 1080p/4K2K), multi-channel digital audio and source control via 2 way IR, RS-232 pass-through, from eight HDMI sources to eight HDBaseT outputs over single CAT5e/6/7 cable (up to 100m) for each output. It supports high resolution digital audio formats such as LPCM 7.1CH, Dolby TrueHD, Dolby Digital Plus and DTS-HD Master Audio as well as 3D content that can be displayed when connecting a 3D source and 3D display.

Additionally, the LAN connectivity will allow a 100BaseT network to be served to smart TVs or games consoles. The Power over Cable (PoC) function can power compatible receivers, providing greater flexibility in installations.

- HDMI, HDCP 1.1 and DVI compliant
- Supports resolutions VGA-WUXGA and 480i-1080p/4K2K dependent upon the output display's EDID settings
- Supports 3D signal display dependent upon the output display EDID settings
- Supports LPCM 7.1CH, Dolby TrueHD, Dolby Digital Plus and DTS-HD Master Audio transmission
- Supports distances up to 100 meters through CAT6/7 cables
- Supports HDMI input up to 15 meters at 8-bit resolution or 10 meters at 12-bit resolution



- Supports LAN serving function through the LAN port
- Supports PoC (Power over Cable) on compatible receivers only
- Supports bi-directional IR from input and output locations
- Supports RS-232, remote control, on-panel control and IP Control (Telnet & Web GUI)
- Supports external and internal EDID settings

P/N	Inputs	Outputs	4K	3D	HD Audio	IR	RS-232	Ethernet	PoC	Cable Length	HDCP
CMPRO-U4H4CVE	4xHDMI	4xCAT5e/6/7	Yes	Yes	Yes	Yes	Yes	Yes	Yes	100m (328ft)	Yes
CMPRO-U8H8CVE	8xHDMI	8xCAT5e/6/7	Yes	Yes	Yes	Yes	Yes	Yes	Yes	100m (328ft)	Yes

8x8 / 4x4 HDMI over CAT5e/6/7 Matrix with 48V PoE

CMSI-18H8CVE

The HDBaseT™ 8 by 8 HDMI over CAT5e/6/7 Matrix supports the transmission of video (resolutions up to 1080p Full HD and 1920x1200@60Hz), multi-channel digital audio and control via IR, RS-232 or Telnet and Web GUI from eight high definition sources to eight outputs over a single CAT5e/6/7 cable (up to 100m) for each output. It supports high resolution digital audio formats such as LPCM 7.1CH, Dolby TrueHD, Dolby Digital Plus and DTS-HD Master Audio as well as 3D content that can be displayed when connecting a 3DTV and 3D source. Power over Ethernet (PoE) support means that compatible receivers do not need their own power supplies allowing for greater flexibility in installations and LAN serving allows devices such as Smart TVs to be connected to the network.



- HDMI, HDCP 1.1 and DVI compliant
- Supports HDMI 3D features for compatible sources and displays
- Supports PC resolutions of VGA to WUXGA and HDTV resolutions of 480i to 1080p dependent upon the output display's resolution capabilities
- Supports distances of up to 100m for industry standard CAT5e/6/7 cables
- Supports PoE (Power over Ethernet) on compatible receivers only
- Supports HDMI input up to 15 meters at 8-bit resolution or 10 meters at 12-bit resolution

- Supports bi-directional IR passthrough from the source and display locations
- Supports control of the matrix via RS-232, IR remote control, on-panel buttons and IP Control (Telnet/Web GUI)
- Supports LAN serving to all compatible HDBaseT Receiver
- Supports selection of Standard (Fixed) or TV (Downstream) EDID settings
- Supports pass-through of High-definition Audio: LPCM 7.1CH, Dolby TrueHD, Dolby Digital Plus and DTS-HD Master Audio transmission

P/N	Inputs	Outputs	4K	3D	HD Audio	IR	RS-232	Ethernet	PoC	Cable Length	HDCP
CMSI-18H8CVE	8xHDMI	8xCAT5e/6/7	-	Yes	Yes	Yes	Yes	Yes	Yes	100m (328ft)	Yes

8x8 HDMI over CAT5e/6/7 Matrix with LAN Serving CMSI-8H8CVE

The CMSI-8H8CVE HDBase™ Matrix supports the transmission of video (resolutions up to 1080p Full HD and 1920x1200@60 Hz), multi-channel digital audio and control via IR, RS-232 or Telnet and Web GUI from eight high definition sources to eight outputs over a single CAT5e/6/7 cable (up to 100m) for each output. It supports high resolution digital audio formats as well as 3D content that can be displayed when connecting a 3DTV and 3D source. Power over Cable (PoC) support means that compatible receivers do not need their own power supplies allowing for greater flexibility in installations and LAN serving allows devices such as Smart TVs to be connected to the network.

- HDMI, HDCP 1.1 and DVI compliant
- Supports HDMI 3D features
- Resolutions support VGA to WUXGA (RB) or 480i to 1080p and 3D signal dependent upon the output display's EDID settings
- Supports bi-directional IR from input and output locations
- Controls via RS-232, remote controller, on-panel buttons or IP (Telnet or Web GUI)
- Supports PoE on compatible receivers only
- Supports LAN serving function through the LAN port
- Supports external and internal EDID settings
- Supports LPCM 7.1CH, Dolby TrueHD, Dolby Digital Plus and DTS-HD Master Audio transmission



P/N	Inputs	Outputs	4K	3D	HD Audio	IR	RS-232	Ethernet	PoC	Cable Length	HDCP
CMSI-8H8CVE	8xHDMI	8xCAT5e/6/7	-	Yes	Yes	Yes	Yes	Yes	Yes	100m (328ft)	Yes

8x8 / 4x4 HDMI over CAT5e/6/7 Matrix CMSI-8H8CV / CMSI-4H4CV

The HDBase™ 8 by 8 or 4 by 4 HDMI Matrix over CAT5e/6/7 supports the transmission of video (resolutions up to 1080p Full HD and 1920x1200@60Hz), multi-channel digital audio and control via IR, RS-232, Telnet or Web GUI from four or eight high definition sources to eight outputs over a single CAT5e/6/7 cable (up to 100m) for each output. It supports high resolution digital audio formats such as LPCM 7.1CH, Dolby TrueHD, Dolby Digital Plus and DTS-HD Master Audio as well as 3D content that can be displayed when connecting a 3DTV and 3D source. Power over Cable (PoC) support means that compatible receivers do not need their own power supplies, allowing for greater flexibility in installations.

- HDMI, HDCP1.1 and DVI compliant
- Supports HDMI 3D features
- Supports resolutions VGA-WUXGA and 480i-1080p dependent upon the output display's EDID settings
- Supports 3D signal display dependent upon the output display EDID settings
- Supports PoC (Power over Cable) on compatible receivers only
- Supports HDMI input up to 15 meters at 8-bit resolution or 10 meters at 12-bit resolution
- Supports bi-directional IR from input and output locations



• CMSI-8H8CV

- Supports RS-232, remote control, on-panel control and IP Control (Telnet & Web GUI)
- Supports external and internal EDID settings
- Supports LPCM 7.1CH, Dolby TrueHD, Dolby Digital Plus and DTS-HD Master Audio transmission

P/N	Inputs	Outputs	4K	3D	HD Audio	IR	RS-232	Ethernet	PoC	Cable Length	HDCP
CMSI-4H4CV	4xHDMI	4xCAT5e/6/7	-	Yes	Yes	Yes	Yes	-	Yes	100m (328ft)	Yes
CMSI-8H8CV	8xHDMI	8xCAT5e/6/7	-	Yes	Yes	Yes	Yes	-	Yes	100m (328ft)	Yes

4x8 HDMI over HDMI and CAT5e/6/7 Matrix

CMSI-48E

This HDBaseT™ 4 by 8 Matrix enables the switching and distribution of four HDMI sources, allowing independent routing to any of its eight outputs. Designed for the maximum of flexibility in local and remote connectivity that is required in AV system integration, this model is equipped with four HDMI outputs and four CAT5e/6/7 outputs which benefit from the latest HDBaseT features which include the transmission of High Definition video and audio, bi-directional IR control, RS-232 passthrough, Power over Cable (PoC) and LAN serving to compatible HDBaseT receivers over a single industry standard CAT5e/6/7 cable (for each output) up to 100 meters. It has the added benefit of control via IR remote control, RS-232, IP/Telnet and Web GUI, with all information including system status presented on its comprehensive LCD display.

- Supports PC resolutions of VGA to WUXGA and HDTV resolutions of 480i to 1080p dependent upon the output display's resolution capabilities
- Supports distances of up to 100m for industry standard CAT5e/6/7 cables
- Supports bi-directional IR passthrough from the source and display locations
- Supports selection of Standard (Fixed) or TV (Downstream) EDID settings



- Supports HDMI 3D features for compatible sources and displays
- Supports transmission of High Definition audio: LPCM 7.1CH, Dolby TrueHD, Dolby Digital Plus and DTS-HD Master Audio
- Supports control of the matrix via RS-232, IR remote control, onpanel buttons and IP Control (Telnet & WebGUI)
- Supports Power over Cable (PoC) to compatible HDBaseT receiver units
- Supports LAN serving to all compatible HDBaseT receivers

P/N	Inputs	Outputs	4K	3D	HD Audio	IR	RS-232	Ethernet	PoC	Cable Length	HDCP
CMSI-48E	4xHDMI	4xHDMI, 4xCAT5e/6/7	-	Yes	Yes	Yes	Yes	Yes	Yes	100m (328ft)	Yes

4x4 HDMI over CAT5e/6/7 Matrix with 2 Simultaneous HDMI Outputs

CMSI-424E

The HDBaseT™ 4 by 4 HDMI Matrix over CAT5e/6/7 with two additional simultaneous HDMI outputs supports the transmission of video (resolutions up to 1080p Full HD and 1920x1200@60Hz), multi-channel digital audio and control via IR, RS-232 or Web GUI/Telnet IP from four high definition sources to four HDBaseT outputs over a single CAT5e/6/7 cable (up to 100m) for each output. Output A and C have additional mirrored HDMI outputs.

It supports high resolution digital audio formats such as LPCM 7.1 CH, Dolby TrueHD, Dolby Digital Plus and DTS-HD Master Audio as well as 3D content that can be displayed when connecting a 3DTV and 3D source. Power over Cable (PoC) support means that compatible receivers do not need their own separate power supplies, allowing for greater flexibility in installations and the LAN serving function allows devices such as Smart TVs to be connected to the network/internet.

- HDMI, HDCP 1.1 and DVI compliant
- Supports HDMI 3D features
- Supports resolutions VGA-WUXGA and 480i-1080p dependent upon the output display's EDID settings
- Supports distances up to 100 meters through CAT6/7 cables and 80m for CAT5e
- Supports 3D signal display dependent upon the output display's EDID settings
- Supports LAN serving function through the LAN port



- Supports simultaneous HDMI and CAT 5e/6/7 display on outputs A and C
- Supports PoC (Power over Cable) on compatible receivers only
- Supports HDMI input up to 15 meters at 8-bit resolution or 10 meters at 12-bit resolution
- Supports bi-directional IR from input and output locations
- Supports RS-232, remote control, on-panel control and IP Control (Telnet or Web GUI)
- 1U size design
- Supports external and internal EDID settings
- Supports LPCM 7.1CH, Dolby TrueHD, Dolby Digital Plus and DTS-HD Master Audio transmission

P/N	Inputs	Outputs	4K	3D	HD Audio	IR	RS-232	Ethernet	PoC	Cable Length	HDCP
CMSI-424E	4xHDMI	2xHDMI, 4xCAT5e/6/7	-	Yes	Yes	Yes	Yes	Yes	Yes	100m (328ft)	Yes

HDBaseT 70m Matrix

8x8 / 4x4 HDMI 4K UHD over CAT5e/6/7 Matrix

CMPRO-U8H8CVPL / CMPRO-U4H4CVPL

This 4K2K capable HDBaseT™ 8 by 8 HDMI Matrix supports the transmission of video (resolutions up to 1080p/4K2K), multi-channel digital audio and source control via 2 way IR, RS-232 pass-through, from four HDMI sources to four HDBaseT outputs over a single CAT5e/6/7 cable (up to 70m) for each output. It supports high resolution digital audio formats such as LPCM 7.1CH, Dolby TrueHD, Dolby Digital Plus and DTS-HD Master Audio as well as 3D content that can be displayed when connecting a 3D source and 3D display.

- HDMI, HDCP1.1 and DVI compliant
- Supports PC resolutions of VGA to WUXGA and HDTV resolutions up to 4K2K dependent upon the output display's resolution
- Supports HDMI 3D features for compatible sources and displays
- Supports distances of up to 70 meters for industry standard CAT5e/6/7 cables
- Supports HDMI cable input length up to 15 meters at 8-bit color depth or 10 meters at 12-bit color depth
- Supports bi-directional IR pass-through from the source and display locations
- Supports control of the matrix via RS-232, IR remote control, on-panel buttons and IP Control (Telnet & Web GUI)



- Supports selection of Standard (Fixed) or TV (Downstream) EDID settings
- Supports transmission of High-definition Audio: LPCM 7.1CH, Dolby TrueHD, Dolby Digital Plus and DTS-HD Master Audio transmission

P/N	Inputs	Outputs	4K	3D	HD Audio	IR	RS-232	Ethernet	PoC	Cable Length	HDCP
CMPRO-U4H4CVPL	4xHDMI	4xCAT5e/6/7	Yes	Yes	Yes	Yes	Yes	-	Yes	70m (230ft)	Yes
CMPRO-U8H8CVPL	8xHDMI	8xCAT5e/6/7	Yes	Yes	Yes	Yes	Yes	-	Yes	70m (230ft)	Yes

8x8 HDMI over CAT5e/6/7 Matrix

CMSI-8H8CVL / CMSI-4H4CVL

The HDBaseT™ 8 by 8 HDMI Matrix over CAT5e/6/7 supports the transmission of video (resolutions up to 1080p Full HD and 1920x1200@60Hz), multi-channel digital audio and control via IR, RS-232, Telnet or Web GUI from eight high definition sources to eight outputs over a single CAT5e/6/7 cable (up to 70m) for each output. It supports high resolution digital audio formats such as LPCM 7.1CH, Dolby TrueHD, Dolby Digital Plus and DTS-HD Master Audio as well as 3D content that can be displayed when connecting a 3D TV and 3D source.

- HDMI, HDCP1.1 and DVI compliant
- Supports HDMI 3D features
- Supports resolutions VGA-WUXGA and 480i-1080p dependent upon the output display's EDID settings
- Supports distances up to 70 meters through CAT5e/6/7 cables
- Supports 3D signal display dependent upon the output display EDID settings
- Supports HDMI input up to 15 meters at 8-bit resolution or 10 meters at 12-bit resolution
- Supports bi-directional IR from input and output locations



- Supports RS-232, remote control, on-panel control and IP Control (Telnet & Web GUI)
- 2U size design
- Supports external and internal EDID settings
- Supports LPCM 7.1CH, Dolby TrueHD, Dolby Digital Plus and DTS-HD Master Audio transmission

P/N	Inputs	Outputs	4K	3D	HD Audio	IR	RS-232	Ethernet	PoC	Cable Length	HDCP
CMSI-4H4CVL	4xHDMI	4xCAT5e/6/7	-	Yes	Yes	Yes	Yes	-	-	70m (230ft)	Yes
CMSI-8H8CVL	8xHDMI	8xCAT5e/6/7	-	Yes	Yes	Yes	Yes	-	-	70m (230ft)	Yes

4x6 HDMI over HDMI and CAT5e/6/7 Matrix

CMSI-46PL

This HDBaseT™ 4 by 6 Matrix enables the switching and distribution of four HDMI sources, allowing independent routing to any of its six outputs. Designed for the maximum of flexibility in local and remote connectivity that is required in AV system integration, this model is equipped with two HDMI outputs and four CAT5e/6/7 outputs which benefit from the latest HDBaseT features which include the transmission of High Definition video and audio, bi-directional IR control, RS-232 passthrough and Power over Cable (PoC) to compatible HDBaseT receivers over a single industry standard CAT5e/6/7 cable (for each output) up to 70 meters. It has the added benefit of control via IR remote control, RS-232, IP/Telnet, with all information including system status presented on its comprehensive LCD display.

- Supports PC resolutions of VGA to WUXGA and HDTV resolutions of 480i to 1080p dependent upon the output display's resolution capabilities
- Supports distances up to 70 meters through CAT6/7 cables and 70m for CAT5e cables
- Supports HDMI 3D features for compatible sources and displays
- Supports bi-directional IR passthrough from the source and display locations



- Supports selection of Standard (Fixed) or TV (Downstream) EDID settings
- Supports transmission of high-definition audio: LPCM 7.1CH, Dolby TrueHD, Dolby Digital Plus and DTS-HD Master Audio
- Supports Power over Cable (PoC) to compatible HDBaseT receiver units

P/N	Inputs	Outputs	4K	3D	HD Audio	IR	RS-232	Ethernet	PoC	Cable Length	HDCP
CMSI-46PL	4xHDMI	2xHDMI, 4xCAT5e/6/7	-	Yes	Yes	Yes	Yes	-	Yes	70m (230ft)	Yes

4x4 HDMI Matrix over CAT5e/6/7 with 2 Simultaneous HDMI Outputs

CMSI-424L

The HDBaseT™ 4 by 4 HDMI Matrix over CAT5e/6/7 with two additional simultaneous HDMI outputs supports the transmission of video (resolutions up to 1080p Full HD and 1920x1200@60Hz), multichannel digital audio and control via IR, RS-232 or Web GUI/Telnet IP from four high definition sources to four HDBaseT outputs over a single CAT5e/6/7 cable (up to 70m) for each output. Output A and C have additional mirrored HDMI outputs.

It supports high resolution digital audio formats such as LPCM 7.1 CH, Dolby TrueHD, Dolby Digital Plus and DTS-HD Master Audio as well as 3D content that can be displayed when connecting a 3D TV and 3D source.

- HDMI, HDCP1.1 and DVI compliant
- Supports HDMI 3D features
- Supports resolutions VGA-WUXGA and 480i-1080p dependent upon the output display's EDID settings
- Supports distances up to 70 meters through CAT6/7 cables
- Supports 3D signal display dependent upon the output display's EDID settings
- Supports simultaneous HDMI and CAT 5e/6/7 display on outputs A and C



- Supports HDMI input up to 15 meters at 8-bit resolution or 10 meters at 12-bit resolution
- Supports bi-directional IR from input and output locations
- Supports RS-232, remote control, on-panel control and IP Control (Telnet or Web GUI)
- 1U size design
- Supports external and internal EDID settings
- Supports LPCM 7.1CH, Dolby TrueHD, Dolby Digital Plus and DTS-HD Master Audio transmission

P/N	Inputs	Outputs	4K	3D	HD Audio	IR	RS-232	Ethernet	PoC	Cable Length	HDCP
CMSI-424L	4xHDMI	2xHDMI, 4xCAT5e/6/7	-	Yes	Yes	Yes	Yes	-	-	100m (328ft)	Yes

HDMI Ultra HD Matrix

4x4 HDMI 4K UHD and Audio Matrix

CDPS-U4H4HSA

This 4 by 4 HDMI UHD and Audio Matrix allows HDMI and audio signals to be routed to and simultaneously displayed on any of its four connected HDMI displays and/or audio output equipment. The addition of audio selection and extension features allows users to utilize both video and audio more efficiently. Fast Switching technology can greatly reduce the time required to swap between inputs. It supports the latest HDMI features such as 4K2K, 3D, 36-bit Deep Color. All operation and control can be done via on-panel buttons, IR remote control, RS-232 or Ethernet protocol.

- HDMI (with 3D & 4K2K support), HDCP and DVI compliant
- Supports four HDMI inputs and four HDMI outputs
- Supports external audio inputs and outputs for HDMI outputs selection and additional audio extension up to 300m
- Displays any of four High-Definition sources on four HDTV displays simultaneously with Fast Switching technology
- Supports 3D signals
- Supports HDTV resolutions up to 4K2K (3840x2160@24/25/30/50/60Hz@YUV420 & 4096x2160@24/50/60Hz@YUV420)
- Supports data rates up to 340Mbps/10.2Gbps and 'Deep Color' up to 1080p 36-bit resolution



- EDID setting can be applied individually or globally on the input ports
- Supports LPCM 2CH, Dolby Digital 2~5.1CH and DTS 2~5.1CH
- HDMI inputs support 'Standard' and 'Apple' HDCP modes
- Supports MUTE function of Video and/or audio on each output port

P/N	Inputs	Outputs	4K	3D	ARC	HEC	Deep Color	HD Audio	CEC	EDID	HDCP
CDPS-U4H4HSA	4xHDMI	4xHDMI	Yes	Yes	-	-	Yes	Yes	-	Yes	Yes

6x2 HDMI 4K UHD Matrix

CDPS-6H2HFS

The 6 by 2 HDMI Matrix allows HDMI signals to be routed from any of the six connected HDMI sources for display on two connected HDMI displays. With fast switching technology this device dramatically improves the sync time to the connected HDMI displays over traditional switchers.

In Matrix Mode, it allows any source to be routed independently to any output. An on-board EDID management tool (via on screen display) can be utilised for advanced audio and video signal management. In addition, this switcher also includes a cutting edge Picture in Picture (PIP) preview mode allowing the user to show 5 unselected HDMI sources in a row of small windows overlaid on top of the primary selected HDMI source video.

In Preview mode, both HDMI outputs show identical feeds. Further features include the ability to de-embed Hi-Definition lossless audio via a dedicated Optical output for each HDMI output, 4K resolution support, and 3D signal support.

- HDMI, HDCP 1.1, DVI compliant
- Resolutions supported: HDTV - 480i to 1080p plus 1080p24fps, and 4K2K; PC - VGA to WUXGA
- High Definition audio supported: Dolby TrueHD, Dolby Digital Plus, DTS-HD Master Audio + 7.1 Channel LPCM
- RS-232, Telnet or IP Control, IR Remote Control (supplied), Web GUI Control
- Supports audio extraction from HDMI input to Optical output, input audio sampling rate up to 192 kHz



- Ability to switch between any two sources within 1 second
- Built-in EDID Management
- Supports 3D and 4K signals
- Cutting edge Picture in Picture preview function:
- When in Preview mode, the system will be treated as a Switcher (two simultaneous HDMI outputs)
- In Preview mode, the unit supports 'View All' (1 Main video source and 5 Sub video sources) and 'PIP' (1 Main video source and 1 Sub video source). 3D and 4Kx2K sources inputs are not supported for subwindows

Note: View All is TDM (Time Division Multiplexing display)

P/N	Inputs	Outputs	4K	3D	ARC	HEC	Deep Color	HD Audio	CEC	EDID	HDCP
CDPS-6H2HFS	6xHDMI	2xHDMI	Yes	Yes	-	-	Yes	Yes	-	Yes	Yes

4x4 / 4x2 HDMI 4K UHD Matrix

CMPRO-4H4H / CMPRO-4H2H

The CMPRO-4H4H/CMPRO-4H2H Matrixes are 4 by 4 and 4 by 2 HDMI Matrixes which allow HDMI signal from any of their four sources to be routed to and displayed on any of four/two connected HDMI displays simultaneously. With fast switching technology the device can greatly eliminate the time required by swapping or turning on/off the connected displays. It supports 3D, 3Gbps bandwidth, 12-bit Deep Color, Hi-Def lossless audio and other features defined by HDMI specifications. The management of source/sink scenarios can be operated easily through on-panel buttons, IR remote controller, RS-232 or Web GUI control.



• CMPRO-4H4H

- Supports HDTV resolutions up to 4K2K@30 Hz
- Supports LPCM 7.1CH, Dolby TrueHD, and DTS-HD Master Audio
- Supports 1080p@60 Hz, Deep Color 48/36/30/24-bit
- Supports Internal/External EDID
- Supports IR, RS-232, and Web GUI controls

P/N	Inputs	Outputs	4K	3D	ARC	HEC	Deep Color	HD Audio	CEC	EDID	HDCP
CMPRO-4H2H	4xHDMI	2xHDMI	Yes	Yes	-	-	Yes	Yes	-	Yes	Yes
CMPRO-4H4H	4xHDMI	4xHDMI	Yes	Yes	-	-	Yes	Yes	-	Yes	Yes

HDMI Full HD Matrix

4x4 HDMI Seamless Switching Matrix

CDPS-44SM

The CDPS-44SM is an advanced 4-way HDMI switch with integrated Multi-view POP (Picture -out-of Picture) technology. This plug and play solution offers advanced control and display options for the integration of 4 sources onto 4 displays. It provides 3 output modes, Matrix, Dual and TV Wall. Matrix mode can route and switch just like a normal matrix, the Dual mode allows 2 sets of 2 selected sources to be displayed in a Picture-out-of-Picture configuration and the TV Wall mode displays a selected source over 4 displays as if it were a single video image.

The device supports resolutions up to WUXGA@60 (RB) and 1080p@60 Hz, audio formats up to 7.1CH LPCM at 192 kHz sampling rate based on the source EDID. It has the added benefit of control through IR, remote control, Telnet/IP, RS-232 or front panel buttons.



- HDMI, HDCP1.1 and DVI compliant
- Supports Deep Color 8/10/12-bit
- Seamless switching of HDMI sources
- Supports three different display modes: Matrix, Dual, Video Wall:
 - **Matrix Mode:** Can seamlessly switch between and output from any 4 sources to any 4 displays, as per a normal matrix switch
 - **Dual Mode:** Can display a POP (Picture-out-of-Picture) image combined from 2 sources to be presented on the HDMI output ports (Dual A and

Dual B)

- **Video Wall Mode:** Can split a single source to 4 displays e.g a 2 by 2 Video wall as a full image with adjustable Bezel Correction
- Supports control via On-screen Display (OSD), RS-232, Telnet (IP), IR Remote control and on-panel controls
- Supports Input resolutions of VGA-WUXGA and 480i-1080p
- Supports Output resolutions of 480p-1080p
- Supports different input resolution and output resolution selectable from the OSD menu. The default setting for the output resolution is 720p@60Hz/2CH LPCM
- Supports High definition Audio formats: LPCM 2CH/6CH/8CH, Dolby Digital, DTS, Dolby Digital Plus, Dolby TrueHD and DTS-HD Master Audio

P/N	Inputs	Outputs	4K	3D	ARC	HEC	Deep Color	HD Audio	CEC	EDID	HDCP
CDPS-44SM	4xHDMI	4xHDMI	-	-	-	-	Yes	Yes	-	Yes	Yes

8x8 HDMI Matrix

CMSI-8H8HS

The 8x8 HDMI Matrix supports the transmission of Video (up to 1080p Full HD/1920x1200@60 Hz) with multichannel digital audio from up to eight high definition sources to up to eight HDMI outputs and allowing any source to be independently displayed on any monitor. Also, the unit can be controlled via IR, RS-232, Telnet or the front panel button controls.

- HDMI, HDCP 1.1 and DVI compliant
- Supports HDMI features including 3D
- Supports LPCM 7.1CH, Dolby TrueHD, Dolby Digital Plus and DTS-HD Master Audio transmission
- Supports resolutions VGA-WUXGA and 480i-1080p dependent upon the output display's EDID settings
- Supports 3D signal display dependent upon the output display's EDID settings
- Supports HDMI input up to 15 meters at 8-bit resolution or 10 meters at 12-bit resolution and HDMI output up to 15 meters at 8-bit/12-bit
- Supports IR extension
- Supports RS-232, remote control, on-panel control and IP Control (Telnet)
- 2U size design



P/N	Inputs	Outputs	4K	3D	ARC	HEC	Deep Color	HD Audio	CEC	EDID	HDCP
CMSI-8H8HS	8xHDMI	8xHDMI	-	Yes	-	-	Yes	Yes	-	Yes	Yes

4x4 HDMI Matrix

CMLUX-44E

The CMLUX-44E is the ideal solution for connecting all your HDMI devices, and thanks to the included remote this system gives you complete control over your media environment. Furthermore, the HDMI Matrix can transfer Deep Color video and bit stream digital audio with maximum performance and also supports HDMI v1.3, HDCP 1.1 and DVI 1.0. Please follow this manual to begin enjoying the benefits of your HDMI Matrix. We suggest keeping it in a safe place for future reference. Multi-source input with multi-display output control.

- Deep Color Mode and a new lossless compressed digital audio
- Has LED input source indicators for each output option
- PC and HDTV resolutions from VGA to UXGA and 480i to 1080p
- Controls via RS-232, IR remote controller and IR extender
- Supports LPCM 7.1CH, Dolby TrueHD, Dolby Digital Plus and DTS-HD Master Audio transmission
- HDMI cable distance 1080p 12-bit I/O up to 15/15 meters away
- High performance Matrix with four inputs and four outputs
- When the HDMI signal passes through the system it is Re-timed and level compensated to preserve signal
- Switchable EDID function for choosing EDID to display



P/N	Inputs	Outputs	4K	3D	ARC	HEC	Deep Color	HD Audio	CEC	EDID	HDCP
CMLUX-44E	4xHDMI	4xHDMI	-	Yes	-	-	Yes	Yes	-	Yes	Yes

4x4 / 4x2 / 2x4 / 2x2 HDMI Matrix

CMLUX-44S / CMLUX-42S / CMLUX-24S / CMLUX-22S

The 4 by 4 / 4 by 2 / 2 by 4 / 2 by 2 HDMI Matrix with HD Audio/3D series provides the excellent solution for connecting all the devices and sources together for your convenience use, it also provides you a variety of choices on where to play your images with remote controller. The HDMI matrix can transfer Deep Color video and bit stream digital audio with maximum performance and it supports HDMI ,HDCP and DVI. High performance HDMI Matrix of four input and four output with remote control for you to link with your favorite HDMI devices to enjoying movies, music, or games at once. When HDMI signal progresses through the system, it is re-timed, and level-compensated. Define HDCP, HDMI and DVI source. The LED light will light up to define the input sources format. Switchable EDID function for choosing the native resolution to display.



• CMLUX-44S

- Deep Color 12 bit and new lossless compressed digital audio
- The HDMI input is compensated, clock/phase adjusted, and jitter eliminated so the output is a brand new standard HDMI signal
- Compatible with all HDMI sources and displays
- PC and HDTV resolutions from VGA to UXGA and 480i to 1080p
- Supports RS-232 control
- Supports IR remote control and IR extender
- Supports LPCM 7.1CH, Dolby TrueHD, Dolby Digital Plus and DTS-HD Master Audio transmission

P/N	Inputs	Outputs	4K	3D	ARC	HEC	Deep Color	HD Audio	CEC	EDID	HDCP
CMLUX-22S	2xHDMI	2xHDMI	-	-	-	-	Yes	Yes	-	Yes	Yes
CMLUX-24S	2xHDMI	4xHDMI	-	Yes	-	-	Yes	Yes	-	Yes	Yes
CMLUX-42S	4xHDMI	2xHDMI	-	Yes	-	-	Yes	Yes	-	Yes	Yes
CMLUX-44S	4xHDMI	4xHDMI	-	Yes	-	-	Yes	Yes	-	Yes	Yes

4x4 / 2x4 / 2x2 HDMI Matrix

CHMX-44 / CHMX-24 / CHMX-22

The 4 by 4 / 4 by 2 / 2 by 4 / 2 by 2 HDMI Matrix series is a high performance HDMI Matrix with remote control. It offers you maximum convenience in HDMI signal distribution when you have multiple HDMI sources and displays to connect together. Each of the four HDMI sources can be directed to any one of the four HDMI displays so each can show different sources. When HDMI signal progresses through CHMX-44, it is re-timed, and level-compensated, so the output is a regenerated HDMI signal that can travel for another 25 meters. It can also be cascaded to multiple tiers.



• CHMX-44

- HDMI input is compensated, clock/phase adjusted, and jitter eliminated so the output is a brand new standard HDMI signal
- Input source LED indicators on each output select
- Ideal for home theater integration, conference room and retail stores
- Compatible with all HDMI sources and displays
- Supports high resolution input/output:
 - PC: VGA, SVGA, XGA, SXGA and UXGA (1600x1200)
 - TV: 480i, 576i, 480p, 576p, 1080i, and 1080p
- RS-232 control
- IR remote control

P/N	Inputs	Outputs	4K	3D	ARC	HEC	Deep Color	HD Audio	CEC	EDID	HDCP
CHMX-22	2xHDMI	2xHDMI	-	-	-	-	-	-	-	Yes	Yes
CHMX-24	2xHDMI	4xHDMI	-	-	-	-	-	-	-	Yes	Yes
CHMX-44	4xHDMI	4xHDMI	-	-	-	-	-	-	-	Yes	Yes

CAT6 Matrix

8x8 HDMI Matrix with 8 Simultaneous Dual CAT6 Outputs

CMSI-8H8HC

The 8x8 HDMI Matrix with simultaneous CAT6 and HDMI outputs connects eight HDMI sources to 16 displays. This matrix features 8 HDMI outputs and each HDMI output is mirrored to provide a Dual-CAT-Cable output which runs simultaneously. Connect a CH-1106RX Receiver to each of the Dual-CAT-Cable outputs to extend the HDMI signal up to 45m for multi-room connectivity. This matrix switcher can be controlled via the supplied IR Remote Control, RS-232, Telnet, Web GUI or by using the selection buttons on the front panel. This device supports 'Deep Color', High Definition Audio, and 3D signal compatibility.



- HDMI, HDCP 1.1 and DVI compliant
- Supports HDMI 3D pass-through
- Supports resolutions from VGA~WUXGA@60RB and HD resolutions from 480i-1080p dependent upon the display's EDID settings
- Supports transmission distances up to 45 meters through Dual CAT6 cables
- Supports 3D signal display dependent upon the display's EDID settings
- Supports simultaneous HDMI and CAT6 outputs
- Supports HDMI input up to 15 meters at 8-bit resolution or 10 meters at 12-bit resolution; CAT6 output up to 45 meters at 8-bit resolution
- Supports IR pass-back through CAT6 for source control



- Supports RS-232, remote control, on-panel control and IP Control (Telnet & Web GUI)
- 2U size design
- Supports external and internal EDID settings
- Supports LPCM 7.1CH, Dolby TrueHD, Dolby Digital Plus and DTS-HD Master Audio transmission

P/N	Inputs	Outputs	4K	3D	ARC	HEC	Deep Color	HD Audio	CEC	EDID	HDCP
CMSI-8H8HC	8xHDMI	8xHDMI, 8xDual CAT6	-	Yes	-	-	Yes	Yes	-	Yes	Yes

4x4 HDMI over Dual CAT6/7 Matrix

CMLUX-4H4CAT

The CMLUX-4H4CAT is a high performance device, boasting features such as a remote control, IR blaster and IR receiver. Compatible with Deep Color Video and high definition digital audio, this device has the ability to direct any of its four HDMI sources to any of the four HDMI displays, with each display showing a different source. CAT 6 cables for long operating distance (50m or 45m at 1080p 8 bits). Four individual output IR blasters for controlling input sources.



- Deep Color Video of up to 36 bits (12 bits/color)
- Dolby True HD, Dolby Digital Plus and DTS-HD Master Audio digital audio
- When the HDMI signal passes through this device it is compensated, clock/phase adjusted and jitter free
- Supports PC and HDTV resolutions from VGA to UXGA and 480i to 1080p
- Supports RS-232 control and IR remote control with an IR extender and blaster



P/N	Inputs	Outputs	4K	3D	ARC	HEC	Deep Color	HD Audio	CEC	EDID	HDCP
CMLUX-4H4CAT	4xHDMI	4xDual CAT6	-	Yes	-	-	Yes	Yes	-	Yes	Yes

DVI Matrix

8x8 DVI Matrix with 3.5mm Audio

CMSI-8D8DSA

The 8 by 8 DVI Matrix with Audio is the perfect choice for the switching and distribution of DVI sources. Connect up to eight DVI sources to eight DVI displays allowing any source to be independently displayed on any monitor. Each DVI input and output has a corresponding 3.5mm mini-jack connection allowing for audio to be distributed. The Matrix can be controlled via its front panel, IR, RS-232 or Telnet over IP. The matrix supports a full range of PC and HDTV timings up to WUXGA and 1080p, 2.25Gbps bandwidth, 12-bit Deep Color, and 3D.

- HDMI, HDCP 1.1 and DVI compliant
- Supports HDMI 3D feature (with HDMI to DVI adaptor cable)
- Supports resolutions to VGA - WUXGA and 480i-1080p dependent upon the output display's EDID settings
- Supports stereo audio input and output via 3.5mm mini-jack cables
- Supports 3D signal dependent upon the output display's EDID settings
- Supports IR extension
- Supports RS-232, remote control, on-panel control and IP Control (Telnet)
- 2U size design



P/N	Inputs	Outputs	4K	3D	ARC	HEC	Deep Color	HD Audio	CEC	EDID	HDCP
CMSI-8D8DSA	8x DVI	8x DVI	-	Yes	-	-	Yes	Yes	-	Yes	Yes

8x8 DVI Matrix

CMSI-8D8DS

The 8 by 8 DVI Matrix is the perfect choice for the switching and distribution of DVI sources. Connect up to eight DVI sources to eight DVI displays allowing any source to be independently displayed on any monitor. The Matrix can be controlled via its front panel, IR, RS-232 or Telnet over IP. The matrix supports a full range of PC and HDTV timings up to WUXGA and 1080p, 2.25Gbps bandwidth, 12-bit Deep Color, and 3D.

- HDMI, HDCP 1.1 and DVI compliant
- Supports HDMI 3D feature (with HDMI to DVI adaptor cable)
- Supports resolutions to VGA - WUXGA and 480i-1080p dependent upon the output display's EDID settings
- Supports 3D signal dependent upon the output display's EDID settings
- Supports IR extension
- Supports RS-232, remote control, on-panel control and IP Control (Telnet)
- 2U size design



P/N	Inputs	Outputs	4K	3D	ARC	HEC	Deep Color	HD Audio	CEC	EDID	HDCP
CMSI-8D8DS	8x DVI	8x DVI	-	Yes	-	-	Yes	Yes	-	Yes	Yes

3G-SDI Matrix

16x16 3G-SDI Modularized Matrix

CMSDI-1616S

The CMSDI-1616S Matrix can switch and distribute up to sixteen SDI sources to any sixteen SDI sinks, providing bandwidth up to 2.970 Gb/s for 3G-SDI video support. In addition, this matrix also features IP control allowing users to access and control the matrix remotely.

- Supports SDI input/output video formats:
 - SD-SDI (SMPTE 259M-C, at bitrates of 270 Mbit/s)
 - HD-SDI (SMPTE 292M, at bitrates of 1.485Gbit/s and 1.485/1.001 Gbit/s)
 - 3G-SDI (SMPTE 424M/425M-A and B, at bitrates of 2.970 Gbit/s and 2.970/1.001 Gbit/s)
- Signal equalized and re-clocked to improve signal transmission distances
- Supports signal input and output distances of up to 250m for SD-SDI signals, 200m for HD-SDI signals and 100m for 3GSDI signals
- Supports audio sampling rate at 48 kHz
- Connects with other units to extend your signal over longer distances
- 3U rack mountable design



P/N	Inputs	Outputs	4K	3D	ARC	HEC	Deep Color	HD Audio	CEC	EDID	HDCP
CMSDI-1616S	16xSDI	16xSDI	-	-	-	-	-	-	-	-	-
CIN-4OF	4xOptical Fiber	-	-	-	-	-	-	-	-	-	-
CIN-4S	4xSDI	-	-	-	-	-	-	-	-	-	-
COUT-2H2S	-	2xHDMI, 2xSDI	-	-	-	-	-	-	-	-	-
COUT-4OF	-	4xOptical Fiber	-	-	-	-	-	-	-	-	-
COUT-4S	-	4xSDI	-	-	-	-	-	-	-	-	-

16x4 / 12x4 / 8x4 / 4x4 3G-SDI Matrix

CMSDI-164 / CMSDI-124 / CMSDI-84 / CMSDI-44

The 3G-SDI Matrix series allows SD-SDI, HD-SDI and 3G-SDI signals to be shown on SDI displays while ensuring high bit-rates of 2.970 Gbps to give you fast signal transmission without signal loss. For professionals, this means that it is now easier to switch multiple 3G-SDI signals and split display of them on up to four SDI-equipped displays simultaneously. Additionally, these units can be controlled with the supplied IR remote, the front panel keys or RS-232 control functions.

- 3G-SDI input sources can be selected and split or switched to four 3G-SDI displays simultaneously
- Operation at 2.970 Gbps, 2.970/1.001 Gbps, 1.485 Gbps, 1.485/1.001 Gbps and 270 Mbps
- Supports SMPTE 425M (Level A and Level B), SMPTE 424M, SMPTE 292M, SMPTE 259M-C
- Connect using other units to extend your signal over long distances
- Signal is equalized and re-clocked
- Supports signal input and output distances of up to 300m for SD signals, 200m for HD signals and 100m for 3G signals



• CMSDI-164

P/N	Inputs	Outputs	4K	3D	ARC	HEC	Deep Color	HD Audio	CEC	EDID	HDCP
CMSDI-44	4xSDI	4xSDI	-	-	-	-	-	-	-	-	-
CMSDI-84	8xSDI	4xSDI	-	-	-	-	-	-	-	-	-
CMSDI-124	12xSDI	4xSDI	-	-	-	-	-	-	-	-	-
CMSDI-164	16xSDI	4xSDI	-	-	-	-	-	-	-	-	-

Analog Video Matrix

4x4 Component Video Matrix with Coaxial Audio

CCMX-44DA

High performance Component Matrix with Digital/Analog Audio offers you maximum convenience in HDTV audio/video signal distribution when you have multiple sources to display. Each of the four HDTV audio/video sources can be directed to any one of the four outputs and or all four displays can show one identical output source at the same time. It provides a variety of choices on where to play your image with remote controller. Each input can be direct to any/all output. Audio format of Digital or Analog both acceptable.



- Provides 4 by 4 matrix input/output of Component (YPbPr/YCbCr) video and L/R & Coaxial digital audio signal
- Buffered video and audio output
- Input source LED indicators on each output select
- Ideal for home theater integration, conference room and retail stores
- Supports high resolution input/output
HDTV: 480i, 576i, 480p, 576p, 1080i, and 1080p
- Supports analog stereo L/R audio input and output
- Support Coaxial audio input and output
- IR remote control
- RS-232 control

P/N	Inputs	Outputs	4K	3D	ARC	HEC	Deep Color	HD Audio	CEC	EDID	HDCP
CCMX-44DA	4xComponent Video	4xComponent Video	-	-	-	-	-	-	-	-	-

4x4 / 4x2 Component Video Matrix

CCMX-44 / CCMX-42

The CCMX-44/CCMX-42 is a high performance Component + L/R Audio Matrix with remote control. It offers you maximum convenience in HDTV audio/video signal distribution when you have multiple sources and displays to connect together. Each of the four HDTV audio/ video sources can be directed to any one of the four outputs, so four displays can show 4 identical or 4 different sources at the same time.



• CCMX-44

- Provides 4 by 4 matrix input/output of Component (YPbPr/YCbCr) video and L/R audio signal
- Buffered video and audio output
- Supports HDTV resolution input/output: 480i, 576i, 480p, 576p, 1080i, and 1080p
- Supports analog stereo L/R audio input and output
- IR remote control
- RS-232 control

P/N	Inputs	Outputs	4K	3D	ARC	HEC	Deep Color	HD Audio	CEC	EDID	HDCP
CCMX-42	4xComponent Video	2xComponent Video	-	-	-	-	-	-	-	-	-
CCMX-44	4xComponent Video	4xComponent Video	-	-	-	-	-	-	-	-	-

Infrared Matrix

8×8 Bidirectional Infrared Matrix

CMIR-882

The Bi-directional Infrared Matrix is designed to work alongside the 8×8 HDMI matrix, providing control of up to 8 source devices from up to 8 display locations. Using the original or programmable remote controls, source devices such as DVD/Blu-ray players or satellite/set-top boxes can be controlled from any location.

- Supports independent IR input and output selection and control
- Supports an IR frequency range of 30 kHz~50 kHz
- Use your existing remote controls or programmable/universal remote controls
- Supports bi-directional IR from input and output locations
- Supports RS-232 control, IR remote control and on-panel control
- 1U size design

Note: This device does not support the sending of audio/video signals, it only transmits and receives infra-red signals.



P/N	Inputs	Outputs	4K	3D	ARC	HEC	Deep Color	HD Audio	CEC	EDID	HDCP
CMIR-882	(8+8+1)×IR Extender	(8+8+1)×IR Blaster	-	-	-	-	-	-	-	-	-

4×4 Infrared Matrix

CMIR-44

The 4 by 4 Infrared Matrix is designed to control up to four sources from four display locations, using the original remote or universal remote controls. You can control DVD/Blu-ray players, satellite and set-top boxes. A true matrix design allows any of the four inputs to be routed to any (or all) of the IR outputs giving full independent source to screen (or screen to source) control.

With the added benefit of an IR master input and output, which can be used to control an HDMI matrix, this product will allow you to fully control your sources and displays. Simply place the IR extender near the display and put the IR blaster in a position so that all devices will receive the IR signal. So, if you are looking for a way to extend the control of IR, The 4 by 4 Infrared Matrix is a great choice.

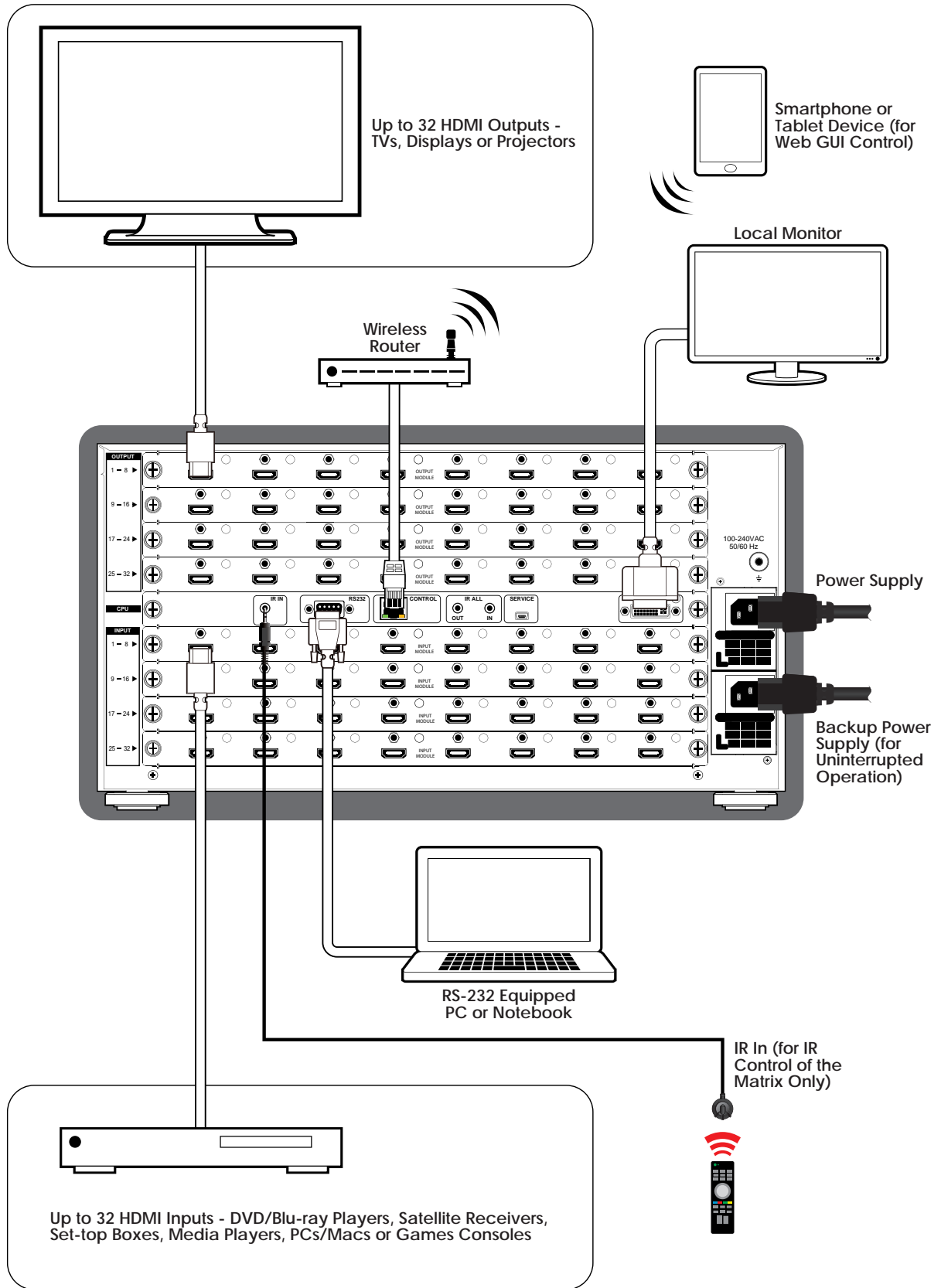
- Supports independent IR input and output selection and control
- Supports an IR frequency range of 30 kHz~50 kHz
- Use your existing remote controls or programmable/universal remote controls
- Supports IR remote control and on-panel control

Note: This device does not support the sending of audio/video signals, it only transmits and receives infra-red signals.



P/N	Inputs	Outputs	4K	3D	ARC	HEC	Deep Color	HD Audio	CEC	EDID	HDCP
CMIR-44	(4+1)×IR Extender	(4+1)×IR Blaster	-	-	-	-	-	-	-	-	-

CMSI-3232

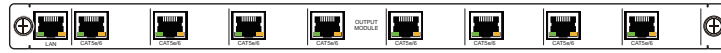


Note: In this example, 4 HDMI input modules and 4 HDMI output modules are used to create a 32x32 HDMI Matrix. Any combination of modules may be used to create the required matrix configuration e.g. 2xVGA and 2xDVI input modules to 4xHDBaseT outputs.

SCHEMATIC

CMSI-3232

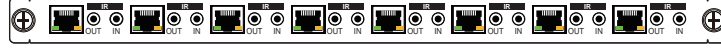
Output Modules:



COUT-8CV-5PLAY 8 port 4K UHD HDBaseT output module



COUT-8CV-4PLAY 8 port HDBaseT output module



COUT-8CVL-3PLAY 8 port HDBaseT output module



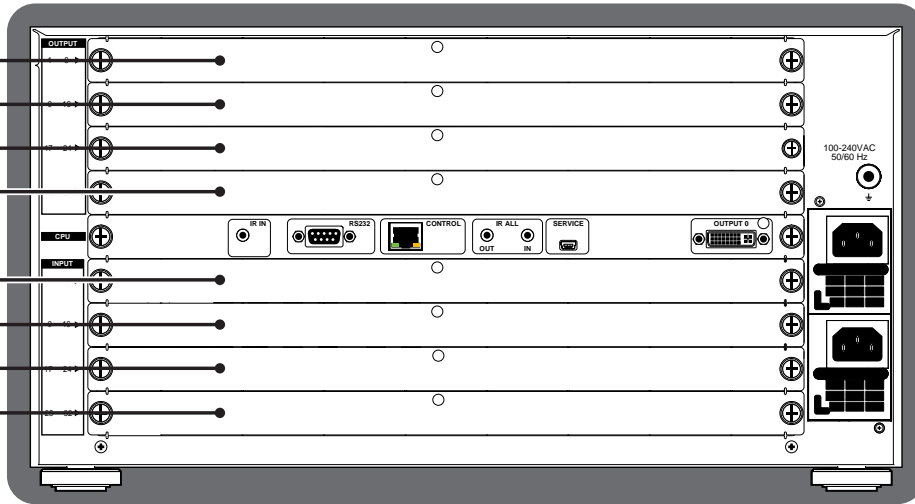
COUT-8DS 8 port DVI output module



COUT-8HS 8 port HDMI output module



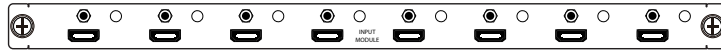
COUT-8HS4K 8 port 4K UHD HDMI output module



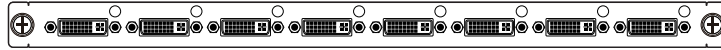
Input Modules:



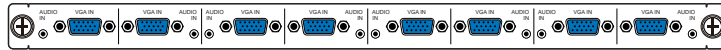
CIN-8HS4K 8 port 4K UHD HDMI input module



CIN-8HS 8 port HDMI input module



CIN-8DS 8 port DVI input module

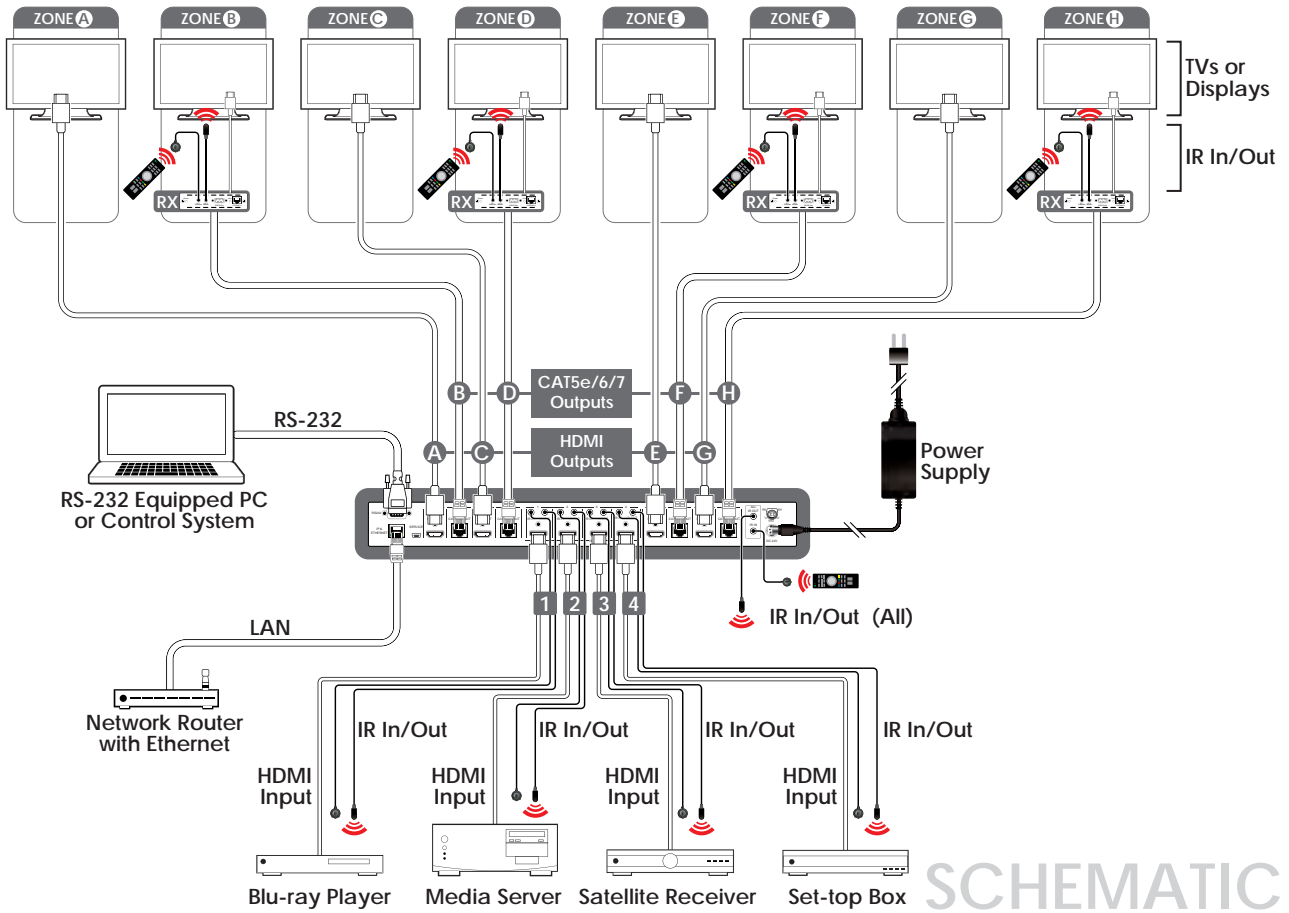


CIN-8VGA 8 port VGA input module



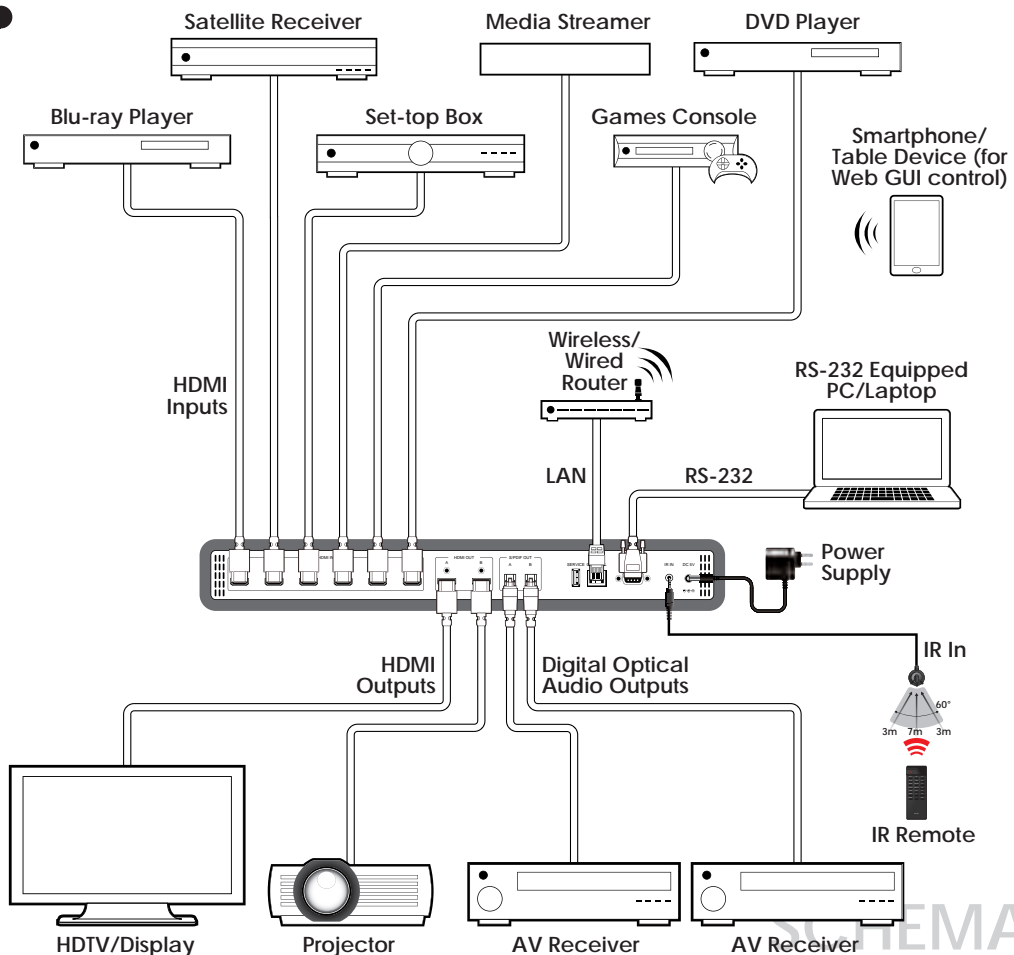
CIN-8CV-5PLAY 8 port 4K UHD HDBaseT output module

CMSI-48E



SCHEMATIC

CDPS-6H2HFS



SCHEMATIC

HDBaseT 100m Splitter

2x9 HDMI/Audio to CAT5e/6/7 Splitter

CHDBT-2H8CE

This 4K2K capable HDBaseT™ HDMI to HDMI and CAT5e/6/7 Transmitter supports the transmission of video (resolutions up to 1080p/4K2K) and multi-channel digital audio to eight remote HDBaseT CAT5e/6/7 outputs, plus an additional HDMI output which can be connected to a local HDMI display for monitoring. The HDBaseT outputs can be connected to compatible Receivers for distances up to 100 meters over a single CAT5e/6/7 cable (for each output) and can transmit High-definition Video and Audio, bi-directional IR control, RS-232 pass-through, Power over Cable (PoC) that can power receivers and LAN serving that allows all connected devices to share a network. For additional flexibility, there is an Audio De-Embedding function which allows audio integration into a wider AV system or direct connection to an AV Receiver. Audio outputs are via a digital optical connection or an analog stereo output (2 RCA).

- HDMI with 3D and 4K2K supported, HDCP and DVI compliant
- Simultaneous display of the selected source through the HDBaseT and HDMI outputs
- Features one HDMI and eight HDBaseT outputs
- Supports data rates from 250Mbps up to 3Gbps
- Supports a wide range of PC resolutions from VGA to WUXGA and HDTV resolutions up to 4K2K (3840x2160@24/25/30Hz and 4096x2160@24Hz)



- Supports High-definition Audio: LPCM 7.1CH, Dolby TrueHD, Dolby Digital Plus and DTS-HD Master Audio transmission (32kHz to 192kHz sample rate)
- Supports distances of up to 100 meters over industry standard CAT5e/6/7 cables
- Supports Ethernet transmission rates up to 100Mbps
- Supports selection of Standard (Fixed) or TV (Downstream) EDID settings
- Supports HDMI 3D features for compatible sources and displays
- Supports Power over Cable (PoC) with compatible Receiver units
- Supports bi-directional IR pass-through from the source and display locations

P/N	Inputs	Outputs	4K	3D	HD Audio	IR	RS-232	Ethernet	PoC	Cable Length	HDCP
CHDBT-2H8CE	2xHDMI	1xHDMI, 8xCAT5e/6/7	Yes	Yes	Yes	Yes	Yes	Yes	Yes	100m (328ft)	Yes

1x8 HDMI to CAT5e/6/7 Splitter

CHDBT-1H7CE

The CHDBT-1H7CE can split and distribute a single HDMI input, 2-way IR control and LAN serving to up to seven CAT5e/6/7 outputs and includes a simultaneous HDMI bypass output. It supports resolutions up to 1080p Full HD, 4K2K timing, 3D and multichannel digital audio formats (such as LPCM 7.1CH, Dolby TrueHD, Dolby Digital Plus and DTS-HD). The HDMI bypass output can be connected to an HDMI display or cascaded to another splitter. The CAT5e/6/7 outputs can be connected to CAT5e/6/7 to HDMI receivers to extend the operating distance up to 100 meters.

Additionally, the LAN connectivity will allow a 100BaseT network to be served to smart TVs or games consoles. The Power over Cable (PoC) function can power compatible receivers, providing greater flexibility in installations.

- HDMI with 4K2K resolution and 3D support, HDCP and DVI compliant
- Simultaneous HDMI and CAT5e/6/7 outputs
- Supports one HDTV and seven CAT5e/6/7 outputs
- Supports data rate from 300 Mbps up to 3 Gbps
- Supports a wide range of PC resolutions from VGA to WUXGA (RB) and HDTV resolutions up to 4K2K (3840x2160@30 Hz and 4096x2160@24 Hz)
- Supports transmission of High Definition audio: LPCM 7.1CH, Dolby TrueHD, Dolby Digital Plus and DTS-HD Master Audio (32 kHz~192 kHz sample rate)



- Supports distances up to 100 meters over CAT5e/6/7 cables
- Supports Ethernet network rates up to 100Mbps
- Supports PoC with compatible Receiver units
- Supports selection of Standard or TV EDID settings
- Supports control of devices via 2-way IR
- 3D signal display is dependent on the TV/Display's EDID settings

P/N	Inputs	Outputs	4K	3D	HD Audio	IR	RS-232	Ethernet	PoC	Cable Length	HDCP
CHDBT-1H7CE	1xHDMI	1xHDMI, 7xCAT5e/6/7	Yes	Yes	Yes	Yes	-	Yes	Yes	100m (328ft)	Yes

1x4 HDMI to CAT5e/6/7 Splitter

CHDBT-1H3CE

The CHDBT-1H3CE can split and distribute a single HDMI input, 2-way IR control and LAN serving to up to three CAT5e/6/7 outputs and includes a simultaneous HDMI bypass output. It supports resolutions up to 1080p Full HD, 4K2K timing, 3D and multichannel digital audio formats (such as LPCM 7.1CH, Dolby TrueHD, Dolby Digital Plus and DTS-HD). The HDMI bypass output can be connected to an HDMI display or cascaded to another splitter. The three CAT5e/6/7 outputs can be connected to CAT5e/6/7 to HDMI receivers to extend the operating distance up to 100 meters.

Additionally, the LAN connectivity will allow a 100BaseT network to be served to smart TVs or games consoles. The Power over Cable (PoC) function can power compatible receivers, providing greater flexibility in installations.

- HDMI with 4K2K resolution and 3D support, HDCP and DVI compliant
- Simultaneous HDMI and CAT5e/6/7 outputs
- Supports data rate from 300 Mbps up to 3 Gbps
- Supports a wide range of PC resolutions from VGA to WUXGA (RB) and HDTV resolutions up to 4K2K (3840x2160@30 Hz and 4096x2160@24 Hz)
- Supports transmission of High Definition audio: LPCM 7.1CH, Dolby TrueHD, Dolby Digital Plus and DTS-HD Master Audio (32 kHz~192 kHz sample rate)



- Supports distances up to 100 meters over CAT5e/6/7 cables
- Supports Ethernet network rates up to 100 Mbps
- Supports selection of Standard or TV EDID settings
- Supports PoC with compatible receiver units
- Supports control of devices via 2-way IR
- 3D signal display is dependent on the TV/Display's EDID settings

P/N	Inputs	Outputs	4K	3D	HD Audio	IR	RS-232	Ethernet	PoC	Cable Length	HDCP
CHDBT-1H3CE	1xHDMI	1xHDMI, 3xCAT5e/6/7	Yes	Yes	Yes	Yes	-	Yes	Yes	100m (328ft)	Yes

1x3 HDMI to CAT5e/6/7 Splitter

CHDBT-1H2CE

The CHDBT-1H2CE supports resolutions up to 1080p Full HD, Deep Color, 4K2K, 3D and multi-channel digital audio formats such as LPCM 7.1CH, Dolby TrueHD, Dolby Digital Plus and DTS-HD from Hi-Def sources to an HDMI and 2 CAT5e/6/7 outputs. This splitter has the ability to provide you with simultaneous HDMI and 2 CAT5e/6/7 outputs where the HDMI output can be connected to display or cascaded with another splitter. The CAT5e/6/7 outputs can be connected to CAT5e/6/7 to HDMI receivers to extend the operating distance up to 100 meters. The LAN connectivity will allow a 100BaseT network to be served to both CAT outputs.

- HDMI with 4K2K resolution and 3D support, HDCP and DVI compliant
- Simultaneous output of the same source through HDMI and CAT5e/5/7 outputs
- Supports Deep Color up to 1080p/36-bit
- Supports wide range of PC resolutions from VGA to WUXGA (RB) and HDTV resolutions up to 4K2K
- Supports transmission of High Definition audio: LPCM 7.1CH, Dolby TrueHD, Dolby Digital Plus and DTS-HD Master Audio (32 kHz~192 kHz sample rate)
- Supports distances up to 100 meters over CAT5e/6/7 cables



- HDBase™ 5Play™ convergence: uncompressed high definition Video and Audio, LAN serving, Power over Ethernet and RS-232/IR control
- 3D signal display is dependent on the TV/Display's EDID settings

P/N	Inputs	Outputs	4K	3D	HD Audio	IR	RS-232	Ethernet	PoC	Cable Length	HDCP
CHDBT-1H2CE	1xHDMI	1xHDMI, 2xCAT5e/6/7	Yes	Yes	Yes	Yes	Yes	Yes	Yes	100m (328ft)	Yes

1x2 HDMI to CAT5e/6/7 Splitter

CHDBT-1H1CE

The CHDBT-1H1CE can split and distribute a single HDMI input, 2-way IR or RS-232 control and LAN serving to a single CAT5e/6/7 output and includes a simultaneous HDMI bypass output. It supports resolutions up to 1080p Full HD, 4K2K timing, 3D and multi-channel digital audio formats (such as LPCM 7.1CH, Dolby TrueHD, Dolby Digital Plus and DTS-HD). The HDMI bypass output can be connected to an HDMI display or cascaded to another splitter. The CAT5e/6/7 outputs can be connected to a CAT5e/6/7 to HDMI receiver to extend the operating distance up to 100 meters.

Additionally, the LAN connectivity will allow a 100BaseT network to be served to smart TVs or games consoles. The Power over Cable (PoC) function can power compatible receivers, providing greater flexibility in installations.



- HDMI with 4K2K resolution and 3D support, HDCP and DVI compliant
- Simultaneous HDMI and CAT5e/6/7 outputs
- Supports data rate from 250 Mbps up to 3 Gbps
- Supports a wide range of PC resolutions from VGA to WUXGA (RB) and HDTV resolutions up to 4K2K (3840x2160@30 Hz and 4096x2160@24 Hz)
- Supports transmission of High Definition audio: LPCM 7.1CH, Dolby TrueHD, Dolby Digital Plus and DTS-HD Master Audio (32 kHz~192 kHz sample rate)

- Supports distances up to 100 meters through CAT5e/6/7 cables
- Supports Ethernet network rates up to 100 Mbps
- Supports selection of Standard or TV EDID settings
- Supports USB service port
- Provides 24V DC power to or received from compatible PoC Receiver through CAT5e/6/7 cable
- Supports control of devices via 2-way IR
- Supports RS-232 function
- 3D signal display is dependent on the TV/Display's EDID settings

P/N	Inputs	Outputs	4K	3D	HD Audio	IR	RS-232	Ethernet	PoC	Cable Length	HDCP
CHDBT-1H1CE	1xHDMI	1xHDMI, 1xCAT5e/6/7	Yes	Yes	Yes	Yes	Yes	Yes	Yes	100m (328ft)	Yes

HDBaseT 70m Splitter

1x8 HDMI to CAT5e/6/7 Splitter

CHDBT-1H7CPL / CHDBT-1H7CL

The CHDBT-1H7CL can split and distribute a single HDMI input, and 2-way IR control to up to seven CAT5e/6/7 outputs and includes a simultaneous HDMI bypass output. It supports resolutions up to 1080p Full HD, 4K2K timing, 3D and multichannel digital audio formats (such as LPCM 7.1CH, Dolby TrueHD, Dolby Digital Plus and DTS-HD). The HDMI bypass output can be connected to an HDMI display or cascaded to another splitter. The CAT5e/6/7 outputs can be connected to CAT5e/6/7 to HDMI receivers to extend the operating distance up to 70 meters.

Additionally, the CHDBT-1H7CPL supports Power over Cable (PoC) function can power compatible receivers, providing greater flexibility in installations.



• CHDBT-1H7CPL

- HDMI with 3D and 4K2K supported, HDCP and DVI compliant
- Simultaneous HDMI and CAT5e/6/7 outputs
- Supports one HDTV and seven CAT5e/6/7 outputs
- Supports data rate from 250Mbps up to 3Gbps
- Supports wide range of PC resolutions from VGA to WUXGA and HDTV resolutions up to 4K2K (3840x2160@30 Hz and 4096x2160@24 Hz)
- Supports LPCM 7.1CH, Dolby TrueHD, Dolby Digital Plus and DTS-HD Master Audio transmission (32-192 kHz sample rate)

- Supports distances up to 70 meters through CAT5e/6/7 cables
- Supports selection of Standard or TV EDID settings
- Supports USB service port
- Supports Bi-directional IR control
- The 3D signal display follow by display TV's EDID

P/N	Inputs	Outputs	4K	3D	HD Audio	IR	RS-232	Ethernet	PoC	Cable Length	HDCP
CHDBT-1H7CL	1xHDMI	1xHDMI, 7xCAT5e/6/7	Yes	Yes	Yes	Yes	-	-	-	70m (230ft)	Yes
CHDBT-1H7CPL	1xHDMI	1xHDMI, 7xCAT5e/6/7	Yes	Yes	Yes	Yes	-	-	Yes	70m (230ft)	Yes

1x4 HDMI to CAT5e/6/7 Splitter

CHDBT-1H3CPL / CHDBT-1H3CL

The CHDBT-1H3CL can split and distribute a single HDMI input and 2-way IR control to up to three CAT5e/6/7 outputs and includes a simultaneous HDMI bypass output. It supports resolutions up to 1080p Full HD, 4K2K timing, 3D and multi-channel digital audio formats (such as LPCM 7.1CH, Dolby TrueHD, Dolby Digital Plus and DTS-HD). The HDMI bypass output can be connected to an HDMI display or cascaded to another splitter. The three CAT5e/6/7 outputs can be connected to CAT5e/6/7 to HDMI receivers to extend the operating distance up to 70 meters.

Additionally, the CHDBT-1H3CPL supports Power over Cable (PoC) function can power compatible receivers, providing greater flexibility in installations.

- HDMI with 4K2K resolution and 3D support, HDCP and DVI compliant
- Simultaneous HDMI and CAT5e/6/7 outputs
- Supports data rate from 300 Mbps up to 3 Gbps
- Supports a wide range of PC resolutions from VGA to WUXGA (RB) and HDTV resolutions up to 4K2K (3840x2160@30 Hz and 4096x2160@24 Hz)
- Supports transmission of High Definition audio: LPCM 7.1CH, Dolby TrueHD, Dolby Digital Plus and DTS-HD Master Audio (32 kHz~192 kHz sample rate)



• CHDBT-1H3CPL

- Supports distances up to 70 meters over CAT5e/6/7 cables
- Supports selection of Standard or TV EDID settings
- Supports control of devices via 2-way IR
- 3D signal display is dependent on the TV/Display's EDID settings

P/N	Inputs	Outputs	4K	3D	HD Audio	IR	RS-232	Ethernet	PoC	Cable Length	HDCP
CHDBT-1H3CL	1xHDMI	1xHDMI, 3xCAT5e/6/7	Yes	Yes	Yes	Yes	-	-	-	70m (230ft)	Yes
CHDBT-1H3CPL	1xHDMI	1xHDMI, 3xCAT5e/6/7	Yes	Yes	Yes	Yes	-	-	Yes	70m (230ft)	Yes

1x2 HDMI to CAT5e/6/7 Splitter

CHDBT-1H1CPL / CHDBT-1H1CL

The CHDBT-1H1CL can split and distribute a single HDMI input and 2-way IR or RS-232 control to a single CAT5e/6/7 output and includes a simultaneous HDMI bypass output. It supports resolutions up to 1080p Full HD, 4K2K timing, 3D and multi-channel digital audio formats (such as LPCM 7.1CH, Dolby TrueHD, Dolby Digital Plus and DTS-HD). The HDMI bypass output can be connected to a local HDMI display or cascaded to another splitter. The CAT5e/6/7 output can be connected to a CAT5e/6/7 to an HDMI receiver to extend the operating distance up to 70 meters.

Additionally, the CHDBT-1H1CPL supports Power over Cable (PoC) function can power compatible receivers, providing greater flexibility in installations.

- HDMI with 4K2K resolution and 3D support, HDCP and DVI compliant
- Simultaneous HDMI and CAT5e/6/7 outputs
- Supports data rate from 250Mbps up to 3Gbps
- Supports a wide range of PC resolutions from VGA to WUXGA (RB) and HDTV resolutions up to 4K2K (3840x2160@30 Hz and 4096x2160@24 Hz)
- Supports transmission of High Definition audio: LPCM 7.1CH, Dolby TrueHD, Dolby Digital Plus and DTS-HD Master Audio (32 kHz~192 kHz sample rate)



• CHDBT-1H1CPL

- Supports distances up to 70 meters through CAT5e/6/7 cables
- Supports USB service port
- Supports control of devices via 2-way IR
- Supports RS-232 function
- 3D signal display is dependent on the TV/Display's EDID settings

P/N	Inputs	Outputs	4K	3D	HD Audio	IR	RS-232	Ethernet	PoC	Cable Length	HDCP
CHDBT-1H1CL	1xHDMI	1xHDMI, 1xCAT5e/6/7	Yes	Yes	Yes	Yes	Yes	-	-	70m (230ft)	Yes
CHDBT-1H1CPL	1xHDMI	1xHDMI, 1xCAT5e/6/7	Yes	Yes	Yes	Yes	Yes	-	Yes	70m (230ft)	Yes

HDMI Ultra HD Splitter

1x8 / 1x4 HDMI 4K UHD Splitter

CPRO-8ER / CPRO-4ER

The CPRO-8ER/CPRO-4ER distributes a single HDMI input to eight simultaneous HDMI outputs and supports 4K2K, 3D, 12-bit Deep Color as well as High Definition Lossless Audio. With its 9 Gbps bandwidth and the additional features of the latest in HDMI standards you can be sure of superior HDMI distribution.

- Supports HDTV resolutions up to 4K2K@30 Hz
- HDMI and DVI compatible
- Supports 1080p@60Hz, Deep Color 12-bit
- Supports LPCM 7.1CH, Dolby TrueHD, Dolby Digital Plus and DTS-HD Master Audio
- Supports 3D signals
- Supports CEC System Reset and EDID selection functions



• CPRO-8ER

P/N	Inputs	Outputs	4K	3D	ARC	HEC	Deep Color	HD Audio	CEC	EDID	HDCP
CPRO-4ER	1xHDMI	4xHDMI	Yes	Yes	-	-	Yes	Yes	System Reset	Yes	Yes
CPRO-8ER	1xHDMI	8xHDMI	Yes	Yes	-	-	Yes	Yes	System Reset	Yes	Yes

1x16 / 1x8 / 1x4 / 1x2 HDMI 4K UHD Splitter

CPRO-16E / CPRO-8E / CPRO-4E / CPRO-2E

The CPRO-16E/CPRO-8E/CPRO-4E/CPRO-2E distributes one HDMI input to up to sixteen simultaneous HDMI outputs and supports 4K2K, 3D, 12-bit Deep Color as well as High Definition Lossless Audio. With its 3Gbps bandwidth it supports the latest HDMI standards so you can be sure of superior HDMI distribution.

- HDMI and DVI compatible
- Fully HDCP compliant
- Supports 3D
- Supports HDTV resolutions up to 4K2K@30 Hz
- Supports PC Resolutions of VGA to WUXGA
- Supports 1080p@60 Hz, Deep Color 12-bit
- Supports LPCM 7.1CH, Dolby TrueHD, Dolby Digital Plus and DTS-HD Master Audio
- Supports HDMI cable distances of up to 10m input and 10m output (8/12-bit)



• CPRO-16E

P/N	Inputs	Outputs	4K	3D	ARC	HEC	Deep Color	HD Audio	CEC	EDID	HDCP
CPRO-2E	1xHDMI	2xHDMI	Yes	Yes	-	-	Yes	Yes	-	-	Yes
CPRO-4E	1xHDMI	4xHDMI	Yes	Yes	-	-	Yes	Yes	-	Yes	Yes
CPRO-8E	1xHDMI	8xHDMI	Yes	Yes	-	-	Yes	Yes	-	Yes	Yes
CPRO-16E	1xHDMI	16xHDMI	Yes	Yes	-	-	Yes	Yes	Bypass	Yes	Yes

HDMI Full HD Splitter

1x4 HDMI Seamless Quad Video Splitter

CDPS-14TW

This HDMI Video Wall Controller allows a single HDMI source to be displayed on up to 4 HDMI displays (TV or monitor) and/or cascade to additional units to extend the number of displays in the video wall configuration. The user-friendly PC control application allows full control over single or multiple devices in a Video Wall control system, including picture adjustment and full bezel correction. It supports video resolutions up to WUXGA@60Hz (RB) and 1080p@60Hz, audio formats up to 7.1CH LPCM at 192kHz sampling rate dependent upon the source devices resolution capabilities. All operation and control can be done via IP (Telnet/PC application) and RS-232 commands.



- HDMI, HDCP1.1 and DVI compliant
- Output a single source image to 4 displays (in a 2 by 2 Video Wall configuration) with adjustable Bezel Correction
- Cascade/Bypass the HDMI signal up to as many units as required, increasing the number of displays in the MxN Video Wall
- Supports Input resolutions of VGA~WUXGA and 480i~1080p
- Supports IP (Telnet/PC Application) and RS-232 control
- Supports Output resolutions 720p@50/60Hz, 1080p@50/60Hz and several PC timings
- Supports different input resolutions and output resolutions selectable using PC application (Factory default settings of the output signal are 720p@60Hz video and LPCM 2CH audio)
- Supports pass-through of audio formats: LPCM 2/5.1/7.1CH, Dolby Digital 2~5.1CH, DTS 2~5.1CH, Dolby Digital Plus, Dolby TrueHD and DTS-HD Master Audio

P/N	Inputs	Outputs	4K	3D	ARC	HEC	Deep Color	HD Audio	CEC	EDID	HDCP
CDPS-14TW	1xHDMI	4xHDMI	-	-	-	-	Yes (Input)	Yes	-	Yes	Yes

1x8 HDMI CEC Splitter

CPRO-8MCEC

The CPRO-8MCEC 1 by 8 HDMI Splitter supports 3D, individual CEC control functions, and it has an output port (the fourth HDMI out) providing Audio Return Channel (ARC) and HDMI Ethernet Channel (HEC) communication as an add-on feature. When an ARC-enabled HDTV is connected to the fourth HDMI output port, the user can upstream audio signal (from set-top-box or other source) to the splitter, in S/PDIF format, and output to the coaxial connector. When an HEC-enabled HDTV is connected to the fourth HDMI output port, the user can benefit from a bi-directional and 100Mb/sec full duplex Ethernet connection between the TV and the splitter.



- The fourth HDMI output supports Audio Return Channel (ARC) and HDMI Ethernet Channel (HEC) feature
- Supports 3D and 36/30/24-bit Deep Color up to 1080p@60Hz
- Supports high definition audio
- Supports EDID selections - standard (internal) or TV (external)
- Supports CEC options - System Reset feature or CEC Bypass

P/N	Inputs	Outputs	4K	3D	ARC	HEC	Deep Color	HD Audio	CEC	EDID	HDCP
CPRO-8MCEC	1xHDMI	8xHDMI	-	Yes	Yes	Yes	Yes	Yes	System Reset	Yes	Yes

1x8 / 1x4 HDMI Splitter

CLUX-8M / CLUX-4M

The HDMI Distribution Amplifier Series is the most advanced solution to HDMI signal distribution. Each product in this series is compatible to HDMI specifications, a cutting edge technology which defines the support to transfer Deep Color (10-bit and 12-bit) video and new lossless compressed (Dolby TrueHD, Dolby Digital Plus and DTS-HD Master Audio) digital audio, with a high bandwidth up to 225MHz (6.75Gbps). Besides splitting and distributing, the HDMI DA series also does signal amplification and equalization, so as to provide high performance I/O of audio and video.



• CLUX-8M

- Deep color video up to 12bit, 1080p@(24/60)Hz
- One HDMI source to connect up to four or eight HDMI displays simultaneously
- HDCP keysets allows each output to work independently when connecting to a HDMI display
- Splits a HDMI source up to four or eight outputs without signal loss
- Supports DVI source and DVI display by using HDMI to/ from DVI adaptor cable
- Supports LPCM 7.1CH, Dolby TrueHD, Dolby Digital Plus and DTS-HD Master Audio transmission (32-192 kHz Fs sample rate)
- Supports a wide range of PC and HDTV resolutions from VGA to UXGA and 480i to 1080p
- Can selected EDID source from TV or this splitter
- Support CEC bypass
- Support xvYCC

P/N	Inputs	Outputs	4K	3D	ARC	HEC	Deep Color	HD Audio	CEC	EDID	HDCP
CLUX-4M	1xHDMI	4xHDMI	-	Yes	-	-	Yes	Yes	System Reset	Yes	Yes
CLUX-8M	1xHDMI	8xHDMI	-	Yes	-	-	Yes	Yes	System Reset	Yes	Yes

1x8 HDMI 3D Splitter

CLUX-8M3D

With eight HDMI outputs and capable of distributing 3D content the CLUX-8M3D is compatible with HDMI v1.3 which defines the ability to transfer 3D content, Deep Color (10/12-bit) video and new lossless compressed (Dolby TrueHD, Dolby Digital Plus and DTS-HD Master Audio) digital audio, this device doesn't merely handle splitting and distributing, far from it, it also amplifies and equalizes your signals to provide high performance I/O of audio and video.



- Supports 3D content with an LED indicator to indicate if the video is in standard definition or 3D
- Allows one HDMI source to simultaneously connect with up to eight HDMI displays
- HDCP keysets allows each output to work independently when connected to an HDMI display
- Transmits an HDMI source to eight outputs without any signal loss
- Supports a wide range of PC and HDTV resolutions from VGA to WUXGA and 480i to 1080p
- HDMI input/output cable distance supports 15/15m at 1080p/8-bit, 10/15m at 1080p/12-bit

P/N	Inputs	Outputs	4K	3D	ARC	HEC	Deep Color	HD Audio	CEC	EDID	HDCP
CLUX-8M3D	1xHDMI	8xHDMI	-	Yes	-	-	Yes	Yes	System Reset	Yes	Yes

1x2 HDMI 3D Splitter with Audio-Only HDMI Output

CLUX-3D12S1A

The CLUX-3D12S1A is fully compliant with HDMI and allows the output from any HDMI equipped device to be split and connects to up to two HDTV displays in the same room. The third HDMI output is an audio with blue screen output, which means it can be connected to an AV Receiver that does not support 3D signal.



- Deep Color video up to 12-bit, 1080p@24/60 Hz
- One HDMI source to connect up to two HDMI displays simultaneously
- One audio-only HDMI output connected to an AVR
- Splits an HDMI source to two outputs without signal loss
- Supports LPCM 7.1CH, Dolby Digital and Dolby Digital Plus Audio transmission (32–192 kHz Fs sample rate)
- Supports a wide range of PC and HDTV resolutions from VGA to WUXGA and 480i to 1080p
- HDMI cable distance supports up to 15m at 1080p/8-bit or 12-bit resolution
- Detects the video's EDID information based on HDMI OUT 1 and the audio's EDID based on HDMI OUT 3

P/N	Inputs	Outputs	4K	3D	ARC	HEC	Deep Color	HD Audio	CEC	EDID	HDCP
CLUX-3D12S1A	1xHDMI	3xHDMI	-	Yes	-	-	Yes	Yes	Bypass	-	Yes

1x8 / 1x4 HDMI Mountable Splitter

CLUX-18W / CLUX-14W

The HDMI Splitter is an advanced solution for HDMI signal distribution. This device supports deep color (10 & 12-bit) video with new lossless compressed (Dolby, True HD, Dolby Digital Plus and DTS-HD Master Audio) digital audio, with a high bandwidth up to 225MHz (6,75Gbps). Besides just splitting and distributing, this device also amplifies and equalizes your signal to provide high performance I/O of audio and video. With great features like EDID, CEC and system reset this device will fully support your HDMI splitting needs.



• CLUX-18W

- HDCP keysets allow each output to work independently
- Splits an HDMI source on up to eight/four outputs without any signal loss
- Supports DVI source by using an HDMI to/from DVI adaptor cable
- PC and HDTV resolutions from VGA to WUXGA and 480i to 1080p
- EDID function. This unit is designed to detect the first HDMI/DVI output display's EDID and record it in the unit. If the first detected output is empty it will pass on to the next output until the first HDMI/DVI display has been detected. When users re-plug the power, the system will automatically recover the EDID
- Supports xvYCC and CEC bypass

- Switch Reset button on to restore the system every 8-10mins
- Buttons for EDID settings allow for fast recognition between source and display

P/N	Inputs	Outputs	4K	3D	ARC	HEC	Deep Color	HD Audio	CEC	EDID	HDCP
CLUX-14W	1xHDMI	4xHDMI	-	Yes	-	-	Yes	Yes	System Reset	Yes	Yes
CLUX-18W	1xHDMI	8xHDMI	-	Yes	-	-	Yes	Yes	System Reset	Yes	Yes

2x10 HDMI Splitter

CLUX-210S

The CLUX-210S is an advanced solution to HDMI signal distribution. Each product in this series is compatible to HDMI v1.3 specifications, a cutting edge technology which defines the support to transfer Deep Color (10-bit and 12-bit) video and new lossless compressed (Dolby TrueHD, Dolby Digital Plus and DTS-HD Master Audio) digital audio, with a high bandwidth up to 225MHz (6.75Gbps). Besides splitting and distributing, the device also does signal amplification and equalization, so as to provide high performance I/O of audio and video. Each of the buffered output can run up to 30 meters and can be cascaded.



- HDCP 1.1 and DVI 1.0 compliant
- Deep color video up to 12-bit, 1080p@60 Hz
- Two HDMI sources to connect up to ten HDMI displays simultaneously
- HDCP keysets allows each output to work independently when connecting to a HDMI display
- Splits a HDMI source up to ten outputs without signal loss
- Supports DVI source and DVI display by using HDMI to/ from DVI adaptor cable
- Supports LPCM 7.1CH, Dolby TrueHD, Dolby Digital Plus and DTS-HD Master Audio transmission (32-192kHz Fs sample rate)
- Supports a wide range of PC and HDTV resolutions from VGA to UXGA and 480i to 1080p
- HDMI cable distance test with 1080p resolution: Input/ Output source can run up to 30M/5.1CH
- Can selected EDID source from TV or this Splitter.
- Full HDCP Compliant

P/N	Inputs	Outputs	4K	3D	ARC	HEC	Deep Color	HD Audio	CEC	EDID	HDCP
CLUX-210S	2xHDMI	10xHDMI	-	Yes	-	-	Yes	Yes	-	Yes	Yes

1x8 / 1x4 / 1x2 HDMI Splitter

CLUX-18S / CLUX-14S / CLUX-12S

The CLUX-18S/CLUX-14S/CLUX-12S is an advanced solution to HDMI signal distribution. Each product in this series is compatible to HDMI v1.3 specifications, a cutting edge technology which defines the support to transfer Deep Color (10-bit and 12-bit) video and new lossless compressed (Dolby TrueHD, Dolby Digital Plus and DTS-HD Master Audio) digital audio, with a high bandwidth up to 225MHz (6.75Gbps). Besides splitting and distributing, the device also does signal amplification and equalization, so as to provide high performance I/O of audio and video. Each of the buffered output can run up to 30 meters and can be cascaded.



• CLUX-18S

- HDCP 1.1 and DVI 1.0 compliant
- Deep color video up to 12-bit, 1080p@60 Hz
- One HDMI source to connect up to eight, four or two HDMI displays simultaneously
- HDCP keysets allows each output to work independently when connecting to a HDMI display
- Splits a HDMI source up to eight, four or two outputs without signal loss
- Supports DVI source and DVI display by using HDMI to/ from DVI adaptor cable
- Supports LPCM 7.1CH, Dolby TrueHD, Dolby Digital Plus and DTS-HD Master Audio transmission (32-192kHz Fs sample rate)
- Supports a wide range of PC and HDTV resolutions from VGA to UXGA and 480i to 1080p
- CLUX-18S and CLUX-14S can select EDID source from TV or this Splitter
- Full HDCP Compliant
- Supports CEC bypass

P/N	Inputs	Outputs	4K	3D	ARC	HEC	Deep Color	HD Audio	CEC	EDID	HDCP
CLUX-12S	1xHDMI	2xHDMI	-	Yes	-	-	Yes	Yes	Bypass	Yes	Yes
CLUX-14S	1xHDMI	4xHDMI	-	Yes	-	-	Yes	Yes	Bypass	Yes	Yes
CLUX-18S	1xHDMI	8xHDMI	-	Yes	-	-	Yes	Yes	Bypass	Yes	Yes

1x16 / 1x8 / 1x4 / 1x2 HDMI Splitter

CLUX-16E / CLUX-18E / CLUX-14E / CLUX-12E

The HDMI splitter is capable of handling HDMI and with support for Deep Color video and new lossless compressed digital audio. It also amplifies and equalizes your signals offering unparalleled I/O of audio and video. With extra features like EDID and CEC, this splitter is able to handle all your HDMI splitting needs.

- Deep Color Video up to 12bits, 1080p@(24/60)Hz
- HDCP keysets allows each output to work independently
- Supports DVI source and DVI display by using HDMI to/from DVI adaptor cable
- LPCM 7.1Ch, Dolby, True HD, Dolby Digital Plus and DTS-HD Master Audio
- Supports PC and HDTV resolutions from VGA to UXGA and 480i to 1080p
- HDMI cable distance tested with 1080p/8 bits resolution the I/O source can up run up to 15M/15M. If 1080p/12 bits the I/O source can run up to 15M/10M
- Supports EDID functionality
- Support xvYCC
- Support CEC bypass



• CLUX-16E

P/N	Inputs	Outputs	4K	3D	ARC	HEC	Deep Color	HD Audio	CEC	EDID	HDCP
CLUX-12E	1xHDMI	2xHDMI	-	Yes	-	-	Yes	Yes	-	-	Yes
CLUX-14E	1xHDMI	4xHDMI	-	Yes	-	-	Yes	Yes	-	-	Yes
CLUX-18E	1xHDMI	8xHDMI	-	Yes	-	-	Yes	Yes	-	-	Yes
CLUX-16E	1xHDMI	16xHDMI	-	Yes	-	-	Yes	Yes	Bypass	Yes	Yes

1x8 / 1x4 / 1x2 HDMI CEC Splitter

CLUX-18CEC / CLUX-14CEC / CLUX-12CEC

From a single HDMI source you can transfer Deep Color (10-bit and 12-bit) video and new lossless compressed digital audio with high bandwidth up to 225MHz (6.75Gbps) to 2/4/8 HDMI outputs. Besides splitting and distributing, it also does signal amplification and equalization, providing high I/O performance on both audio and video.

- Deep color video up to 12bit, 1080p@(24/60)Hz
- Simultaneously displays one HDMI source onto eight HDMI displays (CLUX-18CEC)
- HDCP keysets allow each output to work independently
- Supports DVI source/display via HDMI to/from DVI adaptor cable
- LPCM 7.1CH, Dolby TrueHD, Dolby Digital Plus and DTS-HD Audio
- PC and HDTV resolutions from VGA to UXGA and 480i to 1080p
- 1080p/8bits resolution: the Input/Output source up to 10/10 meters
- Supports EDID bypass, xvYCC and CEC bypass
- CEC function support
- System standby will be activated when last TV is switched to standby



• CLUX-18CEC

P/N	Inputs	Outputs	4K	3D	ARC	HEC	Deep Color	HD Audio	CEC	EDID	HDCP
CLUX-12CEC	1xHDMI	2xHDMI	-	Yes	-	-	Yes	Yes	Full	-	Yes
CLUX-14CEC	1xHDMI	4xHDMI	-	Yes	-	-	Yes	Yes	Full	-	Yes
CLUX-18CEC	1xHDMI	8xHDMI	-	Yes	-	-	Yes	Yes	Full	-	Yes

1x8 HDMI Splitter

CLUX-18EU

Compatible with HDMI which defines the ability to transfer 3D content, Deep Color video and new lossless compressed digital audio, this device also amplifies and equalizes your signals to provide high performance I/O of audio and video distribution. Cascade up to 10 layers to extend and distribute the HD 1080p in 8 bit color signal without loss or delay. (Higher color definitions will restrict cable lengths & cascade depths).



- Deep color video up to 12bits, 1080p@24/60Hz
- Allows one HDMI source to simultaneously connect with up to eight HDMI displays
- HDCP keysets allows each output to work independently and quickly
- Transmits an HDMI source to eight outputs without any signal loss
- Supports DVI source/display by using and HDMI/DVI adaptor cable
- LPCM 7.1CH, Dolby, True HD, Dolby Digital Plus and DTS-HD master audio
- Supports PC and HDTV resolutions from VGA to WUGA and 480i to 1080p

- HDMI cable distance testing showed that with 1080p/8 bits resolution, the input source can be 15 meters away and with 1080p/12 bits it can be 10 meters away
- HDMI cable distance testing showed that with 1080p/8 bits resolution, the output source can be 15 meters away, and with 1080p/12 bits it can be 15 meters away

P/N	Inputs	Outputs	4K	3D	ARC	HEC	Deep Color	HD Audio	CEC	EDID	HDCP
CLUX-18EU	1xHDMI	8xHDMI	-	Yes	-	-	Yes	Yes	System Reset	Yes	Yes

1x4 HDMI Splitter

CLUX-14EP

This HDMI Splitter is the most advanced solution to HDMI signal distribution. Each product in this series is compliant with HDMI and HDCP specifications. It allows one HDMI source to connect up to four HDMI displays simultaneously.



- Splits a HDMI source up to four outputs at 1080p without signal loss
- Supports DVI source and DVI display by using an adaptor lead
- PC and HDTV resolutions, from VGA to UXGA and 480p to 1080p
- Supports Deep color video 10bit, 1080p@60Hz
- Signal Enhancement feature allows you to improve signal quality after long distance transmission
- Support multi-channel compressed and uncompressed HDMI audio
- Enhanced function for signal pre-emphasis
- Audio EDID button for 2 channels and multi channels supports
- In cases where the sources are supports multi channels and displays only supports 2 channels. Switch the audio EDID to 2 channels

P/N	Inputs	Outputs	4K	3D	ARC	HEC	Deep Color	HD Audio	CEC	EDID	HDCP
CLUX-14EP	1xHDMI	4xHDMI	-	Yes	-	-	Yes	Yes	-	-	Yes

CAT6 Splitter

1x8 HDMI to Single CAT6/7 Splitter

CLUX-8MCAT

The CLUX-8MCAT can simultaneously distribute a single HDMI source to eight displays when connecting with a CAT6 to HDMI receiver. Provides an efficient and cost effective way to link your displays, this system uses a direct input of one HDMI source and eight CAT6 outputs that send uncompressed data and allow you to distribute HDMI signals at their full strength and at great distances.

Moreover, this device supports 3D signals and includes an LED indicator that shows when you are broadcasting 3D media. The 1 by 8 HDMI to single CAT6 Splitter is the most efficient way to handle your HDMI splitting needs.

- Deep Color input up to 1080p@60 Hz/12-bit and output up to 1080p@60 Hz/10-bit
- Supports LPCM 7.1CH, Dolby TrueHD, Dolby Digital Plus and DTS-HD Master Audio transmission with sample rate up to 192 kHz
- Supports VGA to WUXGA and 480i to 1080p
- Selectable EDID from either the TV or STD mode
- Supports 3D signals with an LED indicator



P/N	Inputs	Outputs	4K	3D	ARC	HEC	Deep Color	HD Audio	CEC	EDID	HDCP
CLUX-8MCAT	1xHDMI	8xCAT6/7	-	Yes	-	-	Yes	Yes	Bypass	Yes	Yes

1x8 / 1x4 HDMI to Dual CAT6/7 Splitter

CLUX-1H8CAT / CLUX-1H4CAT

The HDMI to CAT6 splitter when used with CAT6 to HDMI receivers it will allow user to distribute a HDMI over CAT6 cables up to 45 meters. This solution provides a direct input of one HDMI to a looped output of HDMI and 3/7 CAT6 outputs - a smart way to link and display a single source to 4/8 different screens simultaneously. Alternatively, the HDMI output can also be treated as an extender to connect to another HDMI splitter or cascade with other unit in multiple layers. This unit allows user to transmit HDMI signal via CAT6 without compression over long distance. The HDMI to CAT6 splitter also incorporates functions like EDID, System Reset, Deep color and IR systems.



• CLUX-1H8CAT

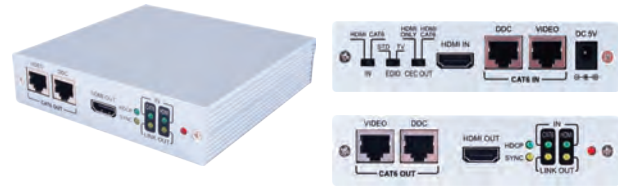
- Deep color video up to 12-bit, 1080p@60 Hz
- HDCP keysets allows each output to work independently connected to a HDMI display
- Supports both DVI source/display by using HDMI to/from DVI adaptor cable
- Supports EDID from TV mode or STD mode
- LPCM 7.1CH, Dolby True HD, Dolby Digital Plus and DTS-HD Master Audio
- Supports PC and HDTV resolutions from VGA to UXGA and 480i to 1080p
- CEC Bypass
- IR remote control extender

P/N	Inputs	Outputs	4K	3D	ARC	HEC	Deep Color	HD Audio	CEC	EDID	HDCP
CLUX-1H4CAT	1xHDM	1xHDM, 3xDual CAT6/7	-	Yes	-	-	Yes	Yes	Bypass	Yes	Yes
CLUX-1H8CAT	1xHDM	1xHDM, 7xDual CAT6/7	-	Yes	-	-	Yes	Yes	Bypass	Yes	Yes

HDMI/Dual CAT6/7 Switching Splitter

CLUX-22HC

The HDMI/CAT6 to HDMI/CAT6 Splitter/Switcher for HDMI and Video/DDC signal distribution. This CAT6 output port can be easily connected to an HDMI receivers CAT6 input port to allow a stable connection between an HDMI source and any compatible display. Besides splitting and distributing, the Video/DDC CAT6 output also does signal amplification and equalization which provide high performance I/O of audio and video.



- Deep color video 12 bit 1080p@60Hz
- Simultaneously 1x HDMI & TWIN CAT6 source to 1x HDMI & TWIN CAT6 output
- HDCP keysets allows each output to work independently
- Supports LPCM7.1CH, Dolby True HD, Dolby Digital Plus and DTS-HD Master Audio
- Supports PC and HDTV resolutions from VGA to WUXGA and 480i to 1080p

P/N	Inputs	Outputs	4K	3D	ARC	HEC	Deep Color	HD Audio	CEC	EDID	HDCP
CLUX-22HC	1xHDMI, 1xDual CAT6/7	1xHDMI, 1xDual CAT6/7	-	Yes	-	-	Yes	Yes	Bypass	Yes	Yes

1x8 / 1x4 Dual CAT6/7 to HDMI Splitter

CLUX-1CAT8H / CLUX-1CAT4H

The CAT6 to HDMI splitter is the smart way to link and display a single HDMI source on three or more screens simultaneously. Not only can it send an HDMI source to three different displays, but it can also act like a router, when connected to another CAT6 splitter it can transfer an HDMI signal to a further 3 displays, making a total of six showing the same source instead of only three. This unit allows users to transmit HDMI signals via CAT6 without compression over long distance. The CAT6 to HDMI splitter also incorporates functions like EDID, System Reset, Deep color and IR systems. Connect to 3 or 7 HDMI displays. Extend to another CAT6 splitter to reach more displays. Suitable for multi-task project presentations. Showroom displays.



• CLUX-1CAT8H

- Deep color video 12-bit, 1080p@60 Hz
- HDCP keysets allows each output to work independently
- LPCM 7.1CH, Dolby True HD, Dolby Digital Plus and DTS-HD Mater Audio
- Supports PC and HDTV resolution from VGA to UXGA and 480i to 1080p
- Selects EDID from TV mode or STD mode
- CEC Bypass
- IR remote control extender

P/N	Inputs	Outputs	4K	3D	ARC	HEC	Deep Color	HD Audio	CEC	EDID	HDCP
CLUX-1CAT4H	1xDual CAT6/7	1xDual CAT6/7, 3xHDMI	-	Yes	-	-	Yes	Yes	Bypass	Yes	Yes
CLUX-1CAT8H	1xDual CAT6/7	1xDual CAT6/7, 7xHDMI	-	Yes	-	-	Yes	Yes	Bypass	Yes	Yes

DVI Splitter

1×4 / 1×2 Dual-Link DVI Splitter

CDVI-4DDS / CDVI-2DDS

The Dual-Link DVI splitter allows a single DVI-D signal to be split into four/ two DVI outputs. Accept both Single-Link and Dual-Link DVI signal with supporting the highest resolution of WQXGA for Dual-Link and WUXGA@RB for Single-Link DVI this wonderful device allows users with a multi-screen viewing.

- Supports video resolutions up to WQXGA with Dual-Link DVI or WUXGA with Single-Link DVI
- Built-in adaptive equalizer provides long cable support
- Support EDID function
- Individual control of hot plug detect



• CDVI-4DDS

P/N	Inputs	Outputs	4K	3D	ARC	HEC	Deep Color	HD Audio	CEC	EDID	HDCP
CDVI-2DDS	1×DVI-DL	2×DVI-DL	Yes	Yes	-	-	Yes	Yes	-	-	Yes
CDVI-4DDS	1×DVI-DL	4×DVI-DL	Yes	Yes	-	-	Yes	Yes	-	-	Yes

1×8 / 1×4 / 1×2 Single-Link DVI Splitter

CDVI-8S / CDVI-4S / CDVI-2S

The CDVI-8S/CDVI-4S/CDVI-2S is an high performance, HDCP compliant DVI distribution amplifier. It allows one DVI signal source to be split to two, four or eight identical buffered outputs for connecting to up to eight DVI displays simultaneously. These models can be used to transfer HDMI signal by using HDMI to DVI adaptor or cable. Each of the buffered outputs can be run up to 15 meters and can be cascaded.

- HDMI and DVI 1.0 compliant
- Compatible with HDMI signal (with adaptor cable)
- Supports a wide range of PC and HDTV resolutions from VGA to WUXGA and 480p to 1080p
- Can be cascaded up to 3 layers
- The device will read and record the EDID of output 1 and then send it to the source device



• CDVI-8S

P/N	Inputs	Outputs	4K	3D	ARC	HEC	Deep Color	HD Audio	CEC	EDID	HDCP
CDVI-2S	1×DV-SL	2×DV-SL	-	Yes	-	-	Yes	Yes	-	-	Yes
CDVI-4S	1×DV-SL	4×DV-SL	-	Yes	-	-	Yes	Yes	-	-	Yes
CDVI-8S	1×DV-SL	8×DV-SL	-	Yes	-	-	Yes	Yes	-	-	Yes

DP/mDP Splitter

1×4 DisplayPort Splitter

CDP-14C

The DisplayPort 1 by 4 splitter allows single DP source to be display on four DP input monitors simultaneously. It supports video resolution up to 2560 x 1600 and audio up to PCM 7.1. The EDID switch allows copy of EDID from output display on using internal embedded EDID. It ensure image display properly The DP 1 by 4 splitter is an ideal device for your DP source to multi display.

- Supports resolution up to 2560 x 1600
- Supports audio up to PCM 7.1CH
- Supports EDID switch and setting



P/N	Inputs	Outputs	4K	3D	ARC	HEC	Deep Color	HD Audio	CEC	EDID	HDCP
CDP-14C	1×DP	4×DP	-	-	-	-	-	-	-	Yes	Yes

1×3 DisplayPort Splitter

CDP-13DPI

The CDP-13DPI is able to extend an image onto 2 or 3 displays, this device is perfect for multi-tasking, but can also split an image so the same image is repeated on up to three connected displays. This device allows users to enjoy images or video in HD resolution up to 1920×1200 on multiple monitors from a single digital output port.

- Supports DisplayPort v1.1a, VESA DDM Standard
- Supports link rates of 2.7Gbps (HBR) and 1.62Gbps (RBR) from the source
- Quality Lab (WHQL) testing/qualification
- Supports output resolutions up to 1920×1200
- Fully HD compatible and provides full display performance with zero lag and no display application



- limitations
- Provides exceptional Secured Content Protection with HDCP 1.3 for digital content including video and audio

P/N	Inputs	Outputs	4K	3D	ARC	HEC	Deep Color	HD Audio	CEC	EDID	HDCP
CDP-13DPI	1×DP	3×DP	-	-	-	-	-	-	-	-	Yes

1×3 Mini DisplayPort Splitter

CMDP-13MDPI

The CMDP-13MDPI is able to extend an image onto 2 or 3 displays, this device also allows you to split an image two or three times to connected displays while giving you a platform that is perfect for multi-tasking. This device allows users to enjoy images or video in HD resolution up to 1920×1200 on multiple monitors from a single digital output port.

- Supports DisplayPort v1.1a, VESA DDM Standard, HDCP v1.3 and EDID v1.4
- Supports link rates of 2.7Gbps (HBR) and 1.62Gbps (RBR)
- Fully HD compatible and provides full display performance with zero lag and no display limitations
- Does not require software updates



- Quality Lab (WHQL) testing/qualification
- Supports output resolutions up to 1920×1200
- Provides exceptional Secured Content Protection with HDCP 1.3 for digital content including video and audio

P/N	Inputs	Outputs	4K	3D	ARC	HEC	Deep Color	HD Audio	CEC	EDID	HDCP
CMDP-13MDPI	1×mDP	3×mDP	-	-	-	-	-	-	-	-	Yes

3G-SDI Splitter

4x4 / 4x2 3G-SDI Switching Splitter

CSDI-44 / CSDI-42

The CSDI-44/CSDI-42 allows SD-SDI, HD-SDI and 3G-SDI signals to be switched from up to four SDI sources and split to four simultaneous SDI outputs while ensuring high bit rates of 2.970 Gbit/s to give you high bandwidth signal transmission without signal loss over long distances and can be controlled via IR or RS-232.

- Switch between four 3G-SDI input sources and split the output to four 3G-SDI displays simultaneously
- Operation at 2.970 Gb/s, 2.970/1.001 Gb/s, 1.485 Gb/s, 1.485/1.001 Gb/s and 270 Mb/s
- Supports SMPTE 425M (Level A and Level B), SMPTE 424M, SMPTE 292M, SMPTE 259M-C
- Provides equalized and re-clocked transmission
- Control via RS-232, IR remote control (supplied) and on-panel buttons
- Supports signal input and output distances of up to 300m for SD signals, 200m for HD signals and 100m for 3G signals



• CSDI-44



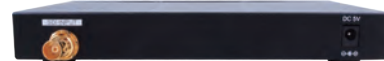
• CSDI-42

1x4 3G-SDI Splitter

CSDI-14

The CSD-14 allows SD-SDI, HD-SDI and 3G-SDI signals to be split from a single SDI source to up four simultaneous SDI outputs while ensuring high bit rates of 2.970 Gbit/s to give you high bandwidth signal transmission without signal loss over long distances.

- Split one 3G-SDI input source to four 3G-SDI displays simultaneously
- Operation at 2.970Gb/s, 2.970/1.001Gb/s, 1.485Gb/s, 1.485/1.001Gb/s and 270Mb/s
- Supports SMPTE 425M (Level A and Level B), SMPTE 424M, SMPTE 292M, SMPTE 259M-C
- Provides equalized and re-clocked transmission
- Supports signal input and output distances of up to 300m for SD signals, 200m for HD signals and 100m for 3G signals



P/N	Inputs	Outputs	4K	3D	ARC	HEC	Deep Color	HD Audio	CEC	EDID	HDCP
CSDI-14	1xSDI	4xSDI	-	-	-	-	-	-	-	-	-
CSDI-42	4xSDI	2xSDI	-	-	-	-	-	-	-	-	-
CSDI-44	4xSDI	4xSDI	-	-	-	-	-	-	-	-	-

Analog Video Splitter

1x3 VGA Splitter

CPCD-3A

The CPCD-3A is a high performance PC/Component distributor with stereo audio. It is designed to connect one PC or HDTV signal source with audio to 3 PC or HDTV displays.

- Supports either PC (RGB) or HDTV (YPbPr) input signal
- Accepts one PC or HD component input and split it into 3 buffered and identical outputs
- Supports stereo audio input and split it to 3 identical outputs via 3.5mm mini-stereo connector
- High video signal bandwidth (480MHz/-3dB) supports PC/HDTV resolution up to UXGA/1080p
- Ideal for presentation and home theater application
- Plug and play, easy to install



P/N	Inputs	Outputs	4K	3D	ARC	HEC	Deep Color	HD Audio	CEC	EDID	HDCP
CPCD-3A	1xVGA	3xVGA	-	-	-	-	-	-	-	-	-

1x8 / 1x3 Component Video Splitter

CHDD-8C / CHDD-3C

The CHDD-8C/3C is capable of distributing Video in 8 or 3 different formats and is ideal for use in any analog video entertainment distribution system.

- Component/composite or RGB distribution amplifier
- Supports SD video (Composite, YCbCr) and HDTV(YPbPr, RGB) input signal
- Split one Component Video input into 3 identical and buffered outputs via 3 by 3 RCA connectors
- When input is composite video, it can connect up to 3 different video sources and output three identical and buffered signal for each video input
- High bandwidth performance support 480 MHz (-3dB)



• CHDD-8C

P/N	Inputs	Outputs	4K	3D	ARC	HEC	Deep Color	HD Audio	CEC	EDID	HDCP
CHDD-3C	1xComponent Video	3xComponent Video	-	-	-	-	-	-	-	-	-
CHDD-8C	1xComponent Video	8xComponent Video	-	-	-	-	-	-	-	-	-

1x3 Composite Video/S-Video Splitter

CVSD-3A

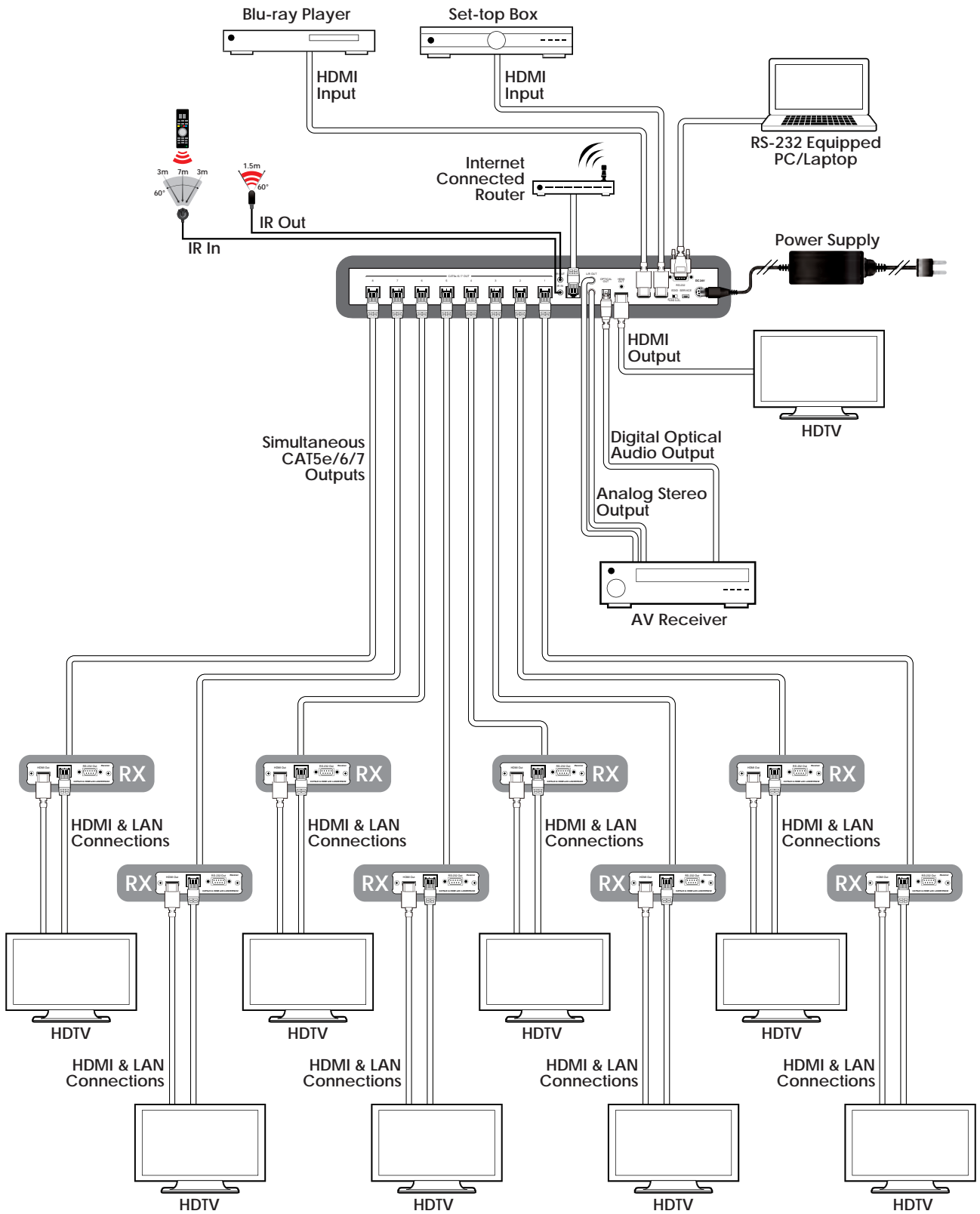
The CVSD-3A is the combination of a 1 by 3 CV and 1 by 3 SV Distribution amplifier with stereo. It accepts one CV and one SV input at the same time and delivers 3 buffered and isolated outputs for each of the CV and SV input. When the CV and SV come from the same source, the CVSD-3A becomes a 1-in 6-out distributor.

- Connects up to 3 Composite Video or S-Video displays
- Bandwidth supports 10MHz (-3dB)
- LED power indicator
- Worldwide power supply



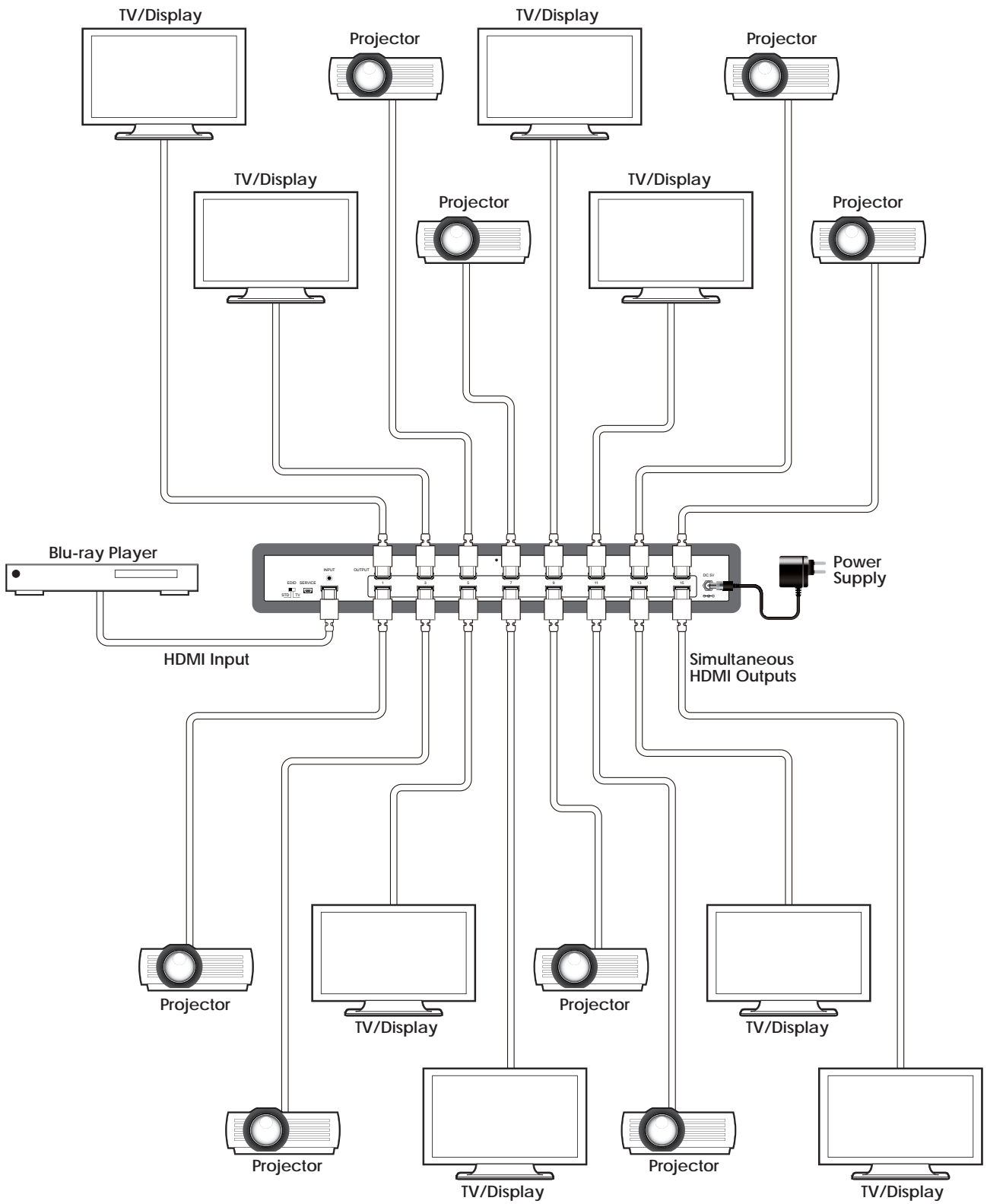
P/N	Inputs	Outputs	4K	3D	ARC	HEC	Deep Color	HD Audio	CEC	EDID	HDCP
CVSD-3A	1xSV, 1xCV	3xSV, 3xCV	-	-	-	-	-	-	-	-	-

CHDBT-2H8CE



SCHEMATIC

CPRO-16E



SCHEMATIC

HDMI Ultra HD Switcher

4x1 HDMI Switcher with Fast Switching

CPRO-U4H1HFS

This 4 by 1 HDMI Switcher enables the switching of four HDMI sources to a single HDMI output, allowing a display or AV Receiver to select between four devices. It supports the latest HDMI features such as 4K2K Ultra HD resolutions, 3D Content, 36-bit Deep Color and High-definition lossless audio formats. It has the added benefit of control via IR remote control, RS-232, IP/Telnet and Web GUI.

- HDMI (with 3D & 4K2K support) and HDCP compliant
- Select any one of four HDMI sources and display on a HDTV display with fast switching between sources
- Supports pass-through of 3D signals
- Supports HDTV resolutions up to 4K2K (3840x2160@24/25/30, 50/60 Y420 and 4096x2160@24, 50/60 Y420)
- Supports HDMI data rates from 300Mbps to 3Gbps and 'Deep Color' up to 1080p/36-bit
- Supports selection of Standard (Fixed) or TV (Downstream) EDID settings
- Supports Audio pass-through of High-definition Audio formats (LPCM 2/5.1/7.1CH, Dolby Digital 2-5.1CH, DTS 2-5.1CH, Dolby TrueHD and DTS-HD Master Audio)
- HDMI inputs support 'Standard' and 'Apple' HDCP modes
- Supports Telnet and Web GUI control



P/N	Inputs	Outputs	4K	3D	ARC	HEC	Deep Color	HD Audio	CEC	EDID	HDCP
CPRO-U4H1HFS	4xHDMI	1xHDMI	Yes	Yes	-	-	Yes	Yes	-	Yes	Yes

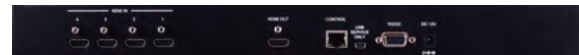
HDMI Full HD Switcher

4x1 HDMI Seamless Quad Switcher

CDPS-41SQ

The CDPS-41SQ is an advanced HDMI switch with integrated Picture-in-Picture (PIP) technology that can be easily configured and controlled. It allows 4 different sources to be selected and arranged on a single display and supports video resolutions up to 1080p and audio up to 8CH/192kHz. Preset hot keys, IR and RS-232/Telnet support allows instant control and switching.

- Integrate 4 HDMI sources to a single display or video wall system
- Seamless switching between channels and windows
- Supports individual channel size and position adjustments
- Zoom, shrink and overlay the source channels
- Supports Fade-In/Fade-Out, Chromakey, Mirror and Rotation (90° left/right and 180° up or down) functions
- Supports Picture-in-Picture (PIP), Picture-out-of-Picture (POP) and multi-window display
- 8 Screen preset hot keys and 4 extra customizable screen setting favourites
- Supports OSD, RS-232, Telnet, Remote and on-panel controls
- Save and recall up to 4 customisable favorite screen arrangements



P/N	Inputs	Outputs	4K	3D	ARC	HEC	Deep Color	HD Audio	CEC	EDID	HDCP
CDPS-41SQ	4xHDMI	1xHDMI	-	-	-	-	Yes	Yes	-	-	Yes

5x1 HDMI/MHL Switcher

CFSW-51MHL

The CFSW-51MHL has MHL (Mobile High-Definition Link) support integrated on its fifth input port. With the MHL port, you can share high definition video and audio from any of your MHL-ready mobile devices on an HDTV, and charge the connected device at the same time. This switcher support 3D 2.25Gbps bandwidth, 12-bit Deep Color, Hi-Def lossless audio and other features defined by HDMI v1.3 specifications, on all of its 5 input ports. The operation of source selection can be done easily through on-panel buttons, IR remote control, or RS-232 protocol.



- With Silicon Image's new InstaPort Technology™
- Supports five HDMI type A with one MHL to HDMI port
- Supports one HDMI type A output
- Supports video resolution up to 1080p@60 Hz
- MHL port can charge the connected mobile device
- Support HDMI specification features, including data rates up to 2.25 Gbps, 12-bit Deep Color
- Supports 3D
- MHL port support 1080p@30 Hz or 1080p@60 Hz

P/N	Inputs	Outputs	4K	3D	ARC	HEC	Deep Color	HD Audio	CEC	EDID	HDCP
CFSW-51MHL	5xHDMI	1xHDMI	-	Yes	-	-	Yes	Yes	-	-	Yes

4x2 HDMI Splitter with HEC

CPRO-3D42S

The CPRO-3D42S is a high performance HDMI switcher with four HDMI inputs and two HDMI outputs. The output ports support Audio Return Channel (ARC) from a compatible ARC TV and HDMI Ethernet Channel (HEC) following the HDMI specification.

The HDMI Switcher provides an S/PDIF link from the HDMI signal and output through the ARC port to an AVR amplifier to get audio from the sink.

The HEC feature adds a network connection to the HDMI link 100 Mbps Ethernet connection. Using an HDMI with HEAC cable allows for the convenient integration of internet capable HEAC Televisions into the end user's home network system.



- Supports multiplexed HDMI 4-input and 2-output
- Two output ports supporting Ethernet Channel (HEC) and Audio Return Channel (ARC) following the HDMI specification
- HDMI supports:
 - Audio Return Channel (ARC)
 - 3D
 - HDMI Ethernet Channel (HEC), enabling high-speed, bi-directional networking at up to 100 Mb/sec
- Deep Color support 36/30/24-bit
- EDID options include Standard, TV or Lock EDID feature
- Supports CEC bypass on HDMI OUT 1
- Audio support:
 - HDMI compatible audio interface
 - S/PDIF pass through

P/N	Inputs	Outputs	4K	3D	ARC	HEC	Deep Color	HD Audio	CEC	EDID	HDCP
CPRO-3D42S	4xHDMI	2xHDMI	-	Yes	Yes	Yes	Yes	Yes	Bypass	Yes	Yes

4x1 HDMI Mountable Switcher

CPRO-41W

This is a high performance four-input & one-output HDMI switcher with digital audio inputs and outputs. It supports an HDCP repeater function and fast switching between any of the four HDMI input ports. The system supports all 3D TV formats in addition to all HDTV formats up to 1080p 12-bit Deep Color. Wall mounted design for specific installations. Premium professional grade unit includes HDCP repeater, Sink EDID, Audio Return Port, Info frame, On Screen Display control, Remote control, RS-232 computer control.

- Support multiplexed HDMI 4-input and 1-output
- HDMI supports Audio Return Channel, 3D, and CEC
- Fast switching on all HDMI input ports
- Character and icon based On-Screen Display (OSD)
- HDCP repeater support
- Deep Color support 36/30/24-bit, 1080p@60 Hz
- HDMI cable distance tested with 1080p 8/12-bit resolution, the input & output distance up to 10m & 15m
- Audio supports HDMI 1.4 compatible audio interface
- Dedicated, flexible audio input/output port, Dolby TrueHD, DTS-HD Master Audio 7.1CH and full audio input and output support



P/N	Inputs	Outputs	4K	3D	ARC	HEC	Deep Color	HD Audio	CEC	EDID	HDCP
CPRO-41W	4xHDMI	1xHDMI	-	Yes	Yes	-	Yes	Yes	Bypass	-	Yes

4x1 HDMI Switcher

CPRO-3D41GAME

The CPRO-3D41GAME is a high performance four-input and one-output High-Definition Multimedia Interface (HDMI) switcher with Audio Channel Return (ARC) and HDCP repeater functions along with fast switching between HDMI input ports. The system supports all 3D TV formats in addition to all HDTV formats up to 1080p 12-bit Deep Color. The included remote control gives users complete control over the selection of sources and makes the device incredibly user friendly.



- Support multiplexed HDMI 4-input and 1-output
- HDCP 1.4 and CEC1.4 compliant
- HDMI support:
 - Audio Return Channel (ARC)
 - 3D TV support
 - CEC1.4
- Fast switching on all HDMI input ports
- Character and icon based On-Screen Display (OSD) supports:
 - System information for Software version
 - Sink EDID
 - Source info frame
 - HDMI input Audio and Audio Return selection
- HDCP repeater support
- Deep Color support 36/30/24-bit, 1080p@60 Hz
- High resolution input and output support:
 - PC: VGA to WUXGA
 - HDTV: 480i to 1080p@50/60 Hz, 1080p@24 Hz
- Supports HDMI input cable lengths of up to 10 meters (8/12-bit) and HDMI output cable lengths of up to 15 meters (8/12-bit)
- Audio support:
 - v1.4 HDMI compatible audio interface
 - Dedicated, flexible audio input/output port
 - Dolby TrueHD or DTS-HD Master Audio bypass
 - Full audio input and output support

P/N	Inputs	Outputs	4K	3D	ARC	HEC	Deep Color	HD Audio	CEC	EDID	HDCP
CPRO-3D41GAME	4xHDMI	1xHDMI	-	Yes	Yes	-	Yes	Yes	Bypass	-	Yes

4x1 HDMI Mountable Switcher

CLUX-41W

The CLUX-41W is an high performance HDMI Switcher with a remote control. It allows your various HDMI sources to share one HDTV display. Simply press a button to select your desired HDMI source to be displayed on the HDTV.

- Deep color video up to 12-bit, 1080p@60Hz
- Four HDMI sources to connect up to a HDMI display simultaneously
- Supports DVI source and DVI display by using adaptor cables
- Supports LPCM 7.1CH, Dolby TrueHD, Dolby Digital Plus and DTS-HD Master Audio transmission (32-192 kHz Fs sample rate)
- Supports a wide range of PC monitor and HDTV resolutions from VGA to UXGA and 480i to 1080p
- Full HDCP Compliant
- Support xvYCC
- Support CEC bypass
- Support Sys. Reset function with hot key switch to reset the system within 8-10 minutes into factory mode



P/N	Inputs	Outputs	4K	3D	ARC	HEC	Deep Color	HD Audio	CEC	EDID	HDCP
CLUX-41W	4xHDMI	1xHDMI	-	Yes	-	-	Yes	Yes	Bypass	-	Yes

3x1 HDMI Switcher

CLUX-31GAME

The CLUX-31GAME allows the user to input three HDMI sources and easily switch between these sources to provide a single HDMI output to a display or AV receiver. The CEC and EDID bypass function allows HDMI devices to turn both the source and display on or off with a simple touch. The Switcher is also DVI compatible when using a DVI to HDMI adaptor cable (available separately), allowing the integration of DVI devices such as PCs with HDMI devices such as Blu-players or game consoles.



- HDMI, HDCP 1.1 and DVI 1.0 compliant
- Supports 30/36-bit color depth display
- Supports High Definition audio – Dolby Digital TrueHD and DTS-HD Master Audio
- Includes an Automatic Signal Enhancement feature that can improve signal quality over long distances
- Supports push-button switching and auto-switching of HDMI sources
- LED indicators for input selection
- Ideal for integrating your game consoles into your home entertainment system
- Supports CEC and EDID bypass functions
- Optional USB Power for simplified installation
- High resolution input supports:
 - PC: VGA, SVGA, XGA, SXGA, UXGA (1600x1200) and 1920x1200(RB)
 - HDTV: 480i, 480p, 576i, 576p, 720p, 1080i and 1080p

P/N	Inputs	Outputs	4K	3D	ARC	HEC	Deep Color	HD Audio	CEC	EDID	HDCP
CLUX-31GAME	3xHDMI	1xHDMI	-	Yes	-	-	Yes	Yes	Bypass	-	Yes

8x1 / 6x1 / 4x1 HDMI CEC Switcher

CLUX-C81C / CLUX-C61C / CLUX-C41C

This is a high performance HDMI switcher that allows for various HDMI sources to share one HDTV display. Features CEC control functions and supports deep color, xvYCC and RS232 control. Simply press one button select your desired HDMI source to display on the HDTV or use remote control to control your sources from a distance. Switching from one HDMI input source to another will no longer be an inconvenience.

- Supports deep color display RGB/YCbCr 4:4:4 24/30/36 bits
- Supports color space YCbCr 4:2:2 16/20/24 bits
- Supports high definition audio – Dolby Digital True HD and DTS-HD
- Signal Enhancement feature allows signal quality improvement after long distance transmission
- HDMI cable distance test with 1080p/8-bit resolution, the input/output can reach up to 15/15 meters. If running at 1080p/12-bit, the input/output can reach at up to 15/6 meters
- Resolutions support up to UXGA and 1080p@24
- With remote control function
- Supports RS-232 operation
- Supports CEC control function
- Supports xvYCC



• CLUX-C81C

P/N	Inputs	Outputs	4K	3D	ARC	HEC	Deep Color	HD Audio	CEC	EDID	HDCP
CLUX-C41C	4xHDMI	1xHDMI	-	Yes	-	-	Yes	Yes	Bypass	-	Yes
CLUX-C61C	6xHDMI	1xHDMI	-	Yes	-	-	Yes	Yes	Bypass	-	Yes
CLUX-C81C	8xHDMI	1xHDMI	-	Yes	-	-	Yes	Yes	Bypass	-	Yes

8x1 / 6x1 HDMI Switcher

CLUX-81 / CLUX-61

High performance HDMI switcher with remote control. Allows your various HDMI sources to share one HDTV display. Simply pressing one button to cycle through to your desired HDMI source or select each directly via the included remote control.

- Signal Enhancement feature allows you to improve signal quality after long distance transmission or poor cables
- LED indicators
- Ideal for home theater integration
- Supports high resolution input:
PC: VGA, SVGA, XGA, SXGA, UXGA and WUXGA (1920 x 1200)
HDTV: 480i, 576i, 480p, 576p, 720p, 1080i, and 1080p
- Remote control
- Easy to install and simple to operate



• CLUX-81

P/N	Inputs	Outputs	4K	3D	ARC	HEC	Deep Color	HD Audio	CEC	EDID	HDCP
CLUX-61	6xHDMI	1xHDMI	-	Yes	-	-	Yes	Yes	-	-	Yes
CLUX-81	8xHDMI	1xHDMI	-	Yes	-	-	Yes	Yes	-	-	Yes

1x4 / 1x3 / 1x2 HDMI Switcher

CLUX-41N / CLUX-31N / CLUX-21N

This series of multi-inputs and one output HDMI switcher ease user with 2/3/4 HDMI sources to be connected together for leisure selection favorites. With both auto and manual input selection it promises image display always and last memory to continue your last favorite input selection. EDID bypass function leave user with displaying its original best resolution. This switcher is also DVI compatible with converter connector.



• CLUX-41N

- HDMI, HDCP 1.1 and DVI 1.0 compliant
- Color depth supports 24/30/36-bit
- Supports high-definition audio such as Dolby Digital TrueHD and DTS-HD Master Audio
- Auto Signal Enhancement that can improve signal quality over long distance
- LED indicators
- EDID bypass
- HDMI 3D signal support
- HDMI input and output resolutions support:
PC: VGA, SVGA, XGA, SXGA, UXGA and WUXGA
HDTV: 480i, 480p, 576i, 576p, 720p@50/60, 1080i@50/60 and 1080p@24/50/60
- Controls via on-panel buttons and remote controller

P/N	Inputs	Outputs	4K	3D	ARC	HEC	Deep Color	HD Audio	CEC	EDID	HDCP
CLUX-21N	2xHDMI	1xHDMI	-	Yes	-	-	Yes	Yes	Bypass	-	Yes
CLUX-31N	3xHDMI	1xHDMI	-	Yes	-	-	Yes	Yes	Bypass	-	Yes
CLUX-41N	4xHDMI	1xHDMI	-	Yes	-	-	Yes	Yes	Bypass	-	Yes

4x1/ 3x1 HDMI Switcher

CLUX-41SY / CLUX-31SY

A high performance HDMI switcher. It allows 3/4 HDMI sources to share on one HDTV display. Simply pressing the input button on the front or the remote to select your desired HDMI source.



• CLUX-41SY

- Support High Definition audio-Dolby Digital True HD and DTS-HD
- Auto Signal Enhancement feature can improve signal quality after long distance transmission
- Supports PC resolution input VGA, SVGA, XGA, SXGA, UXGA (1600 x 1200) and 1920 x 1200 and HDTV 480i, 480p, 576i, 576p, 720p, 1080i and 1080p
- Includes remote control

P/N	Inputs	Outputs	4K	3D	ARC	HEC	Deep Color	HD Audio	CEC	EDID	HDCP
CLUX-31SY	3xHDMI	1xHDMI	-	Yes	-	-	Yes	Yes	-	-	Yes
CLUX-41SY	4xHDMI	1xHDMI	-	Yes	-	-	Yes	Yes	-	-	Yes

4x2 HDMI Switcher

CLUX-42S

High performance 4 Way HDMI Switcher with dual HDMI splitter output to two monitors. Quality metal cased unit with remote control.

- Deep color video up to 12bit, 1080p@60Hz
- Four HDMI sources to connect up to two HDMI displays
- One source simultaneously on two monitors
- Supports DVI source and DVI display by using adaptor cable
- Dolby Digital, DTS digital audio transmission (32-192kHz).
- Supports a wide range of PC and HDTV resolutions from VGA to UXGA and 480i to 1080p
- HDMI cable distance test with 1080p resolution: Input/Output source can run up to 10-15m
- Full HDCP compliant



P/N	Inputs	Outputs	4K	3D	ARC	HEC	Deep Color	HD Audio	CEC	EDID	HDCP
CLUX-42S	4xHDMI	2xHDMI	-	Yes	-	-	Yes	Yes	-	-	Yes

4x2 HDMI Switcher

CLUX-42E

This is a high performance HDMI Distributor with Switcher. It allows your various HDMI source to share two HDTV display. Simply press one button to select your desired HDMI source to display on the HDTV. It is compatible to HDMI specifications that can transfer Deep Color (10-bit and 12-bit) video and new lossless compressed (LPCM 7.1CH, Dolby TrueHD, Dolby Digital Plus and DTS-HD Master Audio) digital audio, with a high bandwidth up to 225MHz (6.75Gbps). It also does signal amplification and equalization, so as to provide high performance I/O of audio and video.

- HDMI, HDCP1.1 and DVI1.0 compliant
- Deep color video up to 12bit, 1080p@ (24/60) Hz
- Four HDMI sources to connect up to two HDMI displays simultaneously
- Supports DVI source and DVI display by using HDMI to/from DVI adaptor cable
- Supports LPCM 7.1CH, Dolby TrueHD, Dolby Digital Plus and DTS-HD Master Audio transmission (32-192kHz Fs sample rate)
- Supports a wide range of PC and HDTV resolutions from VGA to UXGA and 480i to 1080p
- Supports signal amplification and equalization before transmitting
- Support xvYCC



- Support CEC bypass
- HDMI cable distance test with 1080p/8bits resolution the, Input/Output source can run up to 20/15 meters. If 1080p/12bits the Input/Output source can run up to 20/15 meters
- Supports EDID functionality. The unit will detect the first HDMI/DVI output source's EDID and record in the unit. If the first detected output source is empty it will pass to next source, until the first HDMI/DVI been detected
- When user reconnected ALL the output sources or re-plug the power, the system will automatically recover the EDID

P/N	Inputs	Outputs	4K	3D	ARC	HEC	Deep Color	HD Audio	CEC	EDID	HDCP
CLUX-42E	4xHDMI	2xHDMI	-	Yes	-	-	Yes	Yes	-	-	Yes

4x2 HDMI Switcher with Analog Audio

CLUX-42SA

High performance 4 Way HDMI Switcher with dual HDMI splitter output to two monitors. Quality metal cased unit with remote control. Optional Stereo Analogue (L/R) Inputs converted to digital audio and inserted into the HDMI line if required.

- Deep color video up to 12bit, 1080p@60Hz
- Four HDMI sources to connect up to two HDMI displays View
- One source simultaneously on two monitors
- Supports DVI source and DVI display by using adaptor cable
- Dolby Digital, DTS digital audio transmission (32-192kHz)
- Supports a wide range of PC and HDTV resolutions from VGA to UXGA and 480i to 1080p
- HDMI cable distance test with 1080p resolution: Input/Output source can run up to 10-15m
- Full HDCP Compliant
- Optional Stereo L/R Inputs to HDMI output



P/N	Inputs	Outputs	4K	3D	ARC	HEC	Deep Color	HD Audio	CEC	EDID	HDCP
CLUX-42SA	4xHDMI	2xHDMI	-	Yes	-	-	Yes	Yes	-	-	Yes

4x1 HDMI Switcher with Digital Audio

CLUX-41AT

A high performance HDMI Switcher with a remote control. It allows your various HDMI sources to share one HDTV display. Simply press a button to select your desired HDMI source to be displayed on the HDTV.

- Supports 30/36 bit color depth display
- Supports High Definition audio-Dolby Digital, True HD and DTS-HD Master Audio
- Signal enhancement feature allows you to improve signal quality after long distance transmission
- Supports input/output resolutions:
PC: VGA, SVGA, XGA, SXGA, UXGA (1600x1200) and WUXGA (1920x1200)
HDTV: 480i, 480p, 576i, 576p, 720p, 1080i and 1080p
- Remote control



P/N	Inputs	Outputs	4K	3D	ARC	HEC	Deep Color	HD Audio	CEC	EDID	HDCP
CLUX-41AT	4xHDMI	1xHDMI	-	Yes	-	-	Yes	Yes	System Reset	-	Yes

4x2 HDMI Switcher

CLUX-4S2

The 4x2 HDMI switch allows four HDMI sources such as DVD/BLU-Ray players to send audio/video signals to two HDMI displays. Thanks to the included remote control you no longer have to manually connect your various gadgets, all you have to do is plug them into the CLUX-4S2 and using the remote to decide which source goes to which display.

- Supports HDMI with Deep Color Video at up to 36 bits (12bits/color) and a new lossless compressed (Dolby TrueHD, Dolby Digital Plus and DTS-HD Master Audio) digital audio
- Equalizes and recovers incoming TMDS data before re-transmitting it with perfect quality regardless of the incoming signal



- Supports high definition input/output at up to 1080p@60Hz
- Supports CEC function

P/N	Inputs	Outputs	4K	3D	ARC	HEC	Deep Color	HD Audio	CEC	EDID	HDCP
CLUX-4S2	4xHDMI	2xHDMI	-	Yes	-	-	Yes	Yes	Bypass	-	Yes

4x1 HDMI Switcher

CLUX-41AP

A high performance HDMI Switcher with a remote control. It allows your various HDMI sources to share one HDTV display. Simply press a button to select your desired HDMI source to be displayed on the HDTV.

- Supports 30/36 bit color depth display
- Supports High Definition audio-Dolby Digital, True HD and DTS-HD
- Signal enhancement feature allows you to improve signal quality after long distance transmission
- Supports high resolution input:
PC: VGA, SVGA, XGA, SXGA, UXGA and 1920x200
HDTV: 480i, 480p, 576i, 576p, 720p, 1080i and 1080p
- Remote control



P/N	Inputs	Outputs	4K	3D	ARC	HEC	Deep Color	HD Audio	CEC	EDID	HDCP
CLUX-41AP	4xHDMI	1xHDMI	-	Yes	-	-	Yes	Yes	-	-	Yes

4x2 HDMI Switcher

CHDMI-42E

Cypress CHDMI-42E is a high performance 4-input dual outputs HDMI switcher with remote control. It allows you to connect up to 4 HDMI Sources so they can share two HDMI displays. Two HDMI outputs are identical. Simply pressing one button you can select your desired HDMI source for display on two HDMI TVs simultaneously.

- Signal Enhancement feature allow you to improve signal quality after long distance transmission
- Supports high resolution input:
PC: VGA, SVGA, XGA, SXGA, and UXGA (1600x1200)
HD: 480i, 576i, 480p, 576p, 720p, 1080i, and 1080p
- Remote control



P/N	Inputs	Outputs	4K	3D	ARC	HEC	Deep Color	HD Audio	CEC	EDID	HDCP
CHDMI-42E	4xHDMI	2xHDMI	-	-	-	-	-	-	-	-	Yes

4x1 HDMI Switcher with Digital Audio

CHDMI-41AT

A high performance HDMI select switch with remote control. It is to be placed between your various HDMI sources and HDTV display. Simply pressing a button on the front or the remote can select your desired HDMI source for display on the HDTV.

- Built-in signal enhancer to improve signal quality after long distance transmission or poor cable quality, etc
- Supports high resolution input:
 - PC: VGA, SVGA, XGA, SXGA, and UXGA (1600x1200)
 - HD: 480i, 576i, 480p, 576p, 720p, 1080i, and 1080p
- Direct source select remote control included with all models



- Supports separate Coax & Optical audio switch
- Supports RS-232 control port

P/N	Inputs	Outputs	4K	3D	ARC	HEC	Deep Color	HD Audio	CEC	EDID	HDCP
CHDMI-41AT	4xHDMI	1xHDMI	-	-	-	-	-	-	-	-	Yes

4x1 / 3x1 HDMI Switcher

CHDMI-41 / CHDMI-31

The CHDMI-41/CHDMI-31 is a high performance HDMI switcher with remote control. It allows your various HDMI sources to share one HDTV. Simply pressing one button to select your desired HDMI source for display on the HDTV.

- HDMI 1.2, HDCP 1.1 and DVI 1.0 compliant
- Signal Enhancement feature allows you to improve signal quality after long distance transmission
- Supports PC resolution input: VGA, SVGA, XGA, SXGA, and UXGA (1600 x 1200)&
- Supports HDTV resolution input: 480i, 576i, 480p, 576p, 720p, 1080i, and 1080p
- Remote control



• CHDMI-41

P/N	Inputs	Outputs	4K	3D	ARC	HEC	Deep Color	HD Audio	CEC	EDID	HDCP
CHDMI-31	3xHDMI	1xHDMI	-	-	-	-	-	-	-	-	Yes
CHDMI-41	4xHDMI	1xHDMI	-	-	-	-	-	-	-	-	Yes

DVI Switcher

8x1 / 6x1 / 4x1 / 3x1 DVI Switcher

CDVI-81 / CDVI-61 / CDVI-41 / CDVI-31

This DVI Switcher series are high performance components with remote. Place between your various DVI input sources and a DVI display monitor.

- Signal enhancer to improve image quality compensates cable losses
- Supports PC resolution input VGA, SVGA, XGA, SXGA, and UXGA (1600x1200) and HDTV 480i, 576i, 480p, 576p, 720p, 1080i and 1080p @60Hz



• CDVI-81

P/N	Inputs	Outputs	4K	3D	ARC	HEC	Deep Color	HD Audio	CEC	EDID	HDCP
CDVI-31	3xDVI-SL	1xDVI-SL	-	-	-	-	-	-	-	-	Yes
CDVI-41	4xDVI-SL	1xDVI-SL	-	-	-	-	-	-	-	-	Yes
CDVI-61	6xDVI-SL	1xDVI-SL	-	-	-	-	-	-	-	-	Yes
CDVI-81	8xDVI-SL	1xDVI-SL	-	-	-	-	-	-	-	-	Yes

Analog Video Switcher

4x1 VGA Switcher

CPCD-41AR

The CPCD-41AR is perfect solution for switching between various PC/HDTV sources such as PCs, DVD to share one display monitor, TV or projector with resolution up to WUXGA/1080p.

- IR remote control
- Supports high resolution PC input: VGA, SVGA, XGA, SXGA,UXGA(1600x 1200) and WUXGA(1920x1200)
- Supports high resolution HDTV input: 480i, 576i, 480p, 576p, 720p. 1080i and 1080p
- Bandwidth supports 650 MHz
- Plug and play, easy to install and operate
- Built-in advance circuit ensures a smooth transition



- when switching from one PC/HD source into another
- RS-232 interface allows control from a distant device
- Ideal for presentation and large shop integration
- Audio format: L/R analog

P/N	Inputs	Outputs	4K	3D	ARC	HEC	Deep Color	HD Audio	CEC	EDID	HDCP
CPCD-41AR	4xVGA	1xVGA	-	-	-	-	-	-	-	-	-

4x1 Component Video Switcher

CHDD-41AR

The CHDD-41AR is designed for switching between various HD and SD sources for sharing one TV display. Simply pressing a button on remote control you can select your desired HD/SD source for display on the TV monitor.

- High bandwidth performance 650MHz at -3dB
- IR remote control
- Easy to install and operate- plug and play solution gets to work immediately
- Controls either through input selection button on the front panel or using included infrared remote control
- RS-232 interface allows control from a distant device.
- Supports 480i, 576i, 480p, 576p, 720p, 1080i and 1080p
- Supports audio formats: S/PDIF (digital) and L/R (analog)



P/N	Inputs	Outputs	4K	3D	ARC	HEC	Deep Color	HD Audio	CEC	EDID	HDCP
CHDD-41AR	4xComponent Video	1xComponent Video	-	-	-	-	-	-	-	-	-

4x1 Composite Video/S-Video Switcher

CVSD-41ARN

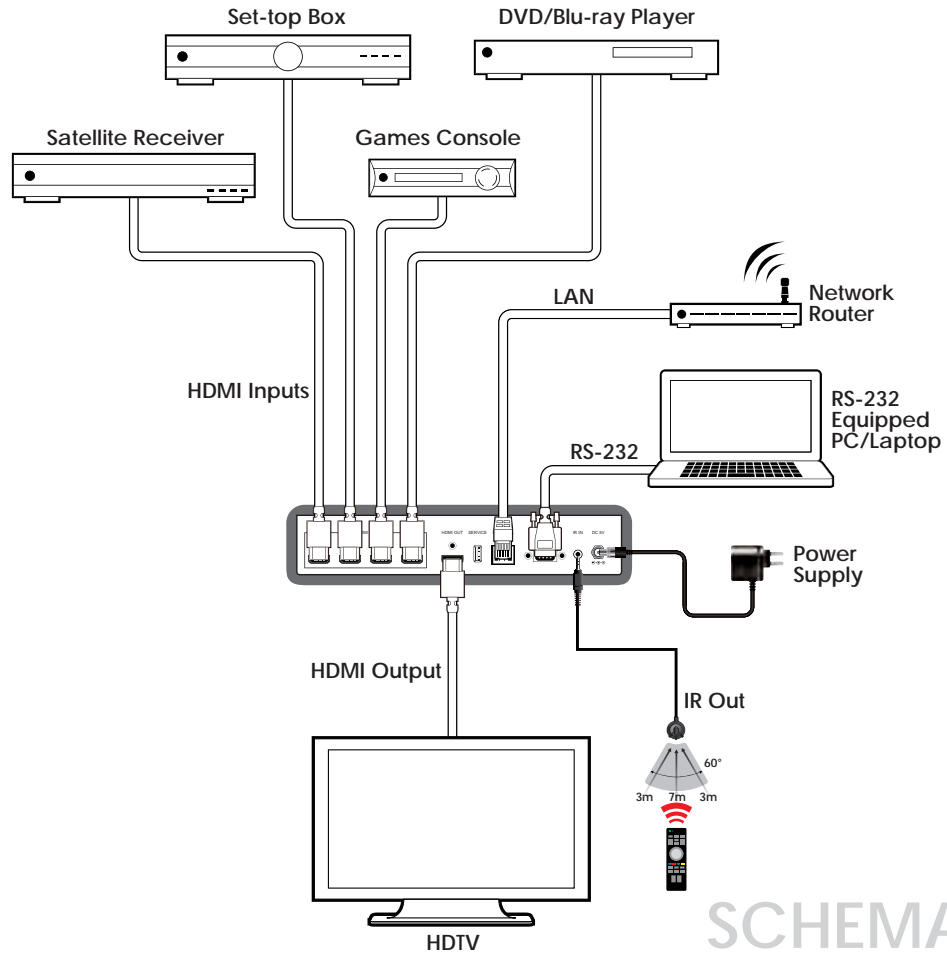
The CVSD-41ARN is designed for switching between video & S-video sources. Such as VCR,DVD player, etc. to share one TV display.

- IR remote control
- Supports standard video sources: 480i, 576i.
- Controls either through input selection button on the front panel or using included infrared remote control
- RS-232 interface allows control from a distant device
- Support audio format: L/R (analog) or PC AMP speaker system (option)



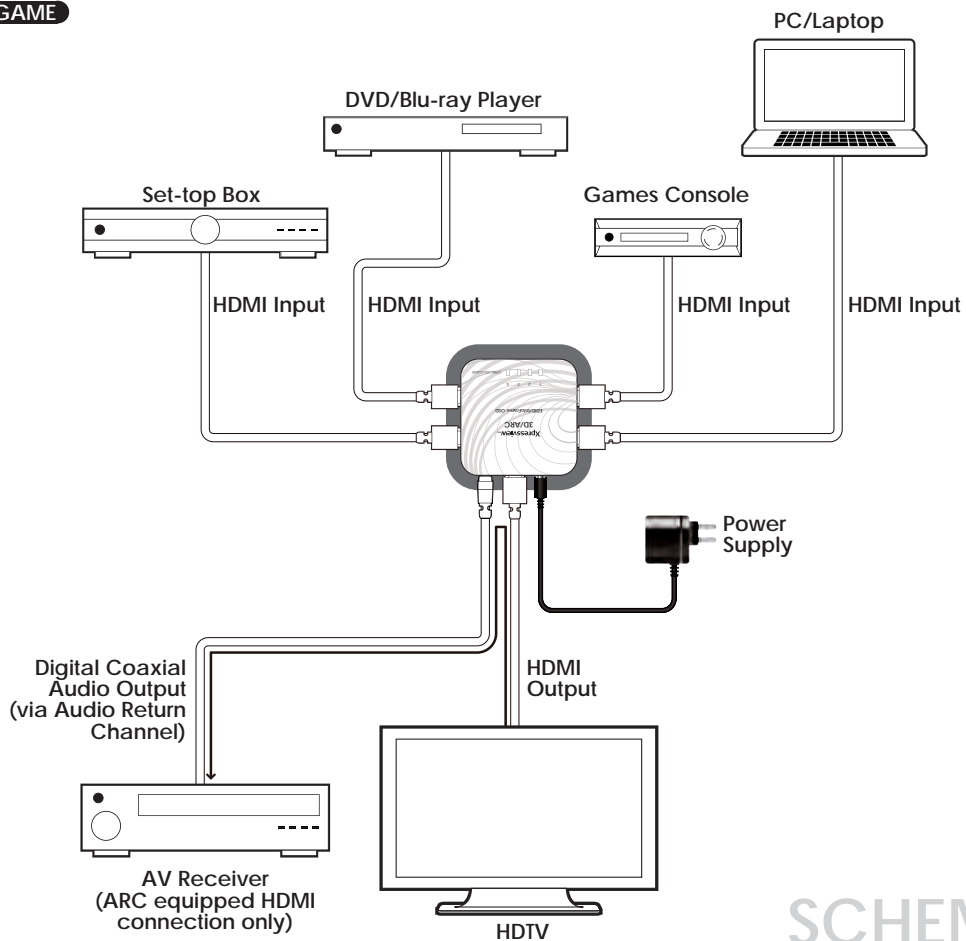
P/N	Inputs	Outputs	4K	3D	ARC	HEC	Deep Color	HD Audio	CEC	EDID	HDCP
CVSD-41ARN	4xSV, 4xCV	1xSV, 1xCV	-	-	-	-	-	-	-	-	-

CPRO-U4H1HFS



SCHEMATIC

CPRO-3D41GAME



SCHEMATIC

HDMI/DVI over HDBaseT 100m Extender

HDMI/VGA over CAT5e/6/7 Transmitter with Video Scaling

CH-520TXAHS



This HDMI/VGA over CAT5e/5/7 Transmitter with Video Scaling allows the transmission of uncompressed video and audio, as well as bi-directional IR control, RS-232 pass-through, bi-directional Power over Cable (PoC) that can power receivers and LAN serving that allows a connected device to share a network over a single CAT5e/6/7 cable up to 100m. The unit can be controlled via IR remote control and RS-232, with all information including system status, presented on its comprehensive onscreen display (OSD). The integrated scaler supports a full range of output resolutions, up to 1080p for HDTV resolutions and WUXGA (RB) for PC resolutions.



- Supports scaling of the HDMI/PC input to a wide range of HDTV and PC output resolutions
- Transmission of uncompressed data over a single 100m/328 ft CAT5e/6/7 cable to a compatible receiver
- HDBaseT 5Play™ convergence: High-Definition Video and Audio, 100BaseT Ethernet, PoC and Control (Bidirectional IR/RS-232 pass-through)
- Supports control of the unit via IR, Remote control, RS-232 and on-panel controls
- Features on-screen display (OSD) selection and display of system settings and information
- Supports bi-directional 24V DC Power over Cable (PoC) to or from compatible Receivers over CAT5e/6/7 cable
- Supports Ethernet transmission rates up to 100Mbps to compatible receivers

P/N	Inputs	Outputs	4K	3D	HD Audio	IR	RS-232	Ethernet	PoC	Cable Length	HDCP
CH-520TXAHS	1xHDMI, 1xVGA	1xCAT5e/6/7	-	-	-	Yes	Yes	Yes	Yes	100m (328ft)	Yes

HDMI over CAT5e/6/7 Receiver with Video Scaling

CH-521RXHS



This HDMI over CAT5e/5/7 Transmitter with Video Scaling allows the transmission of uncompressed video and audio, as well as bi-directional IR control, RS-232 pass-through, bi-directional Power over Cable (PoC) that can power receivers and LAN serving that allows a connected device to share a network over a single CAT5e/6/7 cable up to 100m. The unit can be controlled via IR remote control and RS-232, with all information including system status presented on its comprehensive onscreen display (OSD). The integrated scaler supports a wide range of output resolutions, up to 1080p for HDTV resolutions and WUXGA (RB) for PC resolutions. For additional flexibility, there is an Audio De-Embedding function which allows digital optical audio(extracted from HDMI input) output into a wider AV system or direct connection to an AV Receiver.



- Supports scaling of the HDMI input to full range of HDTV and PC output resolutions
- Supports a wide range of HDTV and PC output resolutions up to 1080p and WUXGA (RB)
- Receives uncompressed data over a single 100m/328 ft CAT5e/6/7 cable from a compatible transmitter unit
- HDBaseT 5Play™ convergence: High-Definition Video and Audio, 100BaseT Ethernet, PoC and Control (Bidirectional IR/RS-232 pass-through)
- Supports control via IR, Remote control, RS-232 (bypass) and on-panel controls
- Features on-screen display (OSD) selection and display of system settings and information
- Supports bi-directional 24V DC Power over Cable (PoC) to or from compatible Transmitters over CAT5e/6/7 cable
- Supports Ethernet transmission rates up to 100Mbps to compatible receivers
- Supports HDMI, Optical (S/PDIF) audio sampling rates up to 48kHz
- Supports HDMI and Optical (S/PDIF) audio up to LPCM 2CH

P/N	Inputs	Outputs	4K	3D	HD Audio	IR	RS-232	Ethernet	PoC	Cable Length	HDCP
CH-521RXHS	1xHDMI, 1xCAT5e/6/7	1xHDMI	-	-	-	Yes	Yes	Yes	Yes	100m (328ft)	Yes

VGA/CV over CAT5e/6/7 Transmitter with Video Scaling

CH-516TXAS



The CH-516TXAS is an HDBaseT™ Transmitter Scaler supporting PC or Composite Video input. It can scale and switch the video sources, and send the digitalized signal over a single run of CAT5e/6/7 cable to the Receiver at a distance up to 100 meters, along with an external audio input, 2-way IR, RS-232 and bidirectional LAN serving. Control is via on-panel buttons or IR remote control and there is an On-screen Display (OSD) providing selection and system information. The device provides a full range of output resolutions, up to 1080p and WUXGA (RB). The bidirectional Power over Cable (PoC) function provides greater flexibility in installations.



- Supports PC/CV scaling to a full range of HDTV or PC resolutions up to 1080p and WUXGA (RB)
- Transmission of uncompressed data over a single CAT5e/6/7 cable up to 100m/328ft
- HDBaseT 5Play™ convergence: High-Definition Video and Audio, 100BaseT Ethernet, PoC and Control (Bidirectional IR/RS-232 pass-through)
- Supports Ethernet transmission rates up to 100 Mbps
- Supports bidirectional PoC, that is, when it's connected to a compatible Receiver either end can work without PSU

- Controls via IR remote control and on-panel buttons
- Supports NTSC and PAL formats for Composite Video input
- Supports OSD (On-screen Display) selection and system information display

P/N	Inputs	Outputs	4K	3D	HD Audio	IR	RS-232	Ethernet	PoC	Cable Length	HDCP
CH-516TXAS	1xVGA, 1xCV	1xCAT5e/6/7	-	-	-	Yes	Yes	Yes	Yes	100m (328ft)	Yes

HDMI over CAT5e/6/7 Receiver with Video Scaling

CH-517RXHS



The CH-517RXHS is an HDBaseT™ Receiver Scaler designed to scale the incoming video signal first, before output to its HDMI port. There is an Optical port providing additional audio extraction feature. Besides video and audio from the Transmitter, it also takes in 2-way IR, RS-232 and bidirectional LAN serving, over a single run of CAT5e/6/7 cable at a distance up to 100 meters. Control is via on-panel buttons or IR remote control and there is an On-screen Display (OSD) providing selection and system information. The device provides a full range of output resolutions, up to 1080p and WUXGA (RB). The bidirectional Power over Cable (PoC) function provides greater flexibility in installations.



- Supports HDMI scaling to a full range of HDTV or PC resolutions up to 1080p and WUXGA (RB)
- Transmission of uncompressed data over a single CAT5e/6/7 cable up to 100m/328ft
- HDBaseT 5Play™ convergence: High-Definition Video and Audio, 100BaseT Ethernet, PoC and Control (Bidirectional IR/RS-232 pass-through)
- Supports Ethernet transmission rates up to 100 Mbps
- Supports bidirectional PoC, that is, when it's connected to a compatible Transmitter either end can work without PSU

- Controls via IR remote control and on-panel buttons
- Supports HDMI and S/PDIF audio sampling rates up to 48 kHz and audio format up to LPCM 2CH
- Supports OSD (On-screen Display) selection and system information display

P/N	Inputs	Outputs	4K	3D	HD Audio	IR	RS-232	Ethernet	PoC	Cable Length	HDCP
CH-517RXHS	1xCAT5e/6/7	1xHDMI	-	-	-	Yes	Yes	Yes	Yes	100m (328ft)	Yes

HDMI over CAT5e/6/7 Extender with 48V PoE

CH-1601TX

CH-1601RX



This HDMI and Audio over Single CAT5e/6/7 Transmitter and Receiver set can send uncompressed audio/video along with control, IP and USB data over a single run of CAT5e/6/7 cable up to 100m. It has the added benefit of control through the built-in RS-232 and IR ports. With a bi-directional LAN serving connection. There is a bi-directional digital audio capability that gives users the convenience of an additional audio connection. This system also allows the connection of any USB host, enabling a USB connection to up to 2 USB ports, giving the Receiver the ability to act like a USB hub. The 48V PoE design can power the Receiver (PD) from the Transmitter (PSE), eliminating the need for a separate power supply for the Receiver.

- Supports HDBaseT 2.0 specification over a single CAT5e/6/7 cable up to 100m/328ft
- Fully compliant with HDMI 1.4, and compatible with HDMI 2.0 (4K2K 60Hz with 4:2:0)
- Receiver features 2 USB 2.0 ports
- HDMI (with 3D & 4K2K support), HDCP and DVI compliant
- HDBaseT 5Play™ convergence: High-Definition Video and Audio, 100BaseT Ethernet, PoC and Control (Bidirectional IR/RS-232 pass-through)
- Supports pass-through of audio formats: LPCM 2/5.1/7.1CH, Dolby Digital 2-5.1CH, DTS 2-5.1CH, Dolby Digital Plus, Dolby TrueHD and DTS-HD Master Audio
- Supports 100Mbps Ethernet capabilities
- Bidirectional LAN and external digital audio capability

P/N	Inputs	Outputs	4K	3D	HD Audio	IR	RS-232	Ethernet	PoC	Cable Length	HDCP
CH-1601TX CH-1601RX	1xHDMI	1xHDMI	Yes	Yes	Yes	Yes	Yes	Yes	Yes	100m (328ft)	Yes

HDMI over CAT5e/6/7 Extender with 48V PoE

CH-1527TX

CH-1527RX



This HDMI over Single CAT5e/6/7 Transmitter and Receiver set can send uncompressed audio/video and IP data over a single run of CAT5e/6/7 cable up to a distance of 100 meters. It has the added benefit of control through the built-in RS-232 and IR ports and a bi-directional LAN serving connection. The Receiver (PD) can be powered by the PoE 48V function of the Transmitter (PSE), allowing for greater flexibility in installations.

- HDMI (with 3D and 4K2K support) and DVI compliant
- Supports CEC bypass function
- Simultaneous transmission of uncompressed data over a single 100m/328ft CAT5e/6/7 cable
- HDBaseT 5Play™ convergence: High-Definition Video and Audio, 100BaseT Ethernet, PoC and Control (Bidirectional IR/RS-232 pass-through)
- Supports resolutions up to 4K2K@50/60Hz (YUV420) and 21:9 aspect ratio
- Supports standard 48V from Transmitter (PSE) to Receiver (PD)
- Supports HDMI Input/Output cable lengths up to 10m at 4K2K@50/60Hz (YUV420)

P/N	Inputs	Outputs	4K	3D	HD Audio	IR	RS-232	Ethernet	PoC	Cable Length	HDCP
CH-1527TX CH-1527RX	1xHDMI	1xHDMI	Yes	Yes	Yes	Yes	Yes	Yes	Yes	100m (328ft)	Yes

HDMI over CAT5e/6/7 Extender with 48V PoE

CH-1507TX

CH-1507RX



The CH-1507 transmitter and receiver set can send uncompressed audio/video and IP data over a single run of CAT5e/6/7 cable at a distance up to 100 meters. It has the added benefit of control through the built-in RS-232 and IR ports and a bi-directional LAN serving connection. The Receiver (PD) can be powered by the PoE (48V) function of the transmitter (PSE), allowing for greater flexibility in installations.

- HDMI with 3D, 4K2K support, HDCP and DVI compliant
- Simultaneous transmission of uncompressed data over a single CAT5e/6/7 cable up to 100m/328ft
- HDBaseT 5Play™ convergence: uncompressed high definition Video and Audio, LAN serving, Power over Ethernet and RS-232/IR controls
- Uncompressed video support up to 1080p@60 Hz/36-bit
- High definition audio support up to LPCM 7.1CH, Dolby TrueHD, Dolby Digital Plus and DTS-HD Master Audio
- Supports audio sampling rates of 32 kHz to 192 kHz
- Supports standard 48V power from Transmitter (PSE) to Receiver (PD)
- Supports CEC bypass
- Installation friendly

P/N	Inputs	Outputs	4K	3D	HD Audio	IR	RS-232	Ethernet	PoC	Cable Length	HDCP
CH-1507TX CH-1507RX	1xHDMI	1xHDMI	Yes	Yes	Yes	Yes	Yes	Yes	Yes	100m (328ft)	Yes

HDMI over CAT5e/6/7 Extender with 48V PoE

CH-2507TX

CH-2507RX



The CH-2507 transmitter and receiver set can send uncompressed audio/video and IP data over a single run of CAT5e/6 cable at a distance up to 100 meters with the added benefit of control through the built-in RS-232 and IR ports and a bidirectional LAN serving connection. The transmitter (PD) can be powered by the PoE (48V) function of the receiver (PSE), allowing for greater flexibility in installations.

- HDMI with 3D, 4K2K support, HDCP and DVI compliant
- Simultaneous transmission of uncompressed data over a single CAT5e/6/7 cable up to 100m/328ft
- HDBaseT 5Play™ convergence: uncompressed high definition Video and Audio, LAN serving, Power over Ethernet and RS-232/IR controls
- Uncompressed video support up to 1080p@60 Hz/36-bit
- High definition audio support up to LPCM 7.1CH, Dolby TrueHD, Dolby Digital Plus and DTS-HD Master Audio
- Supports audio sampling rates of 32 kHz to 192 kHz
- Support standard 48V power from Receiver (PSE) to Transmitter (PD)
- Supports CEC bypass
- Installation friendly

P/N	Inputs	Outputs	4K	3D	HD Audio	IR	RS-232	Ethernet	PoC	Cable Length	HDCP
CH-2507TX CH-2507RX	1xHDMI	1xHDMI	Yes	Yes	Yes	Yes	Yes	Yes	Yes	100m (328ft)	Yes

HDMI over CAT5e/6/7 Extender with 6 LAN Ports

CH-1109TXC

CH-1109RXC



The device that can make your home or office more efficient, the CH-1109TXC & RXC is capable of sending HDMI (uncompressed audio/video), Ethernet connections and control ports (through the built-in RS-232 and IR ports) over a single CAT5e/CAT6 up to a distance of 100m (300 ft.). Even more, it is adaptor free at the receiver end. Further, with the HDMI bypass is designed to allow instant display at the control point. So, if you wish to make your home or office more efficient, get the HDMI over Single CAT5e/CAT6 with LAN/PoC & IR Extender and prepare to be amazed.

- Supports HDMI 3D, 4K2K resolution and CEC bypass functions
- Simultaneous transmission of uncompressed video and audio (1080p@60Hz/-Deep Color) over a single CAT5e/ CAT6 type cable for up to 100 m (300 ft.)
- Connect and share up to 6 Ethernet connections at speeds up to 100 Mbps
- 5Play™ convergence
- Single power supply powers both units
- Supports PoC (Power over Cable)

P/N	Inputs	Outputs	4K	3D	HD Audio	IR	RS-232	Ethernet	PoC	Cable Length	HDCP
CH-1109TXC CH-1109RXC	1xHDMI	1xHDMI	Yes	Yes	Yes	Yes	Yes	Yes	Yes	100m (328ft)	Yes

HDMI over CAT5e/6/7 Extender with Bidirectional 24V PoC

CH-507TXBD

CH-507RXBD



The HDMI with RS-232 over Single CAT5e/6 transmitter and receiver set can send uncompressed audio/video over a single run of CAT5e/6 cable up to 100 m with PoC feature and the added benefit of control through the built-in RS-232 and IR ports and a bi-directional LAN connection.

- HDMI with 3D, 4K2K support, HDCP & DVI Compliant
- Supports CEC bypass
- Simultaneous transmission of uncompressed data over a single 100 m/328 ft CAT5e/6 cable
- Uncompressed video 1080p, 60 Hz, 36-bit
- Audio support up to 7.1CH & Dolby TrueHD, DTS-HD
- 5Play™ convergence: HDMI, LAN, Bidirectional PoC & Control (IR & RS-232)

P/N	Inputs	Outputs	4K	3D	HD Audio	IR	RS-232	Ethernet	PoC	Cable Length	HDCP
CH-507TXBD CH-507RXBD	1xHDMI	1xHDMI	Yes	Yes	Yes	Yes	Yes	Yes	Yes	100m (328ft)	Yes

HDMI over CAT5e/6/7 Extender

CH-507TX



The HDMI with RS-232 over Single CAT5e/CAT6 transmitter and receiver set can send uncompressed audio/video over a single run of CAT5e/6 cable up to 100 m with PoC feature and the added benefit of control through the built-in RS-232 and IR ports and a bi-directional LAN connection.

CH-507RX



- HDMI with 3D, 4K2K support, HDCP & DVI Compliant
- Supports CEC bypass
- Simultaneous transmission of uncompressed data over a single 100 m/328 ft CAT6/CAT5e cable
- Uncompressed video 1080p, 60 Hz, 36-bit
- Audio support up to 7.1CH & Dolby TrueHD, DTS-HD
- 5Play™ convergence: HDMI, LAN, PoC & Control (IR & RS-232)

P/N	Inputs	Outputs	4K	3D	HD Audio	IR	RS-232	Ethernet	PoC	Cable Length	HDCP
CH-507TX CH-507RX	1xHDMI	1xHDMI	Yes	Yes	Yes	Yes	Yes	Yes	Yes	100m (328ft)	Yes

HDMI over CAT5e/6/7 Extender

CH-506TX



This HDBaseT™ HDMI over Single CAT5e/6/7 Transmitter and Receiver Set can send uncompressed audio/video over a single run of CAT5e/6/7 cable up to 100m (1080p) and has the added benefit of control through the built-in RS-232 and 2-way IR.

CH-506RX



- HDMI including 3D and 4K2K (Ultra HD) support, HDCP and DVI compliant
- Supports HDCP repeater and CEC functions
- Simultaneous transmission of uncompressed data over a single CAT5e/6/7 cable up to 100 m/328 ft (1080p@60 Hz/8-bit), 40m (3D) or 20m (4K2K)
- Supports HD resolutions up to 1080p@60Hz/36-bit and Ultra HD (4K2K)
- Audio support up to LPCM 7.1CH, Dolby TrueHD and DTS-HD Master Audio
- Supports HDBaseT Technology including 2-Way IR and RS-232
- Installation friendly

P/N	Inputs	Outputs	4K	3D	HD Audio	IR	RS-232	Ethernet	PoC	Cable Length	HDCP
CH-506TX CH-506RX	1xHDMI	1xHDMI	Yes	Yes	Yes	Yes	Yes	-	-	100m (328ft)	Yes

HDMI over CAT5e/6/7 Extender

CH-501TX



The HDMI over Single CAT5e/6/7 with IR transmitter and receiver set can make your home or office set-up more efficient and easy to use. Uncompressed HDMI video and audio can be transmitted over a single CAT5e/6/7 cable with the added benefit of control through the built-in RS-232 and IR ports up to 100m. It also features a HDMI bypass function that allows for local testing of the HDMI source.

CH-501RX



- Supports HDMI with 3D, 4K2K support, HDCP and DVI Compliant
- Supports CEC bypass function
- Simultaneous transmission of uncompressed data up to 100 m/328 ft for CAT5e/6/7 cable
- Uncompressed video 1080p, 60 Hz, 36-bit
- Supports pass-through of High-definition Audio up to LPCM 7.1CH, Dolby TrueHD and DTS-HD Master Audio
- Various controls over HDMI, CEC, RS232 and IR

P/N	Inputs	Outputs	4K	3D	HD Audio	IR	RS-232	Ethernet	PoC	Cable Length	HDCP
CH-501TX CH-501RX	1xHDMI	1xHDMI	Yes	Yes	Yes	Yes	Yes	-	-	100m (328ft)	Yes

DVI over CAT5e/6/7 Extender with 4 LAN Ports

CDVI-1109TXC



The HDBase™ DVI over CAT5e/6/7 Transmitter and Receiver set can send uncompressed video and audio with IP and control (IR/RS-232) data over a single run of CAT5e/6/7 cable up to 100 meters. Additionally, it has Power over CAT5e/6/7 (PoC) functionality that allows for greater flexibility in installations and LAN serving for up to 4 connections (2 on the receiver, 2 on the transmitter).

- Simultaneous transmission of uncompressed video and audio (1080p@60Hz/-Deep Color) over a single CAT5e/6/7 type cable up to 100 m (300 ft)
- Supports pass-through of High-definition Audio up to LPCM 7.1CH, Dolby TrueHD and DTS-HD Master Audio with HDMI to DVI adaptor

CDVI-1109RXC



- Connect and share up to 4 LAN connections (2 at the transmitter end, 2 at the receiver end) at speeds up to 100 Mbps
- Supports Bi-directional IR control and RS-232 pass-through
- HDBase™ 5Play™ convergence: uncompressed high definition Video and Audio, LAN serving, Power over Cable and RS232/IR Control passthrough
- Single power supply can power both units, the receiver unit is powered by the transmitter via PoC

P/N	Inputs	Outputs	4K	3D	HD Audio	IR	RS-232	Ethernet	PoC	Cable Length	HDCP
CDVI-1109TXC CDVI-1109RXC	1xDVI	1xDVI	Yes	Yes	Yes	Yes	Yes	Yes	Yes	100m (328ft)	Yes

8 HDMI over CAT5e/6/7 Point-to-Point Transmitter with 8x8 IR Matrix

CSI-8H8CV2IR

The 8 HDMI over CAT6 Point-to-Point Transmitter (with IR Matrix) supports the transmission of Video (up to 1080p Full HD/1920x1200@60 Hz) with multichannel digital audio, up to eight pairs of high definition source and CAT5e/6 output. It supports digital audio formats such as LPCM 7.1CH, Dolby TrueHD, Dolby Digital Plus and DTS-HD Master Audio. 3D content can be displayed when connecting a 3DTV and 3D source. The Transmitter allows the point-to-point connection between source equipment and output display, over distances up to 100 meters along with PoC (Power over Cable) feature. There is a built-in crosspoint IR matrix providing additional control over 8-in-8-out IR channels.



- Supports Stereo digital audio signal input and output
- Supports high bit-rate audio up to 192 kHz
- Supports resolutions VGA-WUXGA and 480i-1080p dependent upon the output display's EDID settings
- Supports extension up to 80 meters through CAT5e or 100 meters through CAT6/7
- Supports HDMI 3D and 4K2K signal display dependent upon the output display's EDID settings
- Supports HDMI input up to 15 meters at 8-bit resolution or 10 meters at 12-bit resolution
- Supports bi-directional IR from input and output locations

- Supports RS-232, remote control and on-panel control
- Supports PoC (Power over Cable) on compatible receivers only
- 2U size design

P/N	Inputs	Outputs	4K	3D	HD Audio	IR	RS-232	Ethernet	PoC	Cable Length	HDCP
CSI-8H8CV2IR	8xHDMI	8xCAT5e/6/7	Yes	Yes	Yes	Yes	-	-	Yes	100m (328ft)	Yes

8 HDMI over CAT5e/6/7 Point-to-Point Transmitter

CSI-8H8CVTX

The HDMI over CAT6 Transmitter supports the transmission of uncompressed video (up to 1080p@60 Hz/36-bit) with multichannel digital audio from up to eight high definition sources to up to eight CAT6 outputs. Also, the unit can be used in conjunction with the 8x8 HDMI matrix (optional) to provide switching control, allowing the display of any source device on any output display.



- Supports PoC (Power over Cable) on compatible receivers only
- Supports high bit-rate audio up to 192 kHz
- Supports resolutions VGA-WUXGA and 480i-1080p dependent upon the output display's EDID settings
- Supports audio up to 7.1Ch, Dolby TrueHD and DTS-HD Master Audio
- Supports uncompressed video up to 1080p@60 Hz/36-bit
- Supports extension up to 80 meters through CAT5e or 100 meters through CAT6/7
- Supports HDMI 3D and 4K2K signal display dependent upon the output display's EDID settings
- Supports HDMI input up to 10 meters at 8-bit resolution or 6 meters at 12-bit resolution
- 1U size design

P/N	Inputs	Outputs	4K	3D	HD Audio	IR	RS-232	Ethernet	PoC	Cable Length	HDCP
CSI-8H8CVTX	8xHDMI	8xCAT5e/6/7	Yes	Yes	Yes	-	-	-	Yes	100m (328ft)	Yes

HDMI/Audio over CAT5e/6/7 Receiver with Bidirectional 24V PoC

CH-526RX

This HDMI and Audio over Single CAT5e/6/7 Receiver/ Splitter can receive uncompressed audio/video and data over a single run of CAT5e/6/7 cable, from a Transmitter, up to distances of 100m. It has the added benefit of simultaneous dual HDMI outputs with audio deembedding to a balanced analog stereo or digital coaxial audio output and 2 bidirectional LAN serving connections, allowing devices such as Smart TVs or game consoles to share a Internet connection. The unit has a bidirectional PoC (Power over Cable) function that can power or be powered by a compatible transmitter allowing for greater flexibility in installations.

- Supports a wide range of HDTV and PC output resolutions up to 4K2K and WUXGA@60Hz (RB)
- Receive uncompressed data over a single 100 m/328 ft CAT5e/6/7 cable from a compatible matrix/transmitter
- HDBaseT 5Play™ convergence: High-Definition Video and Audio, 100BaseT Ethernet, PoC and Control (Bidirectional IR/RS-232 pass-through)
- Dual LAN connections
- Supports powering or being powered by 24V DC power from compatible PoC Transmitter through CAT5e/6/7 cable
- Supports Ethernet transmission rates up to 100Mbps
- Supports Balanced analog audio output (R/L) and HDMI audio input sampling rates up to 192kHz
- Supports coaxial digital audio output up to 192kHz sampling rate



P/N	Inputs	Outputs	4K	3D	HD Audio	IR	RS-232	Ethernet	PoC	Cable Length	HDCP
CH-526RX	1xCAT5e/6/7	2xHDMI	Yes	Yes	Yes	Yes	Yes	Yes	Yes	100m (328ft)	Yes

HDMI over CAT5e/6/7 Receiver

CH-515RXPT

The CH-515RXPT Receiver can receive uncompressed audio/video and IP data over a single run of CAT5e/6/7 cable up to distances of 100m. It has the added benefit of a bi-directional LAN serving, allowing devices such as a Smart TV or games consoles to share an Internet connection. The unit can be powered by PoC (Power over Cable) from a compatible transmitter, allowing for greater flexibility in installations.

- HDMI with 3D, 4K2K support, HDCP and DVI compliant
- Simultaneous transmission of uncompressed data over a single CAT5e/6/7 cable up to 100m/328ft
- Uncompressed video support up to 1080p@60 Hz/12-bit
- High definition audio support up to LPCM 7.1CH, Dolby TrueHD, Dolby Digital Plus and DTS-HD Master Audio
- Supports HDCP repeater and CEC function
- Installation friendly



P/N	Inputs	Outputs	4K	3D	HD Audio	IR	RS-232	Ethernet	PoC	Cable Length	HDCP
CH-515RXPT	1xCAT5e/6/7	1xHDMI	Yes	Yes	Yes	-	-	Yes	Yes	100m (328ft)	Yes

CAT5e/6/7 over 2 HDMI Receiver with Bidirectional 24V PoC

CHDBR-2HE



The CHDBR-2HE is a CAT5e/6/7 over HDMI Receiver accepts from the transmitter unit the signal of resolutions up to 1080p Full HD, 4K2K timing, 3D and multi-channel digital audio formats and sends to two HDTV outputs. The HDMI can be connected to HDMI display for instant nearby display and the CAT5e/6/7 can be connected to CAT5e/6/7 to HDMI Transmitter for distance up to 100 meters with Bidirectional PoC feature. Further, a total of 100Mbps Ethernet transmission rate allows all connected device to share the Ethernet service and Bi-directional PoC provides PoC to the Transmitter or received from compatible PoC Transmitter through CAT5e/6/7.



- HDMI with 3D, 4K2K support, HDCP and DVI compliant
- Simultaneous transmission of uncompressed data over a single CAT5e/6/7 cable up to 100m/328ft
- HDMI outputs play identical video signal simultaneously
- Supports video data rate at 300 MHz/10.2 Gbps
- Supports wide range of PC resolutions from VGA to WUXGA and HDTV resolutions up to 4K2K
- High definition audio support up to LPCM 7.1CH, Dolby TrueHD, Dolby Digital Plus and DTS-HD Master Audio
- Supports audio sampling rates from 32 kHz to 192 kHz

- Supports Ethernet transmission rate up to 100 Mbps
- Provides 24V DC power to or from a compatible PoC Transmitter through CAT5e/6/7 cable
- Supports bi-directional Infrared and RS-232 control
- Supports USB service port

P/N	Inputs	Outputs	4K	3D	HD Audio	IR	RS-232	Ethernet	PoC	Cable Length	HDCP
CDHBR-2HE	1xCAT5e/6/7	2xHDMI	Yes	Yes	Yes	Yes	Yes	Yes	Yes	100m (328ft)	Yes

HDMI/DVI over HDBaseT 70m Extender

HDMI/Audio over CAT5e/6/7 Receiver with Bidirectional 24V PoC

CH-526RXPL

This HDMI and Audio over Single CAT5e/6/7 Receiver/Splitter can receive uncompressed audio/video and data over a single run of CAT5e/6/7 cable, from a Transmitter, up to distances of 70m. It has the added benefit of simultaneous dual HDMI outputs with audio deembedding to a balanced analog stereo or digital coaxial audio output. The unit has a bidirectional PoC (Power over Cable) function that can power or be powered by a compatible transmitter allowing for greater flexibility in installations.



- Supports a wide range of HDTV and PC output resolutions up to 4K2K and WUXGA@60Hz (RB)
- Receive uncompressed data over a single 100 m/328 ft CAT5e/6/7 cable from a compatible matrix/transmitter
- HDBaseT 5Play™ convergence: High-Definition Video and Audio, 100BaseT Ethernet, PoC and Control (Bidirectional IR/RS-232 pass-through)
- Dual LAN connections
- Supports powering or being powered by 24V DC power from compatible PoC Transmitter through CAT5e/6/7 cable
- Supports Balanced analog audio output (R/L) and HDMI audio input sampling rates up to 192kHz
- Supports coaxial digital audio output up to 192kHz sampling rate

P/N	Inputs	Outputs	4K	3D	HD Audio	IR	RS-232	Ethernet	PoC	Cable Length	HDCP
CH-526RXPL	1xCAT5e/6/7	2xHDMI	Yes	Yes	Yes	Yes	Yes	-	Yes	70m (230ft)	Yes

HDMI over CAT5e/6/7 Extender with Bidirectional 24V PoC

CH-506TXPLBD

CH-506RXPLBD



The HDMI over single CAT5e/6/7 with bidirectional IR, RS-232 & bidirectional PoC Transmitter and Receiver set can make your home or office set-up more efficient and easy to use. Uncompressed video and audio can be transmitted up to 70 meters with the PoC function and added benefit of controls through the built-in RS-232 and IR ports. This family design of HDBaseT™ technology allows a full usage of HDMI and controls over CAT5e/6/7 cable.

- Compatible with HDCP and DVI
- Supports HDMI 3D and 4K x 2K features
- Supports HDBaseT-Lite Technology
- Supports HD resolutions up to 1080p@60Hz/36-bit
- Supports distance up to 70 meters through CAT5e/6/7 cable
- Supports bidirectional IR and PoC
- HDMI input/output up to 15 meters with 8bits resolution or 10 meters with 12bits resolution
- RS-232 with baud rate up to 115200/sec
- Supports wide range of IR frequency from 30~50kHz
- Supports HDCP repeater and CEC bypass
- Audio supports LPCM 7.1CH, Dolby TrueHD, Dolby digital Plus and DTS-HD Mater Audio transmission

P/N	Inputs	Outputs	4K	3D	HD Audio	IR	RS-232	Ethernet	PoC	Cable Length	HDCP
CH-506TXPLBD CH-506RXPLBD	1xHDMI	1xHDMI	Yes	Yes	Yes	Yes	Yes	-	Yes	70m (230ft)	Yes

HDMI over CAT5e/6/7 Extender with 24V PoC

CH-506TXPL

CH-506RXPL



This HDBaseT™ HDMI over Single CAT5e/6/7 Transmitter and Receiver Set can send uncompressed video and audio over a single run of CAT5e/6/7 cable up to 70 meters (1080p) or 35 meters (4K2K) with the added benefit of control through the built-in RS-232 and 2-way IR ports. The Power over Cable (PoC) function provides greater flexibility in installations.

- HDMI including 3D and 4K2K (Ultra HD) support, HDCP and DVI compliant
- Supports HDCP repeater and CEC bypass functions
- Supports HDBaseT Lite Technology including 2-Way IR, RS-232 and Power over Cable (PoC)

- Supports HD resolutions up to 1080p@60 Hz/36-bit and Ultra HD (4K2K)
- Supports transmission distance of up to 70 meters through CAT5e/6/7 cable (1080p) or 35 meters (4K2K)
- Supports HDMI input up to 15 meters at 8-bit resolution or 10 meters at 12-bit resolution and output up to 15 meters at 8-bit resolution and 10 meters at 12-bit resolution
- RS-232 with baud rate up to 115200/sec
- Supports wide range of IR frequency from 30 to 50 kHz
- Audio support up to LPCM 7.1CH, Dolby TrueHD, Dolby Digital Plus and DTS-HD Master Audio
- Installation friendly

P/N	Inputs	Outputs	4K	3D	HD Audio	IR	RS-232	Ethernet	PoC	Cable Length	HDCP
CH-506TXPL CH-506RXPL	1xHDMI	1xHDMI	Yes	Yes	Yes	Yes	Yes	-	Yes	70m (230ft)	Yes

HDMI over CAT5e/6/7 Extender

CH-506TXL



This HDBaseT™ HDMI over Single CAT5e/6/7 Transmitter and Receiver Set can send uncompressed audio/video over a single run of CAT5e/6/7 cable up to 70m (1080p) and has the added benefit of control through the built-in RS-232 and 2-way IR.

CH-506RXL



- HDMI including 3D and 4K2K (Ultra HD) support, HDCP and DVI compliant
- Supports HDCP repeater and CEC functions
- Simultaneous transmission of uncompressed data over a single CAT5e/6/7 cable up to 70m/196 ft (1080p@60 Hz/8-bit), 40m (3D) or 20m (4K2K)
- Supports HD resolutions up to 1080p@60Hz/36-bit and Ultra HD (4K2K)
- Audio support up to LPCM 7.1CH, Dolby TrueHD and DTS-HD Master Audio
- Supports HDBaseT Technology (Lite Version) including 2-Way IR and RS-232
- Installation friendly

P/N	Inputs	Outputs	4K	3D	HD Audio	IR	RS-232	Ethernet	PoC	Cable Length	HDCP
CH-506TXL CH-506RXL	1xHDMI	1xHDMI	Yes	Yes	Yes	Yes	Yes	-	-	100m (328ft)	Yes

HDMI over CAT5e/6/7 Extender

CH-514TXLN / CH-514TXL



The HDMI Extender over single CAT5e/6 incorporating IR signal transfer allows for a more efficient system setup and is easy to install. Uncompressed video and audio can be transmitted to distances of up to 70 meters (1080p) and supports High Definition Audio and 3D signals. Designed with HDBaseT™ technology for greater flexibility in custom installations with full HDMI and control signal transfer over a single CAT5e/6 cable.

CH-514RXLN / CH-514RXL



- HDMI with 3D, 4K2K support, HDCP and DVI compliant
- Complies with HDBaseT Technology (Lite Version)
- Supports HDMI (including HDCP) over a single CAT5e/6 up to 70m
- Full HD resolution support (1080p@60Hz/36-bit), 3D and 4K2K over 40m and PC resolution support (VGA to WUXGA) over CAT5e/6 cable
- HDMI input up to 15m with 8-bit resolution or 10 m with 12-bit resolution
- HDMI output up to 15 m with 8/12-bit resolution
- Supports HDCP repeater and CEC bypass
- Supports High Definition LPCM 7.1CH, Dolby TrueHD, Dolby Digital Plus and DTS-HD Master Audio transmission

P/N	Inputs	Outputs	4K	3D	HD Audio	IR	RS-232	Ethernet	PoC	Cable Length	HDCP
CH-514TXL CH-514RXL CH-514TXLN CH-514RXLN	1xHDMI	1xHDMI	Yes	Yes	Yes	Yes	-	-	-	70m (230ft)	Yes

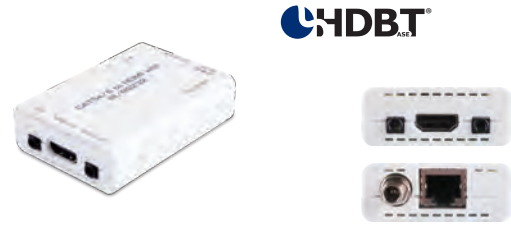
HDMI over CAT5e/6/7 Extender

CH-513TXLN / CH-513TXL



The HDMI Extender over single CAT5e/6 incorporating IR and RS-232 signal transfer allows for a more efficient system setup and is easy to install. Uncompressed video and audio can be transmitted to distances of up to 70 meters (1080p) and supports High Definition Audio and 3D signals. Designed with HDBaseT™ technology for greater flexibility in custom installations with full HDMI and control signal transfer over a single CAT5e/6 cable.

CH-513RXLN / CH-513RXL



- HDMI with 3D, 4K2K support, HDCP and DVI compliant
- Complies with HDBaseT Technology (Lite version)
- Supports HDMI (including HDCP) over a single CAT5e/6 up to 70m
- Full HD resolution support (1080p@60Hz/36-bit), 3D and 4K2K over 40m and PC resolution support (VGA to WUXGA) over CAT5e/6 cable
- HDMI input up to 15m with 8-bit resolution or 10 m with 12-bit resolution
- HDMI output up to 15 m with 8/12-bit resolution
- Multiple control interfaces such as RS-232 with baud rate up to 115200/sec and IR
- Supports HDCP repeater and CEC bypass
- Supports High Definition LPCM 7.1CH, Dolby TrueHD, Dolby Digital Plus and DTS-HD Master Audio transmission

P/N	Inputs	Outputs	4K	3D	HD Audio	IR	RS-232	Ethernet	PoC	Cable Length	HDCP
CH-513TXL CH-513RXL CH-513TXLN CH-513RXLN	1×HDMI	1×HDMI	Yes	Yes	Yes	Yes	Yes	-	-	70m (230ft)	Yes

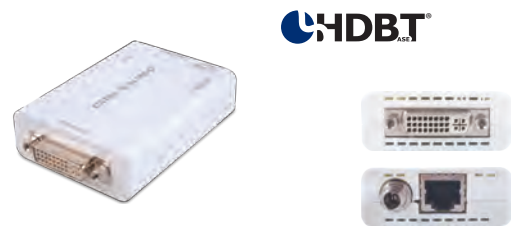
DVI over CAT5e/6/7 Extender

CDVI-513TXL



The DVI Extender over single CAT5e/6 allows for a more efficient system setup and is easy to install. Uncompressed video and audio can be transmitted to distances of up to 70 meters at 1080p and 3D with High-Definition Audio up to 7.1CH (with HDMI to DVI adaptor). Designed with HDBaseT™ technology for greater flexibility in custom installations with full DVI signal transfer over a single CAT5e/6 cable.

CDVI-513RXL



- Complies with HDBaseT Technology (Lite version)
- Supports HDMI (including HDCP with HDMI to DVI adaptor) over a single CAT5e/6 up to 70m
- Full HD resolution support (1080p@60Hz/36-bit) and PC resolution support (VGA to WUXGA) over CAT5e/6 cable
- Supports High Definition LPCM 7.1CH, Dolby TrueHD, Dolby Digital Plus and DTS-HD Master Audio transmission

P/N	Inputs	Outputs	4K	3D	HD Audio	IR	RS-232	Ethernet	PoC	Cable Length	HDCP
CDVI-513TXL CDVI-513RXL	1×DVI	1×DVI	Yes	Yes	Yes	-	-	-	-	70m (230ft)	Yes

HDMI over HDBaseT Wall-plate Extender

HDMI over CAT5e/6/7 Wall-plate Extender (100m)

CH-507TXWPBD



CH-507RXWPBD



The HDMI over single CAT5e/6 wall-plate transmitter and receiver set can transmit and receive uncompressed audio/video over a single run of CAT5e/6 cable up to 100m with bi-directional PoC & IR functions, LAN of a data transmission rate of 100Mbps & RS-232 features. This is a true HDBaseT™ 5Play solution which can greatly increase the efficiency and convenience of your home or office A/V system.

- HDMI with 3D, 4K2K support, HDCP & DVI Compliant
- Supports HDCP repeater and CEC bypass
- Simultaneously uncompressed data sending over a single 100M/328ft with CAT6 or CAT5e cable
- Supports uncompressed video of 36/30/24-bit Deep Color up to 1080p@60Hz
- Supports audio pass-through up to LPCM 7.1CH, Dolby TrueHD, and DTS-HD Master Audio
- 5Play™ convergence: HDMI, bi-directional PoC, (bi-directional IR & RS232) & LAN
- Wall plate design and installation friendly

P/N	Inputs	Outputs	4K	3D	HD Audio	IR	RS-232	Ethernet	PoC	Cable Length	HDCP
CH-507TXWPBD CH-507RXWPBD	1×HDMI	1×HDMI	Yes	Yes	Yes	Yes	Yes	Yes	Yes	100m (328ft)	Yes

HDMI over CAT5e/6/7 Wall-plate Extender (100m)

CH-507TXWPUS



CH-507RXWPUS



The CH-507TXWPUS / CH-507RXWPUS is an HDMI over Single CAT5e/6/7 wall-plate transmitter and receiver set that can transmit and receive uncompressed audio/video over a single run of CAT5e/6/7 cable up to 100m with PoC, IR, RS232 and LAN of a data transmission rate of 100Mbps. A true HDBaseT 5Play™ solution to make your home or office more efficient and easy with control.

- HDMI with 3D, 4K2K supported, HDCP & DVI compliant
- Supports HDCP repeater and CEC bypass
- Simultaneous transmission of uncompressed data over a single CAT5e/6/7 cable up to 100m/328ft
- HDBaseT 5Play™ convergence: uncompressed high definition Video and Audio, LAN serving, Power over Cable and RS-232/IR controls
- Uncompressed video support up to 3840×2160@30 Hz or 4096×2160@24 Hz
- High definition audio support up to LPCM 7.1CH, Dolby TrueHD, Dolby Digital Plus and DTS-HD Master Audio
- US 2 gang wall-plate design

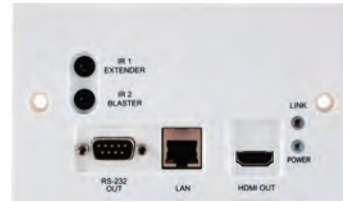
P/N	Inputs	Outputs	4K	3D	HD Audio	IR	RS-232	Ethernet	PoC	Cable Length	HDCP
CH-507TXWPUS CH-507RXWPUS	1×HDMI	1×HDMI	Yes	Yes	Yes	Yes	Yes	Yes	Yes	100m (328ft)	Yes

HDMI over CAT5e/6/7 Wall-plate Receiver (100m)

CH-507RXWP



The device that can make your home or office more efficient, this unit of HDMI over Single CAT5e/6 can receive uncompressed audio/video, RS-232 and IR control ports, Power on Ethernet(PoC) and Ethernet over 100M with wall plate design. This is a true HDBaseT™ 5Play solution which can greatly increase the efficiency and convenience of your home or office A/V system.



- HDMI with 3D, 4K2K support, HDCP & DVI Compliant
- Supports HDCP repeater and CEC bypass
- Simultaneously uncompressed data sending over a single 100M/328ft with CAT6 or CAT5e cable
- Supports uncompressed video of 36/30/24-bit Deep Color up to 1080p@60Hz
- Supports audio pass-through up to LPCM 7.1CH, Dolby TrueHD, and DTS-HD Master Audio
- 5Play™ convergence: HDMI, PoC, Control (IR & RS232) & LAN
- Wall plate design and installation friendly

P/N	Inputs	Outputs	4K	3D	HD Audio	IR	RS-232	Ethernet	PoC	Cable Length	HDCP
CH-507RXWP	1×CAT5e/6/7	1×HDMI	Yes	Yes	Yes	Yes	Yes	Yes	Yes	100m (328ft)	Yes

HDMI over CAT5e/6/7 Wall-plate Extender (100m)

CH-506TXWP

CH-506RXWP



The device that can make your home or office more efficient, this unit of HDMI over Single CAT5e/6 can transmit and receive uncompressed audio/video, control through the built-in RS-232 and IR ports and Power on Ethernet (PoC) over 100m with wall plate design. This is a true HDBaseT™ solution which can greatly increase the efficiency and convenience of your home or office A/V system.

- HDMI with 3D, 4K2K support, HDCP & DVI Compliant
- Supports HDCP repeater and CEC bypass
- Simultaneously uncompressed data sending over a single 100M/328ft with CAT6 or CAT5e cable
- Supports uncompressed video of 36/30/24-bit Deep Color up to 1080p@60Hz
- Supports audio pass-through up to LPCM 7.1CH, Dolby TrueHD, and DTS-HD Master Audio
- 4Play convergence: HDMI, PoC & Control (IR & RS-232)
- Wall plate design and Installation Friendly

P/N	Inputs	Outputs	4K	3D	HD Audio	IR	RS-232	Ethernet	PoC	Cable Length	HDCP
CH-506TXWP CH-506RXWP	1×HDMI	1×HDMI	Yes	Yes	Yes	Yes	Yes	-	Yes	100m (328ft)	Yes

HDMI over CAT5e/6/7 Wall-plate Receiver (70m)

CH-514RXWPL



The HDMI over CAT5e/6/7 Wall plate Receiver make your home or office more efficient. This Receiver can receive uncompressed Video/ Audio and Bi-directional IR over 70 meters from Transmitter. It is freely to connect with compatible Transmitter through CAT5e/6/7 for data transmission.



- HDMI with 3D & 4K2K supported, HDCP and DVI compliant
- Supports data rate from 250Mbps up to 3Gbps
- Supports wide range of PC resolutions from VGA to WUXGA and HDTV resolutions up to 4K2K (3840x2160@30Hz and 4096x2160@24Hz)
- Supports LPCM 7.1CH, Dolby TrueHD, Dolby Digital Plus and DTS-HD Master Audio transmission (32-192kHz sample rate)
- Supports distance up to 70 meters through HDMI to CAT5e/6/7 Transmitter
- Supports Bi-directional IR control
- Wall plate design and installation friendly

P/N	Inputs	Outputs	4K	3D	HD Audio	IR	RS-232	Ethernet	PoC	Cable Length	HDCP
CH-514RXWPL	1xCAT5e/6/7	1xHDMI	Yes	Yes	Yes	Yes	-	-	-	70m (230ft)	Yes

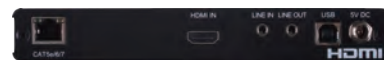
KVM over IP Extender

HDMI/USB over Single CAT5e/6/7 Transmitter and Receiver

CH-316TX / CH-316RX

This HDMI/USB over CAT5e/6/7 Transmitter and Receiver set allows you to extend High-definition Video and Audio with control signals over long distances using a single CAT5e/6/7 cable or through an Ethernet TCP/IP network. Bi-directional IR control, RS-232 pass-through and USB data can be transmitted over the same channel, providing a large range of remote control options. Additionally, there are analog audio IN/OUT ports for audio applications and a 4-port USB hub on the Receiver unit allowing the connection of up to 4 USB devices, giving it the ability to act as remote hub for USB devices connected to the transmitter.

- HDMI compliant
- Supports USB 2.0 high-speed devices
- Supports video resolutions up to 1920x1080@60Hz and WUXGA (1920x1200 Reduced Blanking)
- True plug and play operation without the need to install drivers
- Supports cable distances up to 100 meters over single CAT5e/6/7 cables
- Supports smart data compression to optimize the bandwidth usage over Ethernet networks
- Supports matrix application with up to 16 pairs of TX/RX installed on a single Ethernet network



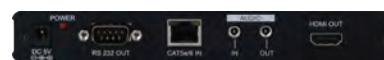
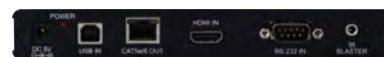
- Supports cascading over Gigabit Ethernet hubs (TCP/IP protocol)
- Supports bi-directional IR pass-through from the source and display locations
- Additional analog audio extension with MIC function

P/N	Inputs	Outputs	Cable Type	Cable Length	Ethernet	4K	3D	Deep Color	HD Audio	HDCP
CH-316TX CH-316RX	1xHDMI, 1xUSB	1xHDMI, 4xUSB	Single CAT5e/6/7	100m (330ft)	Yes	-	-	Yes	Yes	-

HDMI/USB over Single CAT5e/6/7 Transmitter and Receiver

CA-USBHUT / CA-USBHU100R

This HDMI/USB over CAT5e/6/7 Transmitter and Receiver set allows HDMI and or USB host device to send data within a 100-meters distance while offering expandability for up to 4 USB outputs to perform tasks. In addition, this pair of devices can also save data from the output port devices or allow remote control through the display side even when there's 100 meters apart separating the devices. Furthermore, this pair of devices includes extra functions like IR, line-out and microphone features that allows user to enjoy control over distance and audio sound over favor audio equipments. Moreover, the device allowing user with cascade with the same family type of device to extend the transmission distance up to as long as it demand and without signal loss or delay, or with multi pairs of the extender box up to 16 for matrix usage from a IP for data sharing within the connected device of sources and displays.



- HDMI compliant
- Support USB 2.0 high-speed devices
- Operate with USB 2.0 high speed host controllers
- True plug and play without any driver installation required
- Display and control of the host device and source equipment
- Save and share data into a separate room
- Tested CAT5 cable distance of up to 100 meters or

- cascade up to as long it require or link up to 16 pairs for matrix system
- Supports digital display output resolution up to 1920x1080@60Hz & WUXGA@60Hz (RB)
- Automatic display mode detection and DDC synchronization
- Data transmission rate 1G bit/s
- Can cascade over Giga Ethernet hub base on TCP/IP

P/N	Inputs	Outputs	Cable Type	Cable Length	Ethernet	4K	3D	Deep Color	HD Audio	HDCP
CA-USBHUT CA-USBHU100R	1xHDMI, 1xUSB	1xHDMI, 4xUSB	Single CAT5e/6/7	100m (330ft)	Yes	-	-	Yes	Yes	-

HDMI over CAT6 Extender

HDMI over Single CAT5e/6/7 Transmitter and Receiver

CH-1107TX

CH-107RXN



The CH-1107TX can send High Definition video (1080p/Deep Color) and audio (Dolby TrueHD, Dolby Digital Plus and DTS-HD Master Audio) over a single run of CAT6 cable to a compatible receiver unit.

- HDMI, HDCP 1.1 and DVI 1.1 compliant
- Supports digital video formats in 'Deep Color' mode at up to 36-bit (12-bit/color)
- Supports lossless compressed Digital Audio formats (Dolby TrueHD, Dolby Digital Plus and DTS-HD Master Audio)
- Uses a single CAT6 cable for Data/DDC transmission
- Equalizes and recovers incoming TMDS data before re-transmitting it in optimal quality regardless of the incoming signal quality
- Supports HDMI cable distances of up to 20 meters at 1080p/8-bit and 12-bit resolutions
- Supports CAT6 cable distances of up to 45 meters at 1080p/8-bit resolution and 10 meters at 1080p/12-bit resolution
- Supports x.v.YCC

The CH-107RXN can receive High Definition video (1080p/Deep Color) and audio (Dolby TrueHD, Dolby Digital Plus and DTS-HD Master Audio) over a single run of CAT6 cable from a compatible transmitter unit and convert the signal to HDMI for display on a HDTV. It has the added benefit of a 7 step HDMI signal equalization switch to optimize the signal strength.

- HDMI, HDCP 1.1 and DVI 1.1 compliant
- Supports digital video formats in 'Deep Color' mode at up to 36-bit (12-bit/color)
- Supports lossless compressed Digital Audio formats (Dolby TrueHD, Dolby Digital Plus and DTS-HD Master Audio)
- Uses a single CAT6 cable for Data/DDC transmission
- Equalizes and recovers incoming TMDS data before re-transmitting it in optimal quality regardless of the incoming signal quality
- Supports HDMI cable distances of up to 10 meters at 1080p/8-bit and 12-bit resolutions
- Supports CAT6 cable distances of up to 45 meters at 1080p/8-bit resolution and 15 meters at 1080p/12-bit resolution
- Supports x.v.YCC
- 7 step EQ adjustment for HDMI signal equalization

P/N	Inputs	Outputs	Cable Type	Cable Length	Ethernet	4K	3D	Deep Color	HD Audio	HDCP
CH-1107TX	1xHDMI	1xCAT5e/6/7	Single CAT5e/6/7	45m (150ft)@8-bit 10m (33ft)@12-bit	-	-	Yes	Yes	Yes	Yes
CH-107RXN	1xCAT5e/6/7	1xHDMI	Single CAT5e/6/7	45m (150ft)@8-bit 10m (33ft)@12-bit	-	-	Yes	Yes	Yes	Yes

HDMI over Single CAT5e/6/7 Extender

CH-1107EX

The CH-1107EX is an advanced solution for HDMI and CAT6 signal distribution. The CAT6 output port can be easily connected to CAT6 to HDMI receivers to allow a stable connection between an HDMI source and any compatible HDMI display. Alternatively, it can be cascaded to extend the signal to several hundred meters.

- HDCP 1.1 and DVI 1.0 compliant
- HDMI with Deep Color video up to 12-bit, 1080p@24/60 Hz
- Supports LPCM 7.1CH, Dolby TrueHD, Dolby Digital Plus and DTS-HD Master Audio transmission
- Supports a wide range of PC and HDTV resolutions from VGA to WUXGA and 480i to 1080p



- Supports HDMI cable distances of up to 15 meters at 1080p/8-bit and 12-bit resolutions
- Fully HDCP compliant
- EDID 8/12-bit setting switch

P/N	Inputs	Outputs	Cable Type	Cable Length	Ethernet	4K	3D	Deep Color	HD Audio	HDCP
CH-1107EX	1xHDMI, 1xCAT5e/6/7	1xHDMI, 1xCAT5e/6/7	Single CAT5e/6/7	45m (150ft)@8-bit 10m (33ft)@12-bit	-	-	Yes	Yes	Yes	Yes

HDMI over Single CAT5e/6/7 Transmitter and Receiver with IR

CH-110TX

CH-110RX



The HDMI over Single CAT6 Transmitter and Receiver set can extend an HDMI and IR signals over long distances to a compatible display. A cost effective alternative to expensive HDMI cables, your existing CAT6 infrastructure can be utilized to transfer High-definition Video (up to 1080p/8-bit) and new lossless compressed digital audio formats (Dolby TrueHD, Dolby Digital Plus and DTS-HD Master Audio) along with the ability to control the source device via IR from the display location.

- HDMI, HDCP and DVI compliant
- Supports digital video formats 1080p up to 24-bit (8-bit/color) including 3D
- Supports LPCM 7.1CH, Dolby TrueHD, Dolby Digital Plus and DTS-HD Master Audio transmission
- Uses a single CAT6 cable for all data/DDC transmission
- Equalizes and recovers incoming TMDS data before re-transmitting it in optimal quality
- Supports cable distances up to 45 meters through CAT6 cable at 1080p/8-bit resolution
- Supports HDMI input cable lengths up to 10 meters and output cable lengths up to 15 meters (at 1080p/8-bit resolution)
- Supports x.v.YCC

P/N	Inputs	Outputs	Cable Type	Cable Length	Ethernet	4K	3D	Deep Color	HD Audio	HDCP
CH-110TX CH-110RX	1xHDMI	1xHDMI	Single CAT5e/6/7	45m (150ft)@8-bit 10m (33ft)@12-bit	-	-	Yes	Yes	Yes	Yes

HDMI over Dual CAT6/7 Transmitter and Receiver with IR

CH-1106TX

CH-1106RXN



This HDMI over CAT5e/6 Transmitter and Receiver Set with IR Source Control can extend HDMI signals over dual CAT5e/6 cabling up to 45m. It has the added benefit of allowing the control of a source device with your existing Remote Control with the included IR Extender and Blaster cables.

- HDMI, HDCP 1.1 and DVI 1.0 compliant
- Supports high definition digital video and lossless, compressed digital audio (Dolby TrueHD, Dolby Digital Plus and DTS-HD Master Audio)
- Supports dual CAT5e/6 cables for Video/Audio and data/DDC transmission

- Equalizes and recovers incoming TMDS data before re-transmitting it in optimum quality
- Supports CEC bypass and x.v.YCC
- Includes an IR Extender and Blaster
- Supports a wide range of IR frequencies, from 30 kHz to 50 kHz
- Supports transmission of 1080p@8-bit resolution signals up to 45 meters over dual CAT5e/6 cables
- Supports HDMI input cable length of up to 6 meters and output cable length of 10 meters at 1080p@8-bit resolution
- Supports connection to a repeater or another transmitter and receiver set to extend the HDMI signal

P/N	Inputs	Outputs	Cable Type	Cable Length	Ethernet	4K	3D	Deep Color	HD Audio	HDCP
CH-1106TX CH-1106RXN	1xHDMI	1xHDMI	Dual CAT6/7	45m (150ft)@8-bit 20m (66ft)@12-bit	-	-	Yes	Yes	Yes	Yes

HDMI over Dual CAT6/7 Transmitter and Receiver with IR

CH-106TXN

CH-106RXN



This HDMI over CAT5e/6 Transmitter and Receiver Set with IR Source Control can extend HDMI signals over dual CAT5e/6 cabling up to 45m. It has the added benefit of allowing the control of a source device with your existing Remote Control with the included IR Extender and Blaster cables.

- Compliant with HDMI, HDCP 1.1 and DVI 1.0 standards
- Supports high definition digital video and lossless, compressed digital audio (Dolby TrueHD, Dolby Digital Plus and DTS-HD Master Audio)
- Supports dual CAT5e/6 cables for Video/Audio and data/DDC transmission
- Equalizes and recovers incoming TMDS data before re-transmitting it in optimum quality
- Supports high definition resolutions, up to 1080p@8-bit
- Supports HDMI input cable length of up to 6 meters and output cable length of 10 meters at 1080p/8-bit resolution
- Supports transmission of 1080p@8-bit resolution signals up to 45 meters over dual CAT5e/6 cables
- Supports CEC bypass and x.v.YCC
- Supports a wide range of IR frequencies, from 30 kHz to 50 kHz

P/N	Inputs	Outputs	Cable Type	Cable Length	Ethernet	4K	3D	Deep Color	HD Audio	HDCP
CH-106TXN CH-106RXN	1xHDMI	1xHDMI	Dual CAT6/7	45m (150ft)@8-bit 20m (66ft)@12-bit	-	-	Yes	Yes	Yes	Yes

HDMI over Dual CAT6/7 Transmitter and Receiver

CH-1103TX

CH-1103RX



This is the transmitter (Tx) unit of HDMI to CAT6 Solution that can extend HDMI digital signal through CAT-6 cables. This is compatible to HDMI v1.3 specifications, a cutting-age technology which defines the support to transfer Deep Color (12 bits/color) video and new lossless compressed (Dolby TrueHD, Dolby Digital Plus and DTS-HD Master Audio) Digital audio, with a bandwidth up to 225MHz. The installation of HDMI to CAT6 is easy and quick, simply place transmitter side next to your HDTV source such as a DVD player, then place the receiver side next to your CAT 6 to CAT6 repeater unit and get all necessary cables connected and enjoy.

- Supports Deep Color Mode at up to 36-bit
- Supports CAT-6 cables for data/DDC transmission
- Supports equalize and recover incoming TMDS data before re-transmitting them with optimal quality regardless of the incoming signal quality
- Connect to our HDMI series product, the unit will no need of power supply
- Support CEC bypass and xvYCC

P/N	Inputs	Outputs	Cable Type	Cable Length	Ethernet	4K	3D	Deep Color	HD Audio	HDCP
CH-1103TX CH-1103RX	1xHDMI	1xHDMI	Dual CAT6/7	45m (150ft)@8-bit 15m (50ft)@12-bit	-	-	Yes	Yes	Yes	Yes

HDMI over Dual CAT5e/6/7 Transmitter and Receiver

CA-HDMIAT / CA-HDMI50R / CA-HDMI100R / CA-HDMI150R / CA-HDMI250R

These are transmitter (TX) and receiver units of HDMI over CAT5 TX/RX solution, depends on the type of receiver (RX) unit used, this HDMI over CAT5 transmitter can extend HDMI signal through CAT-5 cables for a distance up to 50/100/150/250 meters.

The installation of HDMI Over CAT5 is easy and quick, simply place transmitter next to your HDTV source such as a DVD player, then place the receiver unit next to your display, and get all necessary cables connected to complete and enjoy.

- Compliant with HDMI 1.2, and DVI 1.0 specifications
- Supports CAT-5/CAT-5E/CAT-6 cables of variable types
- Supports high definition input up to 1080P, output resolution follows input
- Easy to install and simple to operate
- Not compatible with HDCP source



• CA-HDMIAT

• CA-HDMI250R

P/N	Inputs	Outputs	Cable Type	Cable Length	Ethernet	4K	3D	Deep Color	HD Audio	HDCP
CA-HDMIAT CA-HDMI50R CA-HDMI100R CA-HDMI150R CA-HDMI250R	1×HDMI	1×HDMI	Dual CAT5e/6/7	50m (165ft)/50R 100m (330ft)/100R 150m (495ft)/150R 250m (825ft)/250R	-	-	-	-	-	-

DVI over Dual CAT5e/6/7 Transmitter and Receiver

CA-DVIAT / CA-DVI100R / CA-DVI250R

These are DVI transmitter and receiver over CAT5 is an extender for DVI signal - up to 100 or 250 meters long. This device not only can transfer the HD image signal but also the analog/digital audio signal with coaxial and L/R audio 3.5mm. Through the DDC cable the device can also support HDCP and CEC. This extender is perfect for extending high resolution digital signage with crystal clear images over low cost network solution.

- Supports equalizer, Gain, CTI
- Supports high definition up to 1080P/UXGA, output resolution follows input
- Easy to install and simple to operate
- Supports DDC/HDCP signal transferring
- Build-in EDID at transmitter
- Support both external Coaxial and Stereo Sound



• CA-DVIAT

• CA-DVI250R

P/N	Inputs	Outputs	Cable Type	Cable Length	Ethernet	4K	3D	Deep Color	HD Audio	HDCP
CA-DVIAT CA-DVI100R CA-DVI250R	1×DVI	1×DVI	Dual CAT5e/6/7	100m (330ft)/100R 250m (825ft)/250R	-	-	-	-	-	-

HDMI over 5 COAX Transmitter and Receiver

CAC-TXA / CAC-RXA

The CAC-TXA and CAC-RXA set is ideally suited for long distance transmission of high definition video and audio from PS3/DVD or Blu-ray devices to an HDMI display or AV Receiver. It can operate at distances up to 100m at HD resolutions (up to 1080p/8bit resolution) and supports HDMI features such as 'Deep Colour' and HD Audio passthrough. The system's digital transmission format does not introduce delays or loss of image quality. There is also the option of powering the Receiver from the transmitter, making the system easy to install and operate.



- Compatible with HDMI and DVI 1.1
 - Improved color gamut (i.e. 'Deep Color'/xvYCC)
 - High Definition audio (8-channel audio support)
 - Supports High Resolutions from VGA (640x480) to WUXGA (1920x1200)
 - Supports HDTV resolutions from 480i-1080p/12-bit
 - Built in Consumer Electronics Control (CEC)
 - Supports 'Deep Color'
- Gigabit digital transport needs:
 - HDMI 1.3 (Category)/DVI (10.2Gb/s). The RG6 type 75 Ω coaxial cables can operate up to 100m at 10.8Gb/s
- The receiver can be powered either from the supplied AC power adaptor or by the Transmitter unit over cable
- Supports VESA DDC, CEC, Hot Plug Detect (HPD) and xvYCC
- Easy to install and operate

P/N	Inputs	Outputs	Cable Type	Cable Length	Ethernet	4K	3D	Deep Color	HD Audio	HDCP
CAC-TXA CAC-RXA	1xHDMI	1xHDMI	Five Coaxial Cables	100m (330ft)	-	-	-	Yes	Yes	Yes

VGA over CAT5 Extender

PC/Component over Single CAT5e/6/7 Transmitter and Receiver

CA-COMPAT / CA-COMP50R / CA-COMP100R

PC/HD Audio over CAT5 Transmitter is the transmitter (Tx) unit of PC/HD & Audio over CAT5 solution, depends on the type of receiver (Rx) unit used. The system can extend PC/HD & Audio signal through CAT-5 cables for a distance up to 50/100 meters. The installation of PC/HD Audio over CAT5 is easy and quick, simply place the system next to your display, and get all necessary cables connected to complete and enjoy.



• CA-COMPAT

• CA-COMP100R

- Supports PC/RGB and HD/YCbCr/YPbPr format input
- Supports CAT-5/CAT-5E/CAT-6 cable
- Supports high definition (HD) input source up to 1080P
- Supports PC output source up to UXGA
- Supports Dolby AC3/PCM 2CH Toslink output audio
- Supports Dolby AC3/PCM 2CH Toslink input audio

P/N	Inputs	Outputs	Cable Type	Cable Length	Ethernet	4K	3D	Deep Color	HD Audio	HDCP
CA-COMPAT CA-COMP50R CA-COMP100R	1xVGA/ Component Video	1xVGA/ Component Video	Single CAT5e/6/7	50m (165ft)/50R 100m (330ft)/100R	-	-	-	-	-	-

USB over CAT5 Extender

USB over Single CAT5e/6/7 Transmitter and Receiver

CA-USBST

CA-USBS100R



The CA-USBST and CA-USBS100R allow most of the USB host to send data bidirectional within a 100-meter distance while offering up to 4 USB outputs, giving this product the ability to act like a USB hub. In addition, this product can also access data from the output port devices even when there's 100 meters separating the devices or using Ethernet hub in between to extend the distance double up to 200 meters.

- Supports USB 2.0 devices
- Operates at USB 2.0 host controllers
- True plug and play without any driver installation
- LED indicators for easy viewing
- Supports all major operating systems including Windows, MAC and Linux
- CAT5e/6 cable distance tested up to 100m
- LED indicators for easy viewing
- Each USB output carries 500 mA of power

P/N	Inputs	Outputs	Cable Type	Cable Length	Ethernet	4K	3D	Deep Color	HD Audio	HDCP
CA-USBST CA-USBS100R	1xUSB	4xUSB	Single CAT5e/6/7	100m (330ft)	-	-	-	-	-	-

USB over Single CAT5e/6/7 Transmitter and Receiver

CA-USBAT

CA-USBS100R



The CA-USBAT and CA-USBS100R allow any USB host to send data within a 100-meter distance while offering up to 4 USB outputs, giving this product the ability to act like a USB hub. In addition, this product can also save data from the output port devices or allow remote control through the display even when there's 100 meters separating the devices.

- Supports USB 2.0 and USB 1.1 devices
- Operates with USB 2.0 host controllers and USB 1.1 classic hosts
- True plug and play without the need to install drivers
- Display or control the host device
- Supports all major operating systems including Windows, MAC and Linux
- CAT5/6 cable distance tested up to 100m without lag
- Each USB output port contains 500 mA of power
- Total transmission frequency 1 GHz

P/N	Inputs	Outputs	Cable Type	Cable Length	Ethernet	4K	3D	Deep Color	HD Audio	HDCP
CA-USBAT CA-USBS100R	1xUSB	4xUSB	Single CAT5e/6/7	100m (330ft)	-	-	-	-	-	-

USB over Single CAT5e/6/7 Transmitter and Receiver (70m)

CA-USBLT

CA-USBL70R



The USB over CAT5e/6/ Transmitter and Receiver set allows a USB host to exchange data with multiple USB devices, up to 70 meters using a single CAT5e/6/7 cable. Perfect for home or commercial use, it allows the connection of up to 4 USB devices, giving this product the ability to act as remote USB hub. With true driverless plug and play operation supporting all major operating systems, it makes this device an ideal solution for USB extension.

- Supports USB 2.0 high-speed and USB 1.1 (full-speed, low-speed) devices and host controllers
- True plug and play operation without the need to install drivers
- Supports all major operating systems including Windows®, MAC OS X®, and Linux
- CAT5e/6/7 cable distance tested up to 70 meters without lag
- Each USB output port provides 500mA of power
- Simple set up and operation

P/N	Inputs	Outputs	Cable Type	Cable Length	Ethernet	4K	3D	Deep Color	HD Audio	HDCP
CA-USBLT CA-USBL70R	1×USB	4×USB	Single CAT5e/6/7	70m (230ft)	-	-	-	-	-	-

Ethernet/USB to 4 HDMI Extender

CETH-4HDI

The CETH-4HDI allows the user to display the output from a PC/Laptop on up to four TV/Monitors either by direct connection (via USB or CAT cable) or over a network connection. For the home, it makes it easy to have multiple screens for browsing the internet, editing word processor documents or playing music or movies simultaneously on all connected displays.

In the workplace, it can allow attendees in a meeting room to access the display from their laptop over a network without having to fumble with cables or it can display a single advertisement stretched over 4 displays to distances of up to 100m. It can also be used as a simple USB to HDMI signal converter through its USB 2.0 connection. Each HDMI output can display different content, mirror the main screen or can even stretch the image over 4 screens to create a video wall.



- Display content on up to 4 HDMI displays over a network or directly from PC/Laptop with USB connection
- Supports HD resolutions up to 1920×1080 for each HDMI output
- Individual EDID selection (INT/EXT) for output display control
- USB 2.0 (Hi-speed) compliant
- Supports Gigabit Ethernet TCP/IP protocols
- 3.5 mm mini-jack external input for embedding HDMI audio
- Extend or mirror audio and video through a network or USB cable on up to 4 HDMI displays
- Supports 16/32-bit Color for high-quality display
- Add four HDMI displays to your computer through a single USB 2.0 port
- Shares four HDMI display with multiple users through an existing network (up to 100m)
- Supports Individual display resolution on each HDMI output

P/N	Inputs	Outputs	Cable Type	Cable Length	Ethernet	4K	3D	Deep Color	HD Audio	HDCP
CETH-4HDI	1×RJ45, 1×USB	4×HDMI	Single CAT5e/6/7	100m (330ft)	Yes	-	-	-	-	-

Ethernet/USB to 4 USB Extender

CETH-4USB

The CETH-4USB allows you to utilize your USB devices over an existing network installation or connect directly to your PC or laptop. For home, commercial or retail environments this device allows hands-on control of USB devices for users within the same network. Compatible with a wide range of USB devices, you can control up to four different devices up to 100 meters away.



- USB Hub - Control up to 4 four USB devices
- Capable of high-speed (480 Mbps), full-speed (12 Mbps) and low-speed (1.5 Mbps) USB connection speeds (overall speed in LAN Mode might be limited by the bandwidth of the network)
- Works up to 100 meters away (in Extender Mode)
- Connect to existing network or directly to PC with RJ45 cable
- Compliant with USB 2.0 (Hi-speed) specification
- Supports Ethernet protocols TCP/IP
- Supports 10/100/1000 Mbps Ethernet speeds

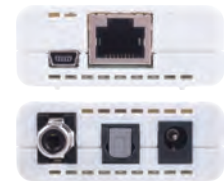
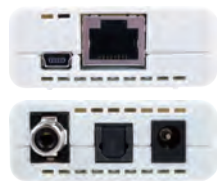
P/N	Inputs	Outputs	Cable Type	Cable Length	Ethernet	4K	3D	Deep Color	HD Audio	HDCP
CETH-4USB	1xRJ45, 1xUSB	4xUSB	Single CAT5e/6/7	100m (330ft)	Yes	-	-	-	-	-

Audio over CAT5 Extender

Digital Audio over Single CAT5e/6/7 Transmitter and Receiver

CH-304TX

CH-304RX



The Digital Audio Extender is useful for sending the digital audio signal up to 150m away at high quality. The units can switch between Coaxial and Optical digital signals and can be powered by either USB or power adaptor allowing users flexibility of choice between power sources.

With its elegant and compact design, user friendly operation and easy installation, the Digital Audio Repeaters are ideal tool for extending digital audio from one location to another.

- Supports Coaxial or Optical digital audio S/PDIF signal
- Supports digital audio of 2CH LPCM, 2-5.1CH of Dolby Digital and DTS
- Supports industry standard Category 5/5e/6 cable
- Digital audio S/PDIF performance sampling rate 96 kHz
- Supports single Coaxial input to Coaxial signal output
- Supports single Optical input to Optical signal output

P/N	Inputs	Outputs	Cable Type	Cable Length	Ethernet	4K	3D	Deep Color	HD Audio	HDCP
CH-304TX	1xCOAX,	1xCOAX,	Single	150m (495ft)	-	-	-	-	-	-
CH-304RX	1xTOSLINK	1xTOSLINK	CAT5e/6/7							

Digital Audio/RS-232 over Single CAT5e/6/7 Transmitter and Receiver

DCT-30TX

DCT-30RX



The Optical Digital Audio with RS-232 Transmitter and Receiver set can send and receive digital audio (S/PDIF) signals over a single run of CAT5e/6 cable up to 300m. It has the added benefit of RS-232 passthrough allowing control of devices and the bi-directional Power over Cable (PoC) function eliminates the need for a second power supply, providing greater flexibility in installations.

- Supports bi-directional transmission (in/out) of Optical (S/PDIF) digital audio and RS-232 pass-through
- Supports Optical S/PDIF audio sampling rates up to 192kHz
- Supports CAT5e/6/7 cable distances of 100m (328ft) at 192kHz sampling rate, 150m (492ft) at 96kHz sampling rate and 300m (984ft) at 48kHz sampling rate
- Supports pass-through of digital audio formats: LPCM 2CH, Dolby Digital (up to 5.1CH), DTS (up to 5.1CH)
- Supports bi-directional Power over Cable (PoC)
- Bi-directional RS-232 control

P/N	Inputs	Outputs	Cable Type	Cable Length	Ethernet	4K	3D	Deep Color	HD Audio	HDCP
DCT-30TX DCT-30RX	2xTOSLINK	2xTOSLINK	Single CAT5e/6/7	300m (1000ft)	-	-	-	-	-	-

Analog Audio/RS-232 over Single CAT5e/6/7 Transmitter and Receiver

DCT-32TX

DCT-32RX



The Analog Stereo over CAT5e/6/7 Extender set can send and receive analog audio signals over a single run of CAT5e/6 cable up to 300m. It has the added benefit of RS-232 pass-through allowing control of devices and the Power over Cable (PoC) function can power the receiver unit eliminating the need for a second power supply, providing greater flexibility in installations.

- Supports bi-directional transmission (in/out) of analog audio and RS-232 pass-through
- Supports Power over Cable (PoC) to the Receiver unit
- Bi-directional RS-232 control

P/N	Inputs	Outputs	Cable Type	Cable Length	Ethernet	4K	3D	Deep Color	HD Audio	HDCP
DCT-32TX DCT-32RX	4xRCA	4xRCA	Single CAT5e/6/7	300m (1000ft)	-	-	-	-	-	-

Infrared/RS-232 over CAT5 Extender

Infrared over Single CAT5e/6/7 Extender and Repeater

CIR-03



CIR-12



The IR Extender and the IR Repeater Box are perfect for controlling source devices over long distances using CAT5 Cable. By using the built-in IR Receiver of the IR Repeater, users are able to control up to five sources (with the original remote controls) at the same time at a distance of up to 250 m. There are no space limitations with these devices, which means even if the sources are in a different room or even another floor than the display, the performance stays the same.

The IR Extender and the IR Repeater Box give users an easy and convenient way to control their desired source. If however, users only wish to control sources in the same room then the IR Repeater Box will be enough to control up to 2 sources. The IR Extender Box is designed for longer distances and extra source device control than the IR Repeater Box.

- Supports up to five IR outputs
- Control source devices anywhere within 250 m, can be run through walls and ceilings
- Transmits infrared signals only
- It allows the use of existing remote controls
- Only one IR Receiver is needed
- IR Receiver's frequency range is 30-50kHz

P/N	Inputs	Outputs	Cable Type	Cable Length	Ethernet	4K	3D	Deep Color	HD Audio	HDCP
CIR-03 CIR-12	1xIR	5xIR/IR (Local)	Single CAT5e/6/7	250m (825ft)	-	-	-	-	-	-

RS-232 over Single CAT5e/6/7 Transmitter and Receiver

CRS-232TX



CRS-232RX



With regular RS-232 protocol devices you are limited to an immediate area of control. The CAT5 RS-232 extender extends control to over 250 meters and gives you a tremendous amount of flexibility in how and where you control your devices. The RS-232 extender also provides full duplex transmission and hardware handshake signals, without the need for any complicated set-up procedures.

- Extends any compatible RS232 device up to 250 meters from the source to the display
- Only one CAT5 cable
- Perfect for digital signage
- Simple and easy installation
- Has a Baud Rate of: 110-921600
- Data bit: 8 bit

P/N	Inputs	Outputs	Cable Type	Cable Length	Ethernet	4K	3D	Deep Color	HD Audio	HDCP
CRS-232TX CRS-232RX	1xRS-232	1xRS-232	Single CAT5e/6/7	250m (825ft)	-	-	-	-	-	-

Optical Fiber Extender

HDMI over Optical Fiber Transmitter and Receiver

COH-TX2 / COH-RX2

The 4K2K HDMI to Optical Transmitter and Receiver set uses fiber optic cables to give you longer transmission distances (up to 300m) utilizing thinner, lighter cables for greater flexibility in installations. With this system the HDMI signal is uncompressed and is fully compliant with HDMI and HDCP.

- HDMI, HDCP and DVI compliance
- Supports 3D, 4K2K resolutions
- Long transmission distances – up to 300m with OM3 50/125um cable (SC-SC connector)
- Thinner and lighter cables for easier and more flexible installations
- Faster data transmission
- Lower power consumption
- Supports the reading of EDID information



P/N	Inputs	Outputs	Cable Type	Cable Length	Ethernet	4K	3D	Deep Color	HD Audio	HDCP
COH-TX2 COH-RX2	1xHDMI	1xHDMI	Duplex Optical Fiber	300m (1000ft)	-	Yes	Yes	Yes	Yes	Yes

HDMI over Optical Fiber Transmitter and Receiver

COH-TX1 / COH-RX1

With HDMI becoming more and more popular around the world, many consumers have been searching for a way to transmit HDMI signals over very long distances. The HDMI to Optical Transmitter and Receiver set which uses fiber optical cables will give you longer transmission distances (up to 300m) while also providing you with thinner, lighter cables for easier installation. With this system the HDMI signal is not compressed and is fully compliant with HDMI and HDCP.

- Long transmission distances - up to 300m or more
- Thinner and lighter cables for easier, more discreet installations
- Faster data transmission
- Lower power consumption
- Support the reading of EDID information



P/N	Inputs	Outputs	Cable Type	Cable Length	Ethernet	4K	3D	Deep Color	HD Audio	HDCP
COH-TX1 COH-RX1	1xHDMI	1xHDMI	Duplex Optical Fiber	300m (1000ft)	-	-	-	-	-	Yes

HDMI over Optical Fiber Transmitter and Receiver

COH-TX / COH-RX

With HDMI becoming more and more popular around the world, many consumers have been searching for a way to transmit HDMI signals over very long distances. The HDMI to Optical Transmitter and Receiver set which uses fiber optical cables will give you longer transmission distances (up to 300m) while also providing you with thinner, lighter cables for easier installation. With this system the HDMI signal is not compressed and is fully compliant with HDMI and HDCP.

- HDMI v1.2, HDCP and DVI compliance
- Long transmission distances - up to 300m or more
- Thinner and lighter cables for easier, more discreet installations
- Faster data transmission
- Lower power consumption
- Support the reading of EDID information



P/N	Inputs	Outputs	Cable Type	Cable Length	Ethernet	4K	3D	Deep Color	HD Audio	HDCP
COH-TX COH-RX	1xHDMI	1xHDMI	Duplex Optical Fiber	300m (1000ft)	-	-	-	-	-	Yes

3G-SDI over Optical Fiber Transmitter and Receiver

CLUX-SDI2OF / CLUX-OF2SDI

The SDI to Optical Fiber Extender set is designed to extend your SDI signals over Optical Fiber for long distance transmission up to 10km. Signals from 50 Mb/s to 3 Gb/s bandwidth can be sent without loss or compression with thinner, lighter cables for easy installations.

- SMPTE 287-2006 compliant
- Robust error free transmission of signals from 50Mb/s to 3Gb/s over at least 10km single-mode fiber but it will depend on the fiber module used
- Supports SDI input and output modes:
 - SD-SDI (SMPTE 259M-C, at bitrates of 270 Mbit/s)
 - HD-SDI (SMPTE 292M, at bitrates of 1.485 Gbit/s and 1.485/1.001 Gbit/s)
 - 3G-SDI (SMPTE 424M/425M-AB, at bitrates of 2.970 Gbit/s and 2.970/1.001 Gbit/s)
- Bypass integrated SDI audio up to max. 16 channels of 48kHz audio
- Auto video mode detection (3G/HD/SD)



P/N	Inputs	Outputs	Cable Type	Cable Length	Ethernet	4K	3D	Deep Color	HD Audio	HDCP
CLUX-SDI2OF CLUX-OF2SDI	1xSDI	1xSDI	Optical Fiber	10km (6.2mi)	-	-	-	-	-	-

Repeater

CAT5e/6/7 Repeater with HDMI Bypass Output (100m)

CHDBX-1H1CE

The CAT5e/6/7 over HDMI and CAT5e/6/7 Splitter can convert a single CAT5e/6/7 input, 2-way IR control and LAN serving to a single CAT5e/6/7 output and includes a simultaneous HDMI bypass output. It supports resolutions up to 1080p Full HD, 4Kx2K timing, 3D and multichannel digital audio formats (such as LPCM 7.1CH, Dolby TrueHD, Dolby Digital Plus and DTS-HD). The HDMI output can be connected to an HDMI display or cascaded to another splitter. The CAT5e/6/7 output can be connected to a CAT5e/6/7 to HDMI Receiver to extend the operating distance up to 100 meters.

Additionally, the LAN connectivity will allow a 100BaseT network to be served to smart TVs or games consoles.



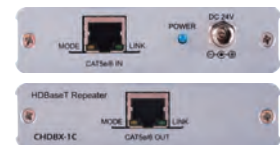
- HDMI with 3D & 4K2K supported, HDCP and DVI compliant
- Simultaneous HDMI and CAT5e/6/7 outputs
- Supports data rate from 250Mbps up to 3Gbps
- Supports wide range of PC resolutions from VGA to WUXGA and HDTV resolutions up to 4K2K (3840x2160@24/25/30Hz, 4096x2160@24Hz and 4K2K@60 YUV_420)
- Supports LPCM 7.1CH, Dolby TrueHD, Dolby Digital Plus and DTS-HD Master Audio transmission (32-192kHz sample rate)
- Supports distances up to 100 meters through CAT5e/6/7 cables
- Supports Ethernet network rate up to 100Mbps
- Can select EDID
- Supports USB service port
- Supports control of devices via 2-way IR
- The 3D signal display follow by display TV's EDID

P/N	Inputs	Outputs	4K	3D	HD Audio	IR	RS-232	Ethernet	PoC	Cable Length	HDCP
CHDBX-1H1CE	1xCAT5e/6/7	1xHDMI, 1xCAT5e/6/7	Yes	Yes	Yes	Yes	Yes	Yes	Yes	100m (328ft)	Yes

CAT5e/6/7 Repeater (100m)

CHDBX-1C

The CHDBX-1C allows HDBaseT systems to be extended and cascaded. The model supports the highest quality of uncompressed high-definition HD video up to 4K2K (Ultra HD), up to 8 channels of uncompressed multi-channel audio, RS-232 and IR control systems, PoC and Ethernet, complete HDBaseT 5Play™ convergence with just a simple connection over a single CAT5e/6/7 cable.



- HDMI, DVI and HDCP compliant
- Supports 3D over HDMI and 4K2K (Ultra HD) resolution
- Supports CEC bypass
- Doubles up the distance of HDBaseT transmission between transmitter and receiver, with a single repeater
- Uncompressed video support up to 1080p@60Hz/36-bit and 4K2K (Ultra HD)
- Audio support up to LPCM 7.1CH, Dolby TrueHD and DTS-HD Master Audio
- 5Play™ Convergence: Full uncompressed HD Video, Audio, Ethernet, Power and Controls (IR and RS-232) over a single CAT5e/6/7 cable
- Powered by transmitter without power supply connection (PoC)
- Installation friendly

P/N	Inputs	Outputs	4K	3D	HD Audio	IR	RS-232	Ethernet	PoC	Cable Length	HDCP
CHDBX-1C	1xCAT5e/6/7	1xCAT5e/6/7	Yes	Yes	Yes	Yes	Yes	Yes	Yes	100m (328ft)	Yes

CAT5e/6/7 Repeater with HDMI Bypass Output (70m)

CHDBX-1H1CPL

The CAT5e/6/7 over HDMI and CAT5e/6/7 Splitter can convert a single CAT5e/6/7 input and 2-way IR control to a single CAT5e/6/7 output and includes a simultaneous HDMI bypass output. It supports resolutions up to 1080p Full HD, 4Kx2K timing, 3D and multi-channel digital audio formats (such as LPCM 7.1CH, Dolby TrueHD, Dolby Digital Plus and DTS-HD). The HDMI output can be connected to an HDMI display or cascaded to another splitter. The CAT5e/6/7 output can be connected to a CAT5e/6/7 to HDMI Receiver to extend the operating distance up to 70 meters.



- HDMI with 3D & 4K2K supported, HDCP and DVI compliant
- Simultaneous HDMI and CAT5e/6/7 outputs
- Supports data rate from 250Mbps up to 3Gbps
- Supports wide range of PC resolutions from VGA to WUXGA and HDTV resolutions up to 4K2K (3840x2160@24/25/30Hz, 4096x2160@24Hz and 4K2K@60 YUV_420)
- Supports LPCM 7.1CH, Dolby TrueHD, Dolby Digital Plus and DTS-HD Master Audio transmission (32-192kHz sample rate)

- Supports distances up to 70 meters through CAT5e/6/7 cables
- Can select EDID
- Supports USB service port
- Supports control of devices via 2-way IR
- The 3D signal display follow by display TV's EDID

P/N	Inputs	Outputs	4K	3D	HD Audio	IR	RS-232	Ethernet	PoC	Cable Length	HDCP
CHDBX-1H1CPL	1xCAT5e/6/7	1xHDMI, 1xCAT5e/6/7	Yes	Yes	Yes	Yes	Yes	-	Yes	70m (230ft)	Yes

CAT5e/6/7 Repeater (70m)

CHDBX-1CL

This CHDBX-1CL allows HDBaseT Lite systems to be extended and cascaded. The model supports the highest quality of uncompressed high-definition HD video up to 4K2K (Ultra HD), up to 8 channels of uncompressed multi-channel audio, RS-232 and IR control systems, complete HDBaseT 3Play convergence with just a simple connection over a single CAT5e/6/7 cable.



- HDMI, DVI and HDCP compliant
- Supports 3D over HDMI and 4K2K (Ultra HD) resolution
- Supports CEC bypass
- Doubles up the distance of HDBaseT transmission between HDBaseT Lite transmitter and receiver, with a single repeater. The transmission distance can be added up 70 meters for every additional repeaters up to 3 tiers
- Uncompressed video support up to 1080p@60Hz/36-bit and 4K2K (Ultra HD)
- Audio support up to LPCM 7.1CH, Dolby TrueHD and DTS-HD Master Audio
- 3Play Convergence: Full uncompressed HD Video, Audio and Controls (IR and RS-232) over a single CAT5e/6/7 cable
- Installation friendly

P/N	Inputs	Outputs	4K	3D	HD Audio	IR	RS-232	Ethernet	PoC	Cable Length	HDCP
CHDBX-1CL	1xCAT5e/6/7	1xCAT5e/6/7	Yes	Yes	Yes	Yes	Yes	-	Yes	70m (230ft)	Yes

HDMI 4K UHD Repeater

CPRO-11SR

The CPRO-11SR is an advanced solution for extending an HDMI signal. It does amplify and equalize the HDMI signal to provide high quality audio and video through HDMI cable for distance up to 15 meters at 1080p@60 Hz/8-bit resolution.



- Compliant with HDMI, HDCP 1.2 and DVI 1.0
- Supports HDMI audio sampling rates up to 192 kHz
- HDMI supports high-bit-rate (HBR) audio
- Supports maximum input and output HDMI cable lengths of up to 15 meters each at 1080p/8-bit resolution or 10 meters each at 1080p/12-bit or 4K2K resolution
- Supports the equalization and recovery of incoming TMDS data before re-transmission with optimal signal quality
- Fully HDCP compliant
- Supports DVI conversion with HDMI to DVI adaptor
- Supports CEC bypass function
- Supports 4K2K resolution and 3D signals

P/N	Inputs	Outputs	Input Cable Length	Output Cable Length	4K	3D	Deep Color	HD Audio	HDCP
CPRO-11SR	1xHDMI	1xHDMI	10m (33ft)	10m (33ft)	Yes	Yes	Yes	Yes	Yes

HDMI 4K UHD Enhancer

CPRO-UHH

This HDMI UHD Enhancer is an advanced solution for extending or cascading an HDMI signal, increasing its operating distance. It amplifies and equalizes the signal, providing high quality audio and video through an HDMI cable for distances up to 15 meters at Ultra HD resolution (4K2K@60Hz/YUV420). It can be cascaded up to 5 times (with additional power supply) and is capable of receiving and transmitting up to 9Gbps bandwidth rate with CDR (Clock Data Recovery), ensuring no loss of data. This unit can be powered by the HDMI output of suitability equipped source equipment (eliminating the need for a separate power supply) or, if the HDMI source does not provide a suitable power supply, an HDMI Power Inserter can be used.



- HDMI, HDCP 2.2 and DVI 1.1 compliant
- Built-in TMDS equalization and CDR (Clock Data Recovery) for extended HDMI cable operating distance
- Supports resolutions up to 4K2K@50/60Hz (YUV420) and 21:9 aspect ratio
- Supports HDMI Input/Output cable lengths up to 15m at 4K2K@50/60Hz (YUV420)
- Cascade an HDMI signal up to 5 layers or more (with additional power supply)
- Supports being powered by compatible source devices over the HDMI cable

P/N	Inputs	Outputs	Input Cable Length	Output Cable Length	4K	3D	Deep Color	HD Audio	HDCP
CPRO-UHH	1xHDMI	1xHDMI	15m (50ft)	15m (50ft)	Yes	Yes	Yes	Yes	Yes

HDMI Enhancer

CS-HH

The CS-HH can extend or cascade HDMI digital audio and video signals without signal loss. It is capable of receiving and transmitting 2.25 Gbps bandwidth rate and supports resolutions up to 1080p@60 Hz. It has the added benefit of a built-in equalizer and CDR (Clock Data Recovery) which can provide long cable support even at deep color resolutions. The unit can be powered by the HDMI output of suitably equipped source equipment (eliminating the need for a power supply) or if the HDMI source does not provide a suitable 5V power supply an HDMI Power Inserter can be used.

- Built-in TMDS equalization and CDR (Clock Rate Recovery) for extended HDMI cable distance



- Resolutions support:
 - HDTV: 480i to 1080p@24/50/60 Hz
 - PC: VGA to WUXGA (RB)
- Capable of receiving and transmitting HDMI signals at 2.25 Gbps bandwidth
- Requires HDMI source devices to output power to the unit over HDMI cable

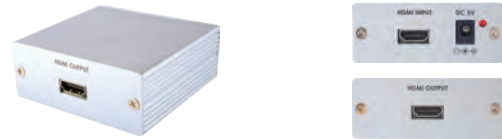
P/N	Inputs	Outputs	Input Cable Length	Output Cable Length	4K	3D	Deep Color	HD Audio	HDCP
CS-HH	1×HDMI	1×HDMI	15m (50ft)	15m (50ft)	-	Yes	Yes	Yes	Yes

HDMI Repeater

CP-1269HM

The Professional HDMI Equalizer is a high performance cable equalizer allows HDMI/DVI cable runs up to 50 meters. It corrects digital error and automatically provides equalization up to 40dB to compensate for cable transmission loss, it will eliminate digital noise (sparkles) to ensure you to receive perfect HDTV picture after long cable transmission.

- Fully automatic equalization up to 40dB at 2.25Gbps, no system control required
- Extend cable runs up to 50 meters-40 meters with 1080p/60Hz 8bit or 30 meters with 1080p/60Hz 12bit from the equalizer to the projector, TV/monitor
- Maintains high HDMI single link video resolution up to WUXGA/1080p.
- Can be powered directly from the cable (However, it's recommended to use external power adaptor for long cable application)
- HDCP compliant, HDMI is backward compatible with DVI
- Plug and play, easy to install



P/N	Inputs	Outputs	Input Cable Length	Output Cable Length	4K	3D	Deep Color	HD Audio	HDCP
CP-1269HM	1×HDMI	1×HDMI	40m (132ft)	10m (33ft)	-	-	-	-	Yes

HDMI Repeater

CH-101

This HDMI to HDMI signal repeater supports to transfer Deep Color (12 bits/color) video and new lossless compressed (Dolby TrueHD, Dolby Digital Plus and DTS-HD Master Audio) digital audio, with a high bandwidth up to 225MHz. The HDMI v1.3 Distribution Amplifier also does amplifies signal and equalization, so as to provide high performance I/O of audio and video through HDMI cables for a distance up to 15 meters each side at 1080p@60Hz.

- HDMI 1.3, HDCP 1.1 and DVI1.1 compliant
- Supports digital video formats in Deep Color Mode at up to 36 bits (12bits/color) and new lossless compressed (Dolby TrueHD, Dolby Digital Plus and DTS-HD Master Audio) digital audio
- Supports equalize and recover incoming TMDS data before re-transmitting them with optimal quality
- Supports high definition input up to 1080p@60Hz, output resolution follows input
- Full HDCP compliant
- Supports CEC function



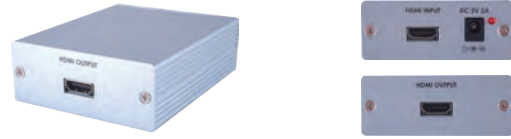
P/N	Inputs	Outputs	Input Cable Length	Output Cable Length	4K	3D	Deep Color	HD Audio	HDCP
CH-101	1×HDMI	1×HDMI	15m (50ft)	10m (33ft)	-	-	Yes	Yes	Yes

HDMI Repeater

CP-263H

The HDMI Repeater regenerates the HDCP-HDMI source signal and extends the length of HDMI transmission over a copper based HDMI cable by 12 meters at 1080p/UXGA.

- It regenerates the incoming HDMI signal by decoding and re-encoding it to a new standard HDMI signal so it can extend the transmission range without degradation
- Extends 1080p/UXGA up to 12 meter transmission distance (lower resolution signal can be transmitted longer)
- HDCP 1.1 compliant
- Plug and play, easy to install



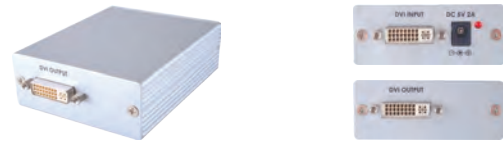
P/N	Inputs	Outputs	Input Cable Length	Output Cable Length	4K	3D	Deep Color	HD Audio	HDCP
CP-263H	1×HDMI	1×HDMI	12m (40ft)	12m (40ft)	-	-	-	-	Yes

DVI Repeater

CP-263D

The DVI Repeater boosts DVI source signal and extends the range of DVI signal transmission over a copper based cable by 12 meters at 1080p/UXGA. It can also be cascaded in multiple stages to achieve maximum transmission distance.

- Correct signal error and boost signal strength for extending transmission range
- Extends 1080p/UXGA up to 12 meters transmission distance (lower resolution signal can be transmitted longer)
- DDC pass through
- HDCP compliant



P/N	Inputs	Outputs	Input Cable Length	Output Cable Length	4K	3D	Deep Color	HD Audio	HDCP
CP-263D	1×DVI	1×DVI	12m (40ft)	12m (40ft)	-	-	-	-	Yes

Dual CAT6 Repeater

CH-108

This is the most advanced solution for CAT6 to CAT6 signal repeater. These two CAT6 connectors are for Video and DDC ports of transmitter and receiver which isolates the DDC capacitances of the two sides of the buffer, supporting to transfer Deep Color (12 bits/color) video and new lossless compressed (Dolby TrueHD, Dolby Digital Plus and DTS-HD Master Audio) digital audio.

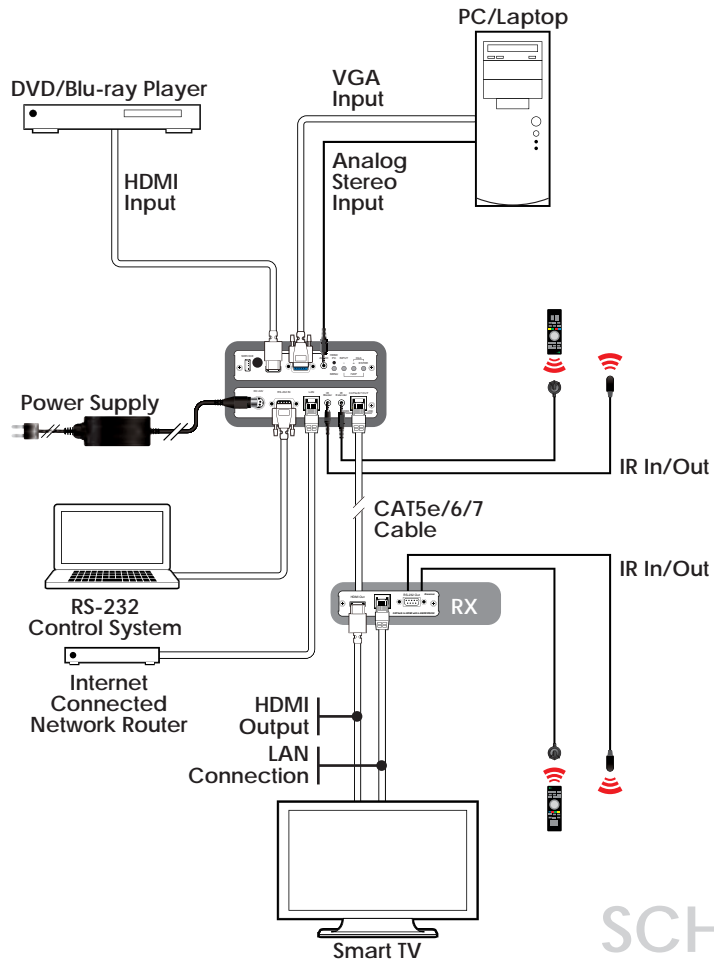
- HDMI 1.3, HDCP 1.1 and DVI1.1 compliant
- Serial data rate at up to 2.25Gbps, capable of supporting the following digital video formats in Deep Color Mode at up to 36 bits (12bits/color)
- Supports 480i, 576i, 480p, 576p, 720p, 1080i to 1080p



- Supports CAT-6 cables for data/DDC transmission
- Supports equalize and recover incoming TMDS data before re-transmitting them with optimal quality
- Supports CEC bypass and xvYCC

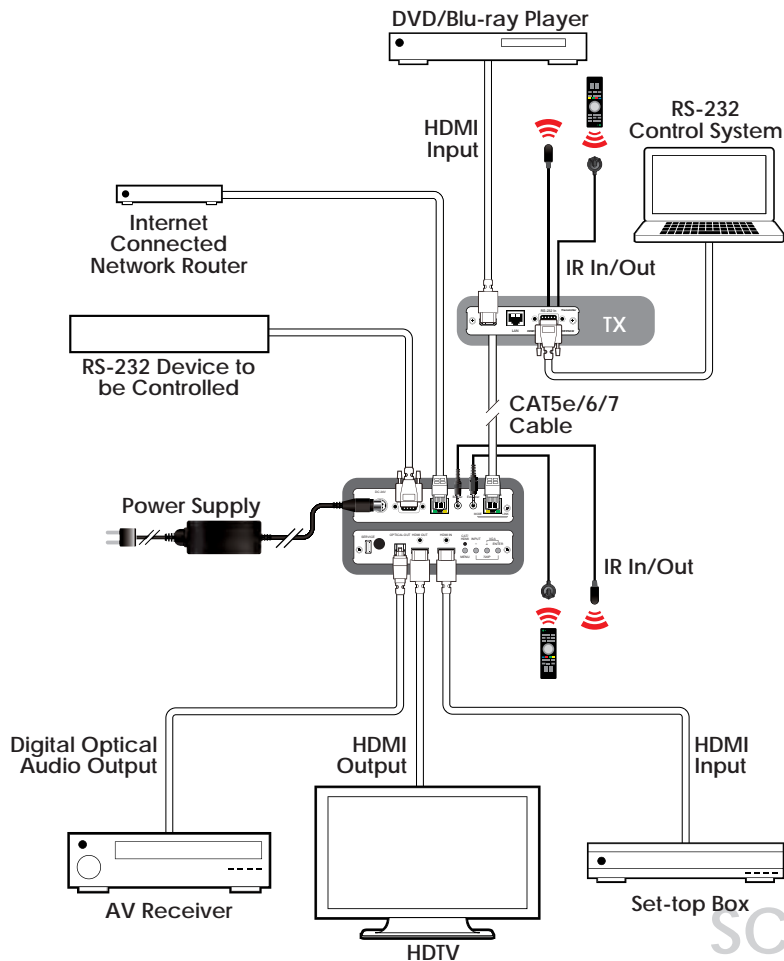
P/N	Inputs	Outputs	Input Cable Length	Output Cable Length	4K	3D	Deep Color	HD Audio	HDCP
CH-108	1×Dual CAT6	1×Dual CAT6	45m (150ft)@8-bit 15m (50ft)@12-bit	45m (150ft)@8-bit 15m (50ft)@12-bit	-	Yes	Yes	Yes	Yes

CH-520TXAHS



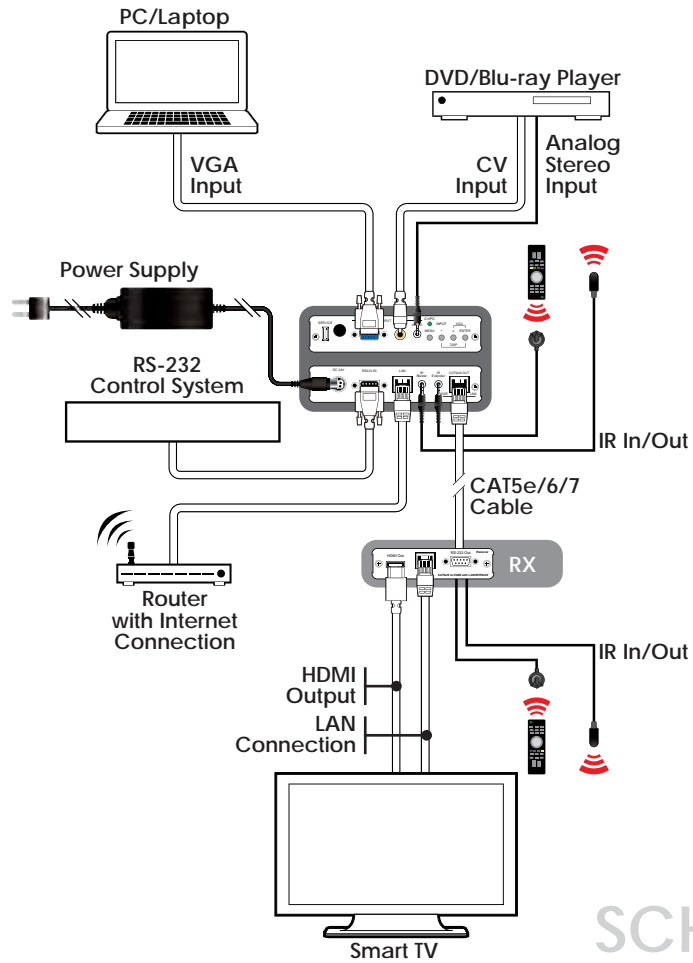
SCHEMATIC

CH-521RXHS



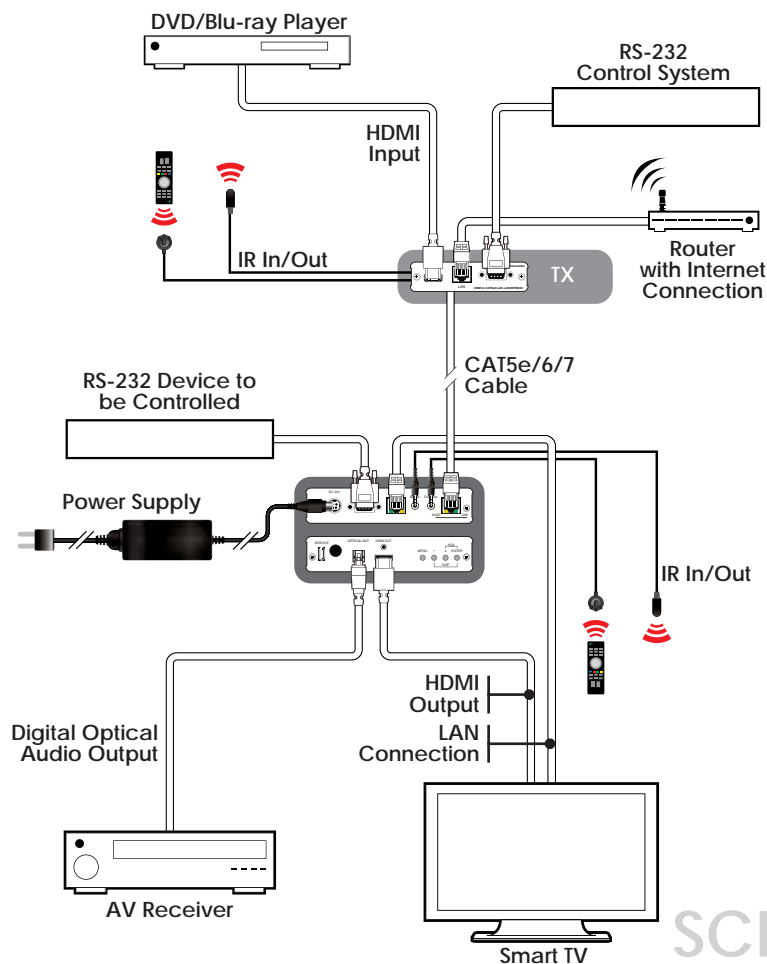
SCHEMATIC

CH-516TXAS



SCHEMATIC

CH-517RXHS



SCHEMATIC

HDMI Scaler

Multi-format to HDMI/HDBaseT Scaler

CDPS-84HB

This HDBaseT™ capable 8 by 4 Digital Presentation Scaler can switch and scale HDMI/HDBaseT/PC/Composite Video signals from any one of its eight inputs and simultaneously display it on any of its HDMI or HDBaseT outputs. The unit has an HDMI bypass output, allowing local monitoring of any of the HDMI or HDBaseT inputs, and features full 5Play™ convergence for easy integration of compatible transmitters and receivers. It has the added benefit of control via IR remote control, RS-232, IP (Telnet/Web GUI), with all information including system status presented on its comprehensive LCD display.



- HDMI, HDCP and DVI compliant
- Features four HDMI inputs with corresponding L/R audio inputs, two HDBaseT CAT5e/6/7 inputs, PC with L/R audio and Composite Video and L/R audio
- Features two HDMI outputs, one HDBaseT CAT5e/6/7 output, one Digital Coaxial audio output and one L/R audio 3.5mm mini-jack output
- Supports scaling of any input signals to a wide range of HDTV and PC output resolutions up to 1080p and WUXGA (RB)
- Supports switchable HDMI bypass allowing local monitoring of any of the HDMI or HDBaseT inputs
- Supports High-definition Audio of LPCM 7.1CH, Dolby TrueHD, Dolby Digital Plus and DTS-HD Master Audio

- transmission
- Simultaneous video output of the selected source through the HDBaseT and HDMI outputs and audio output through the digital coaxial and analog L/R outputs
- Digital to Analog and Analog to Digital Audio conversion (DAC/ADC)
- Supports distances of up to 100 meters over industry standard CAT5e/6/7 cables
- Supports HDBaseT LAN serving function to compatible Receivers
- Supports Power over Cable (PoC) on the CAT5e/6/7 output to a compatible Receiver

P/N	Inputs	Outputs	Upscaled TV Resolutions	Upscaled PC Resolutions	Downscaled TV Resolutions	Downscaled PC Resolutions	Frame Rate Conversion
CDPS-84HB	4×HDMI, 2×CAT5e/6/7, 1×VGA, 1×CV	2×HDMI, 1×CAT5e/6/7, 1×HDMI (Bypass)	1080p@50/60	WUXGA@60 (RB)	480p/576p	VGA@60	50/60

Multi-format to HDMI/VGA Scaler

CSC-5500

The CSC-5500 has Composite Video, Component Video, PC (VGA), and HDMI inputs and can switch and scale the signal to HDMI or VGA with audio outputs. It supports HDMI output resolutions up to 1080p/WUXGA and Analog Digital Conversion (ADC) and Digital Analog Conversion (DAC) allowing a wide range of AV signals to be displayed on a HDMI or VGA display. Further, the On-screen Display (OSD), IR remote, RS-232, IP and on-panel controls make this product very versatile.



- Supports switching and scaling of multiple AV inputs to HDMI or PC/HD outputs
- Supports EDID and HDCP
- Supports 3D de-interlace, noise reduction and 3D comb filter
- Supports frame rate conversion
- Supports RS-232, IP(Telnet/Web GUI) and IR controls
- Supports output timing hot keys switching
- HDMI compatible with DVI
- Supports Digital to Analog (DAC) and Analog to Digital (ADC) Audio conversion
- Supports Non-HDCP signal of Apple computers

P/N	Inputs	Outputs	Upscaled TV Resolutions	Upscaled PC Resolutions	Downscaled TV Resolutions	Downscaled PC Resolutions	Frame Rate Conversion
CSC-5500	3×HDMI, 3×VGA, 1×Component Video, 1×SV, 1×CV	2×HDMI, 1×VGA	1080p@50/60	WUXGA@60 (RB)	480p/576p	VGA@60	50/60

Multi-format to HDMI/VGA Scaler with 3G-SDI Loop Output

CSLUX-300I

The CSLUX-300I is an advanced HDMI, PC, SDI, Composite Video, S-Video and Component Video switcher/scaler. This device can scale and switch input sources and display them to its HDMI and VGA/HD outputs simultaneously, with their associated audio signals, at a wide range of output resolutions up to 1080p or WUXGA (RB). It also has the added benefit of an SDI Loop Out for monitoring or extending the SDI input signal. Control is via the IR remote, RS-232, or via front panel buttons and includes an on-screen menu providing settings and system information.



- Supports HDMI, Composite Video, S-Video, PC (VGA)/ HD (Component Video) and SDI inputs
- Supports HDMI and VGA/Component Video (with adaptor) outputs
- Supports SDI loop through output
- Supports analog stereo, optical and coaxial digital inputs and optical digital output, analog stereo output or embedding to HDMI output
- Supports conversion of multiple video formats and audio input to HDMI or PC/HD and analog stereo outputs
- Supports EDID and HDCP
- Supports 3D de-interlacing, noise reduction and comb filter

- Supports frame rate conversion
- Supports RS-232, remote handset, and front panel control
- Supports SDI Standards of SMPTE 259M-C, SMPTE 292M, SMPTE 424M and SMPTE 425M (Level A and Level B)
- Supports SDI bit rates at 270Mbps, 1.485Gbps, 1.485/1.001Gbps, 2.970Gbps and 2.970/1.001Gbps
- Supports SDI input distance up to 300m (SD-SDI), 200m (HD-SDI) or 100m (3G-SDI)

P/N	Inputs	Outputs	Upscaled TV Resolutions	Upscaled PC Resolutions	Downscaled TV Resolutions	Downscaled PC Resolutions	Frame Rate Conversion
CSLUX-300I	2xHDMI, 1xSDI, 1xVGA, 1xComponent Video, 1xSV, 1xCV	1xHDMI, 1xVGA, 1xSDI (Loop)	1080p@50/60 SMPTE 424M/425M	WUXGA@60 (RB)	480p/576p SMPTE 259M-C	VGA@60	50/60

Multi-format to HDMI/VGA Scaler

CSLUX-300

The CSLUX-300 is an advanced HDMI, PC, Composite Video, S-Video and Component Video switcher/scaler. This device can scale and switch input sources and display them to its HDMI and VGA/HD outputs simultaneously, with their associated audio signals, at a wide range of output resolutions up to 1080p or WUXGA (RB). Control is via the IR remote, RS-232, or via front panel buttons and includes an on-screen menu providing settings and system information.



- Supports HDMI, Composite Video, S-Video, PC (VGA)/ HD (Component Video) and SDI inputs
- Supports HDMI and VGA/Component Video (with adaptor) outputs
- Supports analog stereo, optical and coaxial digital inputs and optical digital output, analog stereo output or embedding to HDMI output
- Supports conversion of multiple video formats and audio input to HDMI or PC/HD and analog stereo outputs
- Supports EDID and HDCP
- Supports 3D de-interlacing, noise reduction and comb filter
- Supports frame rate conversion
- Supports RS-232, remote handset, and front panel control

P/N	Inputs	Outputs	Upscaled TV Resolutions	Upscaled PC Resolutions	Downscaled TV Resolutions	Downscaled PC Resolutions	Frame Rate Conversion
CSLUX-300	2xHDMI, 1xVGA, 1xComponent Video, 1xSV, 1xCV	1xHDMI, 1xVGA	1080p@50/60	WUXGA@60 (RB)	480p/576p	VGA@60	50/60

Multi-format to HDMI Scaler

CP-255I

The CP-255I is designed to upscale digital/analog video signals from Composite, S-Video, PC, Component (HD) and HDMI input sources, to digital HDMI output of a wide range of HDTV and PC resolutions including 1080p and WUXGA (1920x1200). As well as upscaling video, the scaler box also converts digital/analog audio signals to digital format, which can then be output either through HDMI combined with the video signal or separately via the discrete Coaxial S/PDIF output. The Scaler has a comprehensive on-screen display (OSD) menu that allows the user to select a variety of output resolutions and adjust them for the best picture quality.



- HDMI, HDCP 1.1 and DVI 1.0 compliant
- Scales any PC (VGA-WUXGA) or HD (480i-1080p) resolutions to from another PC/HD resolutions
- Automatically detects the correct settings of the connected display and outputs the corresponding resolution and refresh rate, when the NATIVE output is selected
- Supports 50/60 Hz frame rate conversion
- Supports 3D motion video adaptive, 3D de-interlacing, and 3:2/2:2 pull-down detection and recovery
- Provides output picture adjustment on contrast, brightness, hue, saturation, sharpness, RGB (color tone) level, and aspect ratio size
- Supports high resolution input/output:
 - PC: VGA, SVGA, XGA, SXGA, UXGA, WXGA, WSXGA, and WUXGA
 - HDTV: 480i, 576i, 480p, 576p, 720p, 1080i and 1080p
- Supports digital and analog audio input and digital output

P/N	Inputs	Outputs	Upscaled TV Resolutions	Upscaled PC Resolutions	Downscaled TV Resolutions	Downscaled PC Resolutions	Frame Rate Conversion
CP-255I	1xHDMI, 1xVGA, 1xComponent Video, 1xSV, 1xCV	1xHDMI	1080p@50/60	WUXGA@60 (RB)	480i/576i	VGA@60	50/60

DVI/VGA/Component Video to HDMI Scaler

CP-255H

The CP-255H is capable of scaling and source-switching from PC (VGA), Component Video (SD/HD) and HDMI input signals to analog PC (VGA) and digital HDMI outputs. It has the added benefit of control through front panel buttons and IR Remote, and there is on-screen menu (OSD) providing setting selection and system information. The device provides a full range of output resolutions, up to 1080p for HDTV resolutions, and WUXGA (RB) for PC resolutions making it ideal for use in professional large screen presentation applications.



- Supports PC/RGB (up to UXGA), Component Video/HD (480i to 1080p) and HDMI (up to WUXGA) inputs to be scaled to HDMI output (up to 1080p/WUXGA)
- Supports analog PC or SD/HD input in RGBHV, YPbPr/ YCbCr or digital HDMI formats
- Supports HDMI output resolutions from 480i to 1080p and VGA to WUXGA (RB)
- HDMI input is fully HDMI and HDCP compliant
- 'NATIVE' output resolution ensures the most optimal display resolution for user's screen
- Supports automatic detection of input resolutions
- Supports selection of the output resolutions and refresh rates
- Supports adjustment of brightness, contrast, color, RGB level, and Horizontal/Vertical position for the output signal
- Supports advanced features such as Noise Reduction and Overscan/Underscan adjustments
- Supports OSD menu, front panel buttons or IR remote controls

P/N	Inputs	Outputs	Upscaled TV Resolutions	Upscaled PC Resolutions	Downscaled TV Resolutions	Downscaled PC Resolutions	Frame Rate Conversion
CP-255H	1xHDMI, 1xVGA, 1xComponent Video	1xHDMI	1080p@50/60	WUXGA@60 (RB)	480i/576i	VGA@60	50/60

HDMI/DP/VGA to HDMI Scaler with 3D

CS-801H

The CS-801H allows 3D movies to be watched on a 2D displays and can also scale and switch HDMI, DisplayPort and PC inputs to a HDMI output, along with their associated audio signals. The operation of all features can be easily handled through on-panel controls, IR remote control, or by RS-232 protocol.

- Scales HDMI, DisplayPort and PC/Component Video input resolutions to HDMI output resolutions
- Converts 3D signal to 2D signal for 2D display and bypasses 3D source to 3D display without scaling
- Supports HDMI 3D processing on Frame Packing and Top-and-Bottom at resolutions of 720p@50/60Hz and 1080p@24Hz, Side-by-Side Half signals at 720p@50/60Hz, 1080i@50/60Hz (input only) and 1080p@24/50/60Hz
- Supports HDMI/Component Video input resolutions up to 1080p@50/60Hz, DisplayPort up to 2560×1600@60Hz (RB) and PC up to 1920×1200@60/75Hz
- Supports digital and analog audio bi-directional conversion, embedding and de-embedding for audio signals from individual inputs or from the HDMI source
- Supports Component Video input with supplied D-sub 15-pin to 3 RCA phono adaptor



P/N	Inputs	Outputs	Upscaled TV Resolutions	Upscaled PC Resolutions	Downscaled TV Resolutions	Downscaled PC Resolutions	Frame Rate Conversion
CS-801H	2×HDMI, 1×DP, 1×VGA	1×HDMI	1080p@60	WUXGA@60 (RB)	480p	VGA@60	60 only

DVI-DL/mDP/VGA to HDMI Scaler

CS-802D

The CS-802D can switch and convert Dual-Link DVI, Mini-DisplayPort and PC/Component inputs to a HDMI output, along with their associated audio signals. With the ability to scale a wide range of resolutions, the operation of all features can be easily handled through on-panel controls, IR remote control, or by RS-232 protocol.

- Scales Dual-link DVI, Mini DisplayPort and PC/Component Video input resolutions to HDMI output resolutions
- Converts VGA, Component Video, Mini DisplayPort and Dual-link DVI signals to HDMI signal
- Supports Component Video input resolutions up to 1080p@50/60Hz, Dual-link DVI and Mini-DisplayPort up to 2560×1600@60Hz (RB) and PC up to 1920×1200@60/75Hz
- Supports digital and analog audio bi-directional conversion, extraction and insertion for the audio signals from individual inputs
- Supports Component Video input with supplied D-sub 15-pin to 3 RCA phono adaptor



P/N	Inputs	Outputs	Upscaled TV Resolutions	Upscaled PC Resolutions	Downscaled TV Resolutions	Downscaled PC Resolutions	Frame Rate Conversion
CS-802D	1×DVI-DL, 1×mDP, 1×VGA	1×HDMI	1080p@60	WUXGA@60 (RB)	480p	VGA@60	60 only

HQV Multi-format to HDMI/Component Video Scaler

CSO-T2

The Instant HQV HD Scaler box allows you to maximize the full benefits of the today's HDTV's. Using the Industry leading HQV Realta Video Processor to convert standard definition content (PAL/NTSC) into a crisp and detailed HD version, this Scaler box is unlike anything you have ever purchased. Giving you the freedom to enjoy the full benefits of high resolution video by recreating a cinema like experience in the comfort of your home, this device is a worthy addition to any home entertainment system. In addition, the HD inputs have been improved, allowing this HQV scaler to deliver crisp, stunning and noise free full HD video.

HQV



- 3D video decoder for optimal NTSC/PAL/SECAM video quality
- HDMI 1.3 Tx/Rx with Deep Color and xvYCC color gamut
- True 10-bit HQV video processing
- Motion adaptive four field de-interlacing for SD and HD input
- AnyNoise™-Automatically detects different types of noise and applies the appropriate reduction algorithm
- AnyCadence™-Automatically detects all different cadences including 3:2:3:2:2 and animation
- MDDF (Multi Directional Diagonal Filtering) eliminates jaggies for both SD and HD input resolutions

- Lip-sync audio delay
- HQV Detail Enhancement - Processes the SD input image quality to approach HD output image quality

P/N	Inputs	Outputs	Upscaled TV Resolutions	Upscaled PC Resolutions	Downscaled TV Resolutions	Downscaled PC Resolutions	Frame Rate Conversion
CSO-T2	1×HDMI, 1×Component Video, 1×SV, 1×CV	1×HDMI, 1×Component Video	1080p@24/50/60	WUXGA@60 (RB)	480p/576p	VGA@60	24/50/60

HQV COMP/CVBS to HDMI Scaler

CHQV-3CH

The CVBS/COMP to HDMI Scaler Box is specially designed for low resolution analog YCbCr contents video to be upscale and display on HD TV/monitor. This device is suitable for iPod & MPEG 4 like consumer video devices to enjoying display video or images on the big screen with HD resolution. This device has built in the resolution adjustment allowing user to select the best output image according to the favor. Last but not least, the touch button panel and the remote control bring you the stylish and free enjoyment on the entertainment.

HQV



- Full HQV quality de-interlacing
- Improved adaptive motion processing for difficult and poor quality video scenes
- Temporal Noise Reduction (TNR)-Reduces noise caused by on film grain, random noise, sensor noise and light fluctuations
- Block Artifact Reduction (BAR)-Reduces Compression block artifact
- Mosquito Noise Reduction (MNR)-Reduces mosquito noise

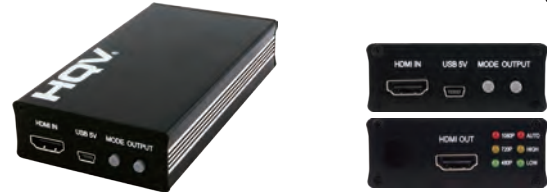
- Supports NTSC/PAL input video and resolution 480i/p and 576i/p
- Video output resolution up to 1080p@50/60 Hz
- Power over USB
- Palm size with stylish design
- Demo before scale and after scale's picture difference
- Enhance picture's detail quality

P/N	Inputs	Outputs	Upscaled TV Resolutions	Upscaled PC Resolutions	Downscaled TV Resolutions	Downscaled PC Resolutions	Frame Rate Conversion
CHQV-3CH	1×Component Video, 1×CV	1×HDMI	1080p@50/60	-	-	-	As is

HQV HDMI to HDMI Scaler

CHQV-2H

The HDMI to HDMI Scaler Box is designed for the Blu-ray DVD players, Digital TV, Cable and Satellite Set-Top Box (STB), Internet Digital Media Adapters, Audio-Video Receivers and Digital Recorders markets, giving you the freedom to enjoy the full benefits of high resolution video by recreating a cinema like experience in the comfort of your home, this device is a worthy addition to any home entertainment system. In addition, the HD inputs have been improved, allowing this Scaler Box to deliver crisp, stunning and noise free full HD video. Up scales low resolution video quality to HD resolution. To improve incoming low resolution to noise free full HD video.



- Full HQV de-interlacing
- Adaptive motion processing for difficult and poor quality video scenes
- Temporal Noise Reduction (TNR): Reduces noise caused by on film grain, random noise, sensor noise and light fluctuations
- Block Artifact Reduction (BAR): Reduces Compression block artifact
- Mosquito Noise Reduction (MNR): Reduces mosquito noise
- 12-bit color space conversion on input and output
- Supports Deep Color at 36-bit color depth and xvYCC color gamut
- HDMI output resolution 480p/576p, 720p@50/60Hz, 1080p@50/60Hz
- Powered by its USB connection, or by an AC connection using an adaptor

P/N	Inputs	Outputs	Upscaled TV Resolutions	Upscaled PC Resolutions	Downscaled TV Resolutions	Downscaled PC Resolutions	Frame Rate Conversion
CHQV-2H	1xHDMI	1xHDMI	1080p@50/60	-	480p/576p	-	As is

HDMI/HDBaseT to Dual HDMI Scaler

CDPS-US100R

This HDMI UHD Receiver/Scaler is designed to extend and scale an HDMI or HDBaseT™ signal to two HDMI outputs and an analog audio output simultaneously. It supports the latest HDMI features such as 4K2K, 3D, 36-bit 'Deep Color', Hi-Definition lossless audio and more. Allowing the transmission of uncompressed video and audio, as well as bi-directional IR control, RS-232 pass through, and LAN serving over a single CAT5e/6/7 cable up to distances of 100m. The unit can be easily controlled through on-panel buttons, On-Screen Display (OSD), IR remote control, RS-232 and IP (Web GUI/Telnet).



- HDMI (with 3D support) and HDCP compliant
- Supports HDTV resolutions up to 4K2K (3840x2160@24/25/30/50/60Hz@YUV420 & 4096x2160@24/50/60Hz@YUV420)
- Supports downscaling of HD resolutions on to monitor/display
- Supports data rates up to 340Mbps/10.2Gbps and 'Deep Color' up to 1080p/36-bit
- Supports simultaneous HDMI outputs with individual resolution settings
- Supports pass-through of audio formats: LPCM 2/5.1/7.1CH, Dolby Digital 2~5.1CH, DTS 2~5.1CH, Dolby Digital Plus, Dolby TrueHD and DTS-HD Master Audio
- Supports Balanced audio and bi-directional IR control
- Supports Ethernet transmission rates up to 100Mbps
- Supports control via On-Screen Display (OSD), on-panel buttons, IR Remote, RS-232 and IP (Web GUI/Telnet) control

P/N	Inputs	Outputs	Upscaled TV Resolutions	Upscaled PC Resolutions	Downscaled TV Resolutions	Downscaled PC Resolutions	Frame Rate Conversion
CDPS-US100R	1xHDMI	2xHDMI, 1xCAT5e/6/7	4K@24/25/30	WUXGA@60 (RB)	480i/576i	VGA@60	50/60

HDMI to HDMI 4K UHD Scaler

CPRO-2E4KS

The CPRO-2E4KS is designed to upscale a 1080p@24Hz signal up to 4K2K (Ultra HD) or downscale a 4K2K signal down to 1080p@24Hz. The device features a single HDMI input and two simultaneous HDMI outputs, a 'Bypass' output and a 'Scaled' output. The Bypass output will always bypass the original signal, while the Scaled output can be set to upscale to 4K2K, downscale to 1080p@24Hz or to bypass without scaling. The HDMI 4K2K Scaler is an ideal solution for integrating a 4K2K source into a 1080p HD system or vice versa.



- Supports HDMI signal upscaling from 1080p to 4K2K or downscaling from 4K2K to 1080p
- Supports HD resolutions of 1080p@24/25/30Hz
- Supports 4K2K resolutions of 4096x2160p@24Hz and 3840x2160p@24/25/30Hz
- Supports HDMI signal bypass
- Simultaneous HDMI outputs
- User friendly and simple to use

P/N	Inputs	Outputs	Upscaled TV Resolutions	Upscaled PC Resolutions	Downscaled TV Resolutions	Downscaled PC Resolutions	Frame Rate Conversion
CPRO-2E4KS	1xHDMI	2xHDMI	4K@24/25/30	-	1080p@24/25/30	-	As Is

HDMI to HDMI Scaler

CPRO-12ES

The 1 by 2 HDMI Scaler is designed to scale both 4K2K and non-4K2K HDMI signal into 1080p and also, bypass 4K2K signal out on to 4K2K display. Allowing all types of HDMI source signal to be display on HDTV/Monitor. With friendly and simple design which allows user with direct viewing on input resolution and output signal up to 2 simultaneous HDMI. The 1 by 2 HDMI Scaler is your best media between HD and Ultra HD signal.



- Supports HDMI 4K2K signal bypass
- Supports HDMI signal bypass
- Simultaneous HDMI outputs
- Friendly and simple to use

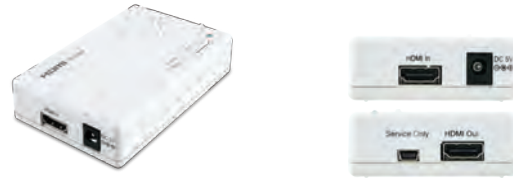
P/N	Inputs	Outputs	Upscaled TV Resolutions	Upscaled PC Resolutions	Downscaled TV Resolutions	Downscaled PC Resolutions	Frame Rate Conversion
CPRO-12ES	1xHDMI	2xHDMI	1080p@50/60	WUXGA@60 (RB)	480p/576p	VGA@60	-

HDMI to HDMI Scaler

CP-302M

The CP-302M is designed to scale HDMI sources, either HD or PC resolution, to an alternative HDMI resolution (HD or PC). The device is HDMI and DVI compliant and is perfect for the integration of sources where resolution and/or resolution type requires conversion. A simple on-screen display (OSD) allows the user to configure the device with ease.

- HDMI, HDCP 1.1 and DVI 1.0 compliant
- Upscale the video signal from an HDMI source up to 1080p@50/60
- Accepts a wide range of input resolutions of 480i to 1080p (HDTV) and VGA to WUXGA (PC)
- Supports audio sampling rate up to 192 kHz
- Motion adaptive 3-D deinterlacing algorithm



- 3-D noise reduction in both temporal and spatial domain
- Frame rate conversion
- Adaptive contrast enhancement
- Supports CEC bypass
- Native output resolution setting

P/N	Inputs	Outputs	Upscaled TV Resolutions	Upscaled PC Resolutions	Downscaled TV Resolutions	Downscaled PC Resolutions	Frame Rate Conversion
CP-302M	1×HDMI	1×HDMI	1080p@60	WUXGA@60 (RB)	480p/576p	VGA@60	50/60

HDMI to HDMI Scaler

CP-298H

This Scaler Box is designed to display your HD images on a HDTV. It can upscale HDMI input sources to HDMI output for a wide-range of HD resolutions; the resolution supported include XGA/UXGA/720p/1080p/1366x768/1440x900/1400x1050. This unit provides you with a variety of output resolutions in order to give you the best picture quality. Move over, with a built-in hot-key OSD this Scaler helps users to view and select the desired resolution instantly.

- Output supports HDMI 1.2, HDCP 1.1 and DVI 1.0 compliant
- Input supports HDMI v1.3 8 bit
- Interlaced progressive conversion with various picture display



- Supports HD resolution input: VGA~WSXGA, WUXGA@60 (RB)/1366x768/1440x900/1400x1050/480p@60, 720p@60, 1080p@60
- Fast switch hot key from 720p to 1080p/1280x800/1366x768/1920x1200 (RB)
- Auto -Detection and Hot plug

P/N	Inputs	Outputs	Upscaled TV Resolutions	Upscaled PC Resolutions	Downscaled TV Resolutions	Downscaled PC Resolutions	Frame Rate Conversion
CP-298H	1×HDMI	1×HDMI	1080p@60	WUXGA@60 (RB)	720p@60	VGA@60	60 only

VGA to HDMI Scaler

CP-304

The CP-304 is designed to scale an analog video signal from a PC source to a digital HDMI output in a wide-range of HD and PC resolutions (up to 1080p/WUXGA RB). In addition to video scaling, the unit can convert an analog stereo audio input to digital and embed it in the HDMI output as 2-channel LPCM. This unit allows the user to select a wide range of output resolutions and features an auto adjustment feature for optimal picture quality.

- HDMI and DVI 1.0 compliant
- Scales PC resolutions to SD/HD or PC resolutions
- Automatically detects the setting of the connected display and outputs the corresponding resolutions and refresh rate when the NATIVE output is selected



- Supports high resolution output:
 - PC: VGA, SVGA, XGA, SXGA, UXGA, WXGA, WSXGA, WUXGA (RB)
 - SD/HD: 480i, 576i, 480p, 576p, 720p, 1080i, 1080p
- Supports embedding of the stereo analog input and PC video to single HDMI output

P/N	Inputs	Outputs	Upscaled TV Resolutions	Upscaled PC Resolutions	Downscaled TV Resolutions	Downscaled PC Resolutions	Frame Rate Conversion
CP-304	1×VGA	1×HDMI	1080p@50/60	WUXGA@60 (RB)	480p/576p	VGA@60	50/60

DVI/VGA/Component Video to HDMI Scaler

CP-290

This Scaler Box is design to display your PC/HD images on the LCDTV with better viewing image. It can upscale PC/DVI input sources to HDMI output for wide-range PC/HD resolutions; PC/DVI/HD/HDMI Supports XGA/UXGA/720p/1080p. This unit allows user to select a variety of output resolutions/format, color space and adjust for the best picture quality. Further, it also transfer sounds through HDMI for users to enjoy both HD images and sounds consistently.



- HDMI 1.3, HDCP 1.1 and DVI 1.0 compliant
- Supports PC/HD resolution input:
 - HDMI: 480p~1080p50/60
 - DVI : VGA~WUXGA
 - PC: VGA~WUXGA
 - HD: 480i~1080p50/60Hz
- Scale PC/HD/DVI/HDMI resolutions to XGA/UXGA/720p/1080p resolutions
- Supports PC/HD&DVI/HDMI to HDMI output
- Transfer L/R and coaxial sounds to HDMI
- Input and output selection buttons for quick and easy function choose

P/N	Inputs	Outputs	Upscaled TV Resolutions	Upscaled PC Resolutions	Downscaled TV Resolutions	Downscaled PC Resolutions	Frame Rate Conversion
CP-290	1×DVI, 1×VGA, 1×Component Video	1×HDMI	1080p@50/60	WUXGA@60 (RB)	720p@50/60	XGA@60	As is

VGA to HDMI Scaler

CP-293N / CP-293

The CP-293N is designed to upscale an analog video signal from a PC (VGA) or HD (Component) source device to digital HDMI output in a wide range of HDTV and PC resolutions up to 1080p/WUXGA. Additionally this unit can also convert a digital/analog audio signal and then simultaneously output to an HDMI, Optical and minijack (L/R audio) connections. This unit has a comprehensive OSD menu that allows the user to select a variety of output resolutions and make picture adjustments to optimize the image quality.



- HDMI, HDCP and DVI compliant
- Supports a wide range of PC resolutions from VGA~WUXGA (RB) and HD resolutions from 480i~1080p
- Automatically detects the display settings of the connected display and outputs the correct resolution and refresh rate when the NATIVE output option is selected
- Supports adjustment of contrast, brightness, hue, saturation, sharpness, RGB (color tone) level and aspect ratio size of the video output
- Supports OSD selectable stereo analog and digital audio inputs and simultaneous stereo analog and digital audio outputs to HDMI, Optical digital audio and analog mini-jack connections

P/N	Inputs	Outputs	Upscaled TV Resolutions	Upscaled PC Resolutions	Downscaled TV Resolutions	Downscaled PC Resolutions	Frame Rate Conversion
CP-293 CP-293N	1×VGA	1×HDMI	1080p@50/60	WUXGA@60 (RB)	480p/576p	VGA@60	50/60

SV/CV to HDMI Scaler

CP-295NN / CP-295N

The CP-295NN is designed to upscale the video signal from an analog input source to a digital HDMI output in a wide-range of HDTV and PC resolutions up to 1080p/WUXGA. Additionally this unit can also convert a digital/analog audio signal and then simultaneously output to an HDMI, Optical and mini-jack (L/R audio) connections. This unit has a comprehensive OSD menu that allows the user to select a variety of output resolutions and make picture adjustments to optimize the image quality.



- HDMI, HDCP and DVI compliant
- Supports a wide range of video standards including NTSC, NTSC 4, PAL, PAL-M, PAL-N and SECAM
- Supports upscaling to resolutions of VGA-WUXGA (PC)/480p-1080p (HD)
- Automatically detects the display settings of the connected display and outputs the correct resolution and refresh rate when the NATIVE output option is selected
- Supports 50/60Hz frame rate conversion
- Supports 3D motion video adaptive, 3D de-interlacing and 3:2:2:2 pull-down detection and recovery
- Provides adjustment of contrast, brightness, hue, saturation, sharpness, RGB (color tone) level and aspect ratio size of the video output
- Supports OSD selectable stereo analog and digital audio inputs and simultaneous stereo analog and digital audio outputs to HDMI, Optical digital audio and analog mini-jack connections

P/N	Inputs	Outputs	Upscaled TV Resolutions	Upscaled PC Resolutions	Downscaled TV Resolutions	Downscaled PC Resolutions	Frame Rate Conversion
CP-295N CP-295NN	1xSV, 1xCV	1xHDMI	1080p@50/60	WUXGA@60 (RB)	-	-	50/60

Component Video to HDMI Scaler

CP-294

This Scaler Box is designed to upscale digital video signal from HD input source to digital HDMI output of wide-range HDTV and PC resolutions, up to 1080p/WUXGA. Besides HD upscaling, the scaler box also converts digital/analog audio signal to digital/analog format, then output to HDMI combining with the video, TOSLink (Optical fiber), and phone jack (L/R audio) simultaneously. This unit has a comprehensive OSD menu that allows user to select a variety of output resolutions and adjust for best picture quality.



- HDMI 1.2, HDCP 1.1 and DVI 1.0 compliant
- Scales any HD resolutions to PC (VGA-WUXGA)/ HD (480i-1080p) resolutions
- Automatically detect the factory setting of the connected display and output the corresponding resolution and refresh rate, when the NATIVE output is selected
- Provides output picture adjustment on contrast, brightness, hue, saturation, sharpness, RGB (color tone) level and aspect ratio size
- Supports high resolution output:
 - PC: VGA, SVGA, XGA, SXGA, UXGA, WXGA, WSXGA, WUXGA
 - SD/HD: 480i, 576i, 480p, 576p, 720p, 1080i and 1080p
- Supports stereo LPCM analog/digital audio input and stereo LPCM analog/digital output. Simply select among the audio input sources in the
- OSD menu, then output the audio to HDMI, TOSLink and phone jack simultaneously

P/N	Inputs	Outputs	Upscaled TV Resolutions	Upscaled PC Resolutions	Downscaled TV Resolutions	Downscaled PC Resolutions	Frame Rate Conversion
CP-294	1xComponent Video	1xHDMI	1080p@50/60	WUXGA@60 (RB)	480i/576i	VGA@60	50/60

HDMI to HDMI Scaler

CP-259HN / CP-259H

The CP-259HN is designed to upscale an HDMI video signal from an HDMI source device and output in a wide range of HDTV and PC resolutions up to 1080p/WUXGA. Additionally this unit can also convert a digital/analog audio signal and then simultaneously output to an HDMI, Optical and mini-jack (L/R audio) connections. This unit has a comprehensive OSD menu that allows the user to select a variety of output resolutions, allowing the conversion of the video signal to maximize compatibility, and make adjustments to optimize the image quality.



- HDMI, HDCP and DVI compliant
- Supports full range of PC resolution from VGA-WUXGA (RB) and HD resolution from 480i-1080p
- Automatically detects the display settings of the connected display and outputs the correct resolution and refresh rate when the NATIVE output option is selected
- Supports 50/60Hz frame rate conversion
- Supports 3-D motion video adaptive, 3-D de-interlacing, and 3:2/2:2 pull-down detection and recovery
- Provides adjustment of contrast, brightness, hue, saturation, sharpness, RGB (color tone) level and aspect ratio size of the video output
- Supports OSD selectable stereo analog and digital audio inputs and simultaneous stereo analog and digital audio outputs to HDMI, Optical digital audio and analog mini-jack connections

P/N	Inputs	Outputs	Upscaled TV Resolutions	Upscaled PC Resolutions	Downscaled TV Resolutions	Downscaled PC Resolutions	Frame Rate Conversion
CP-259H CP-259HN	1xHDMI	1xHDMI	1080p@50/60	WUXGA@60 (RB)	480p/576p	VGA@60	50/60

SV/CV to HDMI Scaler

CM-398H

This is a Video to HDMI™ converter box that can convert SV/ CV (NTSC or PAL or SECAM system) to HDMI resolutions of XGA to UXGA or HD resolutions of 480p to 1080p. With frame rate conversion feature that allows users to view DVD, VCR or video game sources on the HD monitor/TV this device has an On-Screen Display function that allows users to easily select the output resolution and the audio input, after which both the video and audio signal are combined into an HDMI signal so they can be output to a compatible display.



- Operates in NTSC 3.58 and PAL & SECAM system
- Can scale SV/CV to HDMI format
- Output resolution:
 - PC resolutions: XGA, SXGA, UXGA
 - Component resolutions: 480p/576p, 720p@50 or 60, 1080p@50 or 60
- 3D (frame based) motion adaptive YNR/CNR noise reduction
- On-Screen Display
- Advance 3D motion adaptive de-interlace
- Automatic 2:2 & 3:2 film mode detection
- Play video games on your HD monitor/TV
- High-resolution output picture
- Plug & play- no drive software required
- Component resolution support 50 to 60 frame rate conversion only not 60 to 50
- PC resolution frame rate only supports 60Hz output

P/N	Inputs	Outputs	Upscaled TV Resolutions	Upscaled PC Resolutions	Downscaled TV Resolutions	Downscaled PC Resolutions	Frame Rate Conversion
CM-398H	1xSV, 1xCV	1xHDMI	1080p@50/60	UXGA@60	-	-	50 to 60

SV/CV to HDMI Scaler

CVLUX-1080P

This scaler Box is designed to display your composite video/ S-video images on the HDTV with better viewing resolutions. It can upscale any composite video/s-video's input sources to HDMI output with wide-range resolutions. Further, this device also can transfer sounds for user to enjoy both HD images and sounds consistently.



- HDMI supports deep color 12 bit, HDCP 1.1, DVI 1.0 compliance
- Scales up Video or S-Video to HDTV 1080p format
- Automatic lipsync (audio delay) ensures audio video synchronization
- Input video systems NTSC/PAL
- Supports 8/10/12 bit deep color on HDMI output up to 6m
- DVI compatible by using HDMI to DVI adaptor
- HQE (High Quality Image enhancer) function
- Digital Noise Reduction – Minimises picture noise, reproducing images true to the original
- Block Noise Reduction – Effectively minimizes all MPEG noise, Improving the digital quality of HDTV broadcasts in particular, where block noise happens most
- MPEG Noise Reduction – Reduce mosquito noise for MPEG video images without losing detail
- Motion adaptive 3D Y/C separation comb filter
- 3D (frame based) motion adaptive noise reduction
- Advanced 3D motion adaptive de-interlace

P/N	Inputs	Outputs	Upscaled TV Resolutions	Upscaled PC Resolutions	Downscaled TV Resolutions	Downscaled PC Resolutions	Frame Rate Conversion
CVLUX-1080P	1xSV, 1xCV	1xHDMI	1080p@50/60	VGA@60	-	-	As is

SCART to HDMI Scaler

CSLUX-1080P

This Scaler Box is designed to display your analog video/ RGB images on HDTV's with better viewing resolutions. It can upscale any SCART input source to HDMI output with a wide-range of resolutions. Incredibly, this device can also transfer sounds allowing everyone to enjoy both HD images and sounds.



- Supports HDMI 1.3 12 bit deep color, HDCP 1.1, DVI 1.0
- Scales up SCART to HDTV 1080p
- Automatic lipsync (audio delay) ensures audio video synchronization
- Input video systems NTSC/PAL
- Supports 8/10/12 bit deep color HDMI output up to 6m
- DVI compatible by using an HDMI to DVI adaptor
- HQE (High Quality Image enhancer) function
- Digital Noise Reduction – Minimizes picture noise, reproducing images that are true to the original
- Block Noise Reduction – Effectively minimizes all MPEG noise, improving the digital quality of HDTV broadcasts particularly, where block noise happens most
- MPEG Noise Reduction – Reduce mosquito noise for MPEG video images without losing detail
- 3D (frame based) motion adaptive noise reduction
- Advanced 3D motion adaptive de-interlace
- Automatic 2:2/3:2 film mode detection
- Automatic and individual resolution selection buttons
- HDMI output with RGB color space design

P/N	Inputs	Outputs	Upscaled TV Resolutions	Upscaled PC Resolutions	Downscaled TV Resolutions	Downscaled PC Resolutions	Frame Rate Conversion
CSLUX-1080P	1xSCART	1xHDMI	1080p@50/60	-	-	-	As is

DVI Scaler

Multi-Format to DVI Scaler

CP-255ID

The CP-255ID Scaler is capable of scaling and sources switching from Composite Video, S-Video, PC (VGA) and DVI input signals to a DVI output. A corresponding analog stereo audio input can be switched and sent to the stereo audio output with the video source selection. It has the added benefit of control through front panel buttons, IR remote, or RS-232, and there is on-screen menu (OSD) providing setting selection and system information. The device provides a full range of output resolutions, up to 1080p for HDTV resolutions, and WUXGA (RB) for PC resolutions.

- Supports the conversion of multiple video and audio formats to DVI
- Supports synchronized output for input video and output audio signals
- Supports 3D de-interlacing, noise reduction and comb filter
- Supports frame rate conversion
- Supports control via RS-232, IR Remote handset and front panel



P/N	Inputs	Outputs	Upscaled TV Resolutions	Upscaled PC Resolutions	Downscaled TV Resolutions	Downscaled PC Resolutions	Frame Rate Conversion
CP-255ID	1×DVI, 1×VGA, 1×SV, 1×CV	1×DVI	1080p@50/60	WUXGA@60 (RB)	480p/576p	VGA@60	50/60

DVI/VGA/Component Video to DVI/VGA Scaler

CP-255DN / CP-255D

The CP-255DN is capable of scaling and source-switching from PC (VGA), Component Video (SD/HD) and DVI input signals to analog PC (VGA) and digital DVI outputs. It has the added benefit of control through front panel buttons and IR Remote, and there is on-screen menu (OSD) providing setting selection and system information. The device provides a full range of output resolutions, up to 1080p for HDTV resolutions, and WUXGA (RB) for PC resolutions making it ideal for use in professional large screen presentation applications.



- Supports PC/RGB (up to WUXGA RB), Component Video/HD (480i to 1080p) and DVI (up to WUXGA) inputs to be scaled to analog PC and digital DVI outputs (up to 1080p/WUXGA RB)
- Supports analog PC or SD/HD input in RGBHV, YPbPr/ YCbCr or digital DVI formats
- Supports digital DVI and analog PC output resolutions from 480i to 1080p and VGA to WUXGA (RB)
- DVI input is fully DVI and HDCP compliant
- 'NATIVE' output resolution ensures the most optimal display resolution for user's screen
- Supports automatic detection of input resolutions
- Supports selection of the output resolutions and refresh rates
- Supports adjustment of brightness, contrast, color, RGB level, and Horizontal/Vertical position for the output signal
- Supports advanced features such as Noise Reduction and Overscan/Underscan adjustments
- Supports OSD menu, front panel buttons or IR remote controls

P/N	Inputs	Outputs	Upscaled TV Resolutions	Upscaled PC Resolutions	Downscaled TV Resolutions	Downscaled PC Resolutions	Frame Rate Conversion
CP-255D	1×DVI, 1×VGA,	1×DVI, 1×VGA,	1080p@50/60	WUXGA@60 (RB)	480i/576i	VGA@60	50/60
CP-255DN	1×Component Video	1×Component Video					

VGA to DVI Scaler

CP-300VD

The CP-300VD is designed to convert a VGA signal to DVI so that it can be displayed on a DVI monitor without loss of image quality. It can upscale VGA input sources to DVI output for a widerange of PC resolutions, from VGA to WUXGA. The Scaler has a variety of output resolutions and adjustment for the best picture quality. Also, the built-in OSD function makes it easy for the user to view or select the desired resolution.



- Supports PC resolution bypass from VGA to WUXGA@60 Hz (RB)
- Supports bypass, manual and TV native modes
- Supports auto-detection and hot plugging

P/N	Inputs	Outputs	Upscaled TV Resolutions	Upscaled PC Resolutions	Downscaled TV Resolutions	Downscaled PC Resolutions	Frame Rate Conversion
CP-300VD	1xVGA	1xDVI-D	-	WUXGA@60 (RB)	-	VGA@60	60, 72, 75, 85 to 60

DVI to DVI Scaler

CP-298D

This Scaler Box is design to display your DVI images on the HDTV with better viewing image. It can upscale DVI input sources to DVI output for wide-range of HD resolutions; the resolution support XGA/UXGA/720p/1080p/1366x768/1440x900/1400x1050/4800/1400x1050. This unit allows user to with a variety of output resolutions and adjust for the best picture quality. Move over, with built-in hot-key OSD function and display it helps user to view and select the desire resolution instantly.



- Output supports HDMI 1.2, HDCP 1.1 and DVI 1.0 compliant
- HDCP compliant
- Input supports HDMI v1.3 8/10/12-bit deep color mode
- Support HD resolution input: VGA-WSXGA, WUXGA (Reduce Blanking)/1366x768/1440x900/1400x1050/480p@60, 720p@60, 1080p@60
- Fast switch hot key from 720p to 1080p/1280x800/1366x768/1920x1200(RB)
- Auto -Detection and Hot plug
- Interlaced to progressive conversion with various picture display supplement

P/N	Inputs	Outputs	Upscaled TV Resolutions	Upscaled PC Resolutions	Downscaled TV Resolutions	Downscaled PC Resolutions	Frame Rate Conversion
CP-298D	1xDVI	1xDVI	1080p@60	WUXGA@60 (RB)	480p	VGA@60	60 only

DVI to DVI Scaler

CP-254

- CP-254 is a high performance DVI scaler that accepts Digital DVI-D input and converts to DVI-I (digital + analog RGB) output
- The input to the CP-254 is digital PC or HDTV signal in the format of either RGBHV or YPbPr/YCbCr data bitstream via 24-pin DVI connector
- The output of the CP-254 is digital + analog PC or HDTV signal in the format of digital RGBHV bitstream plus analog RGBHV, known as DVI-I (Integrated digital and analog)
- The input resolution is automatically detected while the output resolution and refresh rate can be selected through OSD menu and front panel push buttons
- 48 MB frame memory for frame rate conversion
- Output picture adjustment on brightness, Contrast, Color, RGB level, and H-V position
- DVI output enables an all digital rendering of video without the losses associated with an analog interface and is ideal for use with digital display such as LCD, Plasma and DLP projectors



P/N	Inputs	Outputs	Upscaled TV Resolutions	Upscaled PC Resolutions	Downscaled TV Resolutions	Downscaled PC Resolutions	Frame Rate Conversion
CP-254	1xDVI-I	1xDVI-I	1080i@50/60 (Pseudo)	SXGA@75	480i/576i	VGA@60	50/60

VGA to DVI Scaler

CP-252

- CP-252 is a high performance PC/HDTV two-way scaler that accepts analog RGB input(VGA) and converts to DVI-I (digital + analog RGB) output
- The input to the CP-252 is analog PC or HDTV signal in the format either RGBHV, YPbPr, or(YCbCr)
- The output of the CP-252 is digital + analog PC or HDTV signal in the format of digital RGBHV bitstream plus analog RGBHV, known as DVI-I (Integrated digital and analog)
- The input resolution is automatically detected while the output resolution and refresh rate can be selected through OSD menu and front panel push buttons
- 48 MB frame memory for frame rate conversion
- Output picture adjustment on brightness, contrast, color, RGB level, and H-V position
- DVI output enables an all digital rendering of video without the losses associated with an analog interface and is ideal for use with digital display such as LCD, plasma and DLP projectors



P/N	Inputs	Outputs	Upscaled TV Resolutions	Upscaled PC Resolutions	Downscaled TV Resolutions	Downscaled PC Resolutions	Frame Rate Conversion
CP-252	1xVGA/Component Video	1xDVI-I	1080i@50/60 (Pseudo)	SXGA@75	480i/576i	VGA@60	50/60

SV/CV to DVI Scaler

CM-398DI

The CM-398DI is a compact device that allows you to show content from Composite Video (CV) or S-Video (SV) sources on PC monitors or Component televisions. Compact and lightweight this easy to use device allows you to convert SV/CV (NTSC or PAL) formatted content to DVI-I (digital and analog) resolutions from XGA to UXGA or HD resolutions from 480p to 1080p and thanks to frame rate conversion you can view content from DVD/Blu-Ray players or game consoles on DVI monitors.



- Supports NTSC 3.58 and PAL
- High Quality Scaling Engine
- PC output resolution XGA, SXGA, UXGA
- DVI output resolution 480p/576p, 720p, 1080p@50/60
- 3D (frame based) motion adaptive YNR/CNR noise reduction (for Y/C video input)
- An intuitive On Screen Display
- Advanced 3D motion adaptive de-interlace
- Automatic 2:2 & 3:2 film mode detection

P/N	Inputs	Outputs	Upscaled TV Resolutions	Upscaled PC Resolutions	Downscaled TV Resolutions	Downscaled PC Resolutions	Frame Rate Conversion
CM-398DI	1xSV, 1xCV	1xDVI-I	1080p@50/60	UXGA@60	-	-	50 to 60

Video to DVI Scaler

CM-348ST

The CM-348ST is designed to convert Composite Video, S-Video ,YCbCr, and RGBS signals to a variety of computer and HDTV resolutions. It accepts video input of all video systems - NTSC, PAL and SECAM.

The CM-348ST has many great features to upgrade video source to high resolution PC or HDTV quality and is ideal for use in professional large screen presentation.



- Video inputs are 3D de-interlaced and scaled up to PC or HDTV output resolution
- Automatically accommodates worldwide input video systems of NTSC 3.58, NTSC 4.43, PAL, PAL M, PAL N, and SECAM
- High performance adaptive digital 4H Comb filter Y/C separator with adjustable vertical peaking
- Motion compensated deinterlacing algorithms to produce artifact-free progressive scan video signal
- Built in adaptive film mode 3:2 / 2:2 pull-down provides clear and crisp de-interlacing of video originating from 24 fps film, such as DVD movies
- Frame rate up conversion from 50 up to 85Hz
- Vertical temporal filter (VT) removes jaggy and other de-interlacing artifacts from normal video
- OSD menu with adjustable control on Color, Sharpness, Brightness, Contrast and Tint (NTSC)
- Last memory for all adjustments

P/N	Inputs	Outputs	Upscaled TV Resolutions	Upscaled PC Resolutions	Downscaled TV Resolutions	Downscaled PC Resolutions	Frame Rate Conversion
CM-348ST	1xYCbCr, 1xSV, 1xCV	1xDVI-D	1080i@50/60 (Pseudo)	SXGA@60	480p/576p	VGA@60	50/60

mDP Scaler

SV/CV to mDP Scaler

CVMDP-1080P

This scaler box is designed to display your Composite video/ S-Video images on the Mini DisplayPort with better viewing resolutions. It can upscale any Composite video/S-video source into Mini-Display port output with a wide range of resolutions. Additionally, this device can also output high quality audio allowing everyone to enjoy enriching HD images and high quality sound.



- Scales up Composite video or S-Video to HDTV 1080p format
- Automatic lipsync (audio delay) ensures audio video synchronization
- Input video systems NTSC/PAL
- Supports 8bits on the Mini-DisplayPort and can output a signal up to 6 meters away
- HQE (High Quality Image Enhancer) function
- Digital Noise Reduction- Minimizes picture noise, reproducing realistic, high quality images
- Block Noise Reduction- Minimizes all MPEG noise, dramatically improving the quality of HDTV broadcasts

- MPEG Noise Reduction- Reduces mosquito noise in MPEG video images without losing any detail
- Motion adaptive 3D Y/C separation comb filter
- 3D (frame based) motion adaptive noise reduction
- Advanced 3D motion adaptive de-interlace
- Automatic 2:2/3:2 film mode deflection
- Composite video / S-Video input selection button
- Automatic resolution selection and individual resolution selection button
- Mini DisplayPort output with RGB color space design

P/N	Inputs	Outputs	Upscaled TV Resolutions	Upscaled PC Resolutions	Downscaled TV Resolutions	Downscaled PC Resolutions	Frame Rate Conversion
CVMDP-1080P	1xSV, 1xCV	1xmDP	1080p@50/60	VGA@60	480p/576p	VGA@60	50/60

3G-SDI Scaler

Multi-format to HDMI/3G-SDI Scaler

CLUX-M2SDI

The CLUX-M2SDI is designed to switch and upscale HDMI/ PC/Component/Composite inputs and simultaneously output to high definition HDMI formats (720p@50/60Hz or 1080p@50/60Hz) and SDI formats (HD-SDI SMPTE 292M or 3G-SDI 424M/425M).It can also, with additional units, function as a controller for video wall configurations displaying a single image on up to 225 screens (15x15 configuration).



- Supports HDMI, VGA, Component Video and Composite Video input signals
- Supports simultaneous SDI and HDMI output signals
- Supports HDMI input resolutions from VGA@60Hz to SXGA@75Hz and 480p@60Hz/576p@50Hz to 1080p@50/60Hz
- Supports VGA input resolutions from VGA@60Hz to SXGA@60Hz and 1920x1080@60Hz
- Supports Component Video input resolutions from 480i/576i to 1080i/p@50/60Hz
- Supports Composite Video input resolutions of NTSC and PAL
- Scales any input signal to the following output signals:
 - 720p@50/60Hz for HDMI output or SMPTE 292M@1.485Gbps and 1.485/1.001Gbps for HD-SDI output

- 1080p@50/60Hz for HDMI output or 3G-SDI SMPTE 424M and SMPTE 425M (Level A and Level B)@2.970Gbps and 2.970/1.001Gbps for 3G-SDI output
- Supports SDI output distance up to 300m (SD-SDI), 200m (HD-SDI) or 100m (3G-SDI)
- Supports video wall controlling (optional and requires additional units)

P/N	Inputs	Outputs	Upscaled TV Resolutions	Upscaled PC Resolutions	Downscaled TV Resolutions	Downscaled PC Resolutions	Frame Rate Conversion
CLUX-M2SDI	1xHDMI, 1xVGA, 1xComponent Video, 1xCV	1xHDMI, 1xSDI	1080p@50/60 SMPTE 424M/425M	-	480i/576i SMPTE 292M	-	50/60

3G-SDI to Dual 3G-SDI Scaler

CSDI-12SR

The CSDI-12SR allows an SD-SDI, HD-SDI and 3G-SDI signal to be scaled and split to two simultaneous SDI outputs, providing bandwidth up to 2.970 Gbps for 3G-SDI video support allowing the user to distribute and extend their SDI signal. The On-screen Display (OSD) menu can be controlled from the front panel, allowing quick and easy adjustment of all settings.



- Splits an SDI input to two SDI outputs with scaler function
- Supports scaling of any SDI input to any SDI output to SDI standards
- Supports SD-SDI, HD-SDI and 3G-SDI input/output signals with autodetection
- SDI interface operates at bitrates of 270Mbps, 1.485Gbps, 1.485/1.001Gbps, 2.970Gbps and 2.970/1.001Gbps
- Supports SDI input/output modes/standards:
 - SD-SDI/SMPTE 259M-C@270 Mbps
 - HD-SDI/SMPTE 292M@1.485Gbps and 1.485/1.001Gbps
 - 3G-SDI/SMPTE 424M and SMPTE 425M (Level A and Level B)@2.970Gbps and 2.970/1.001Gbps
- Audio supports up to 8 channels at 48kHz
- Supports SDI input/output distances up to 300m (SD-SDI), 200m (HD-SDI) or 100m (3G-SDI)

P/N	Inputs	Outputs	Upscaled TV Resolutions	Upscaled PC Resolutions	Downscaled TV Resolutions	Downscaled PC Resolutions	Frame Rate Conversion
CSDI-12SR	1xSDI	2xSDI	SMPTE 424M/425M	-	SMPTE 259M-C	-	-

3G-SDI to HDMI Scaler

CLUX-SDI2HS

The CLUX-SDI2HS allows SD, HD and 3G-SDI signals to be shown on HDMI display. This means that it is now easier for professionals to distribute and extend their SDI signal while giving the ability to display work on HDMI displays. Furthermore, thanks to coaxial (S/PDIF) and L/R audio outputs users can output audio in both digital and analog formats while the loop-through 3G-SDI design benefits users by letting them simultaneous show content on both SDI and HDMI displays.



- Broadcasts SDI video signal to HDMI display
- Auto-detects SD-SDI, HD-SDI and 3G-SDI input signals
- Supports simultaneous HDMI and loop-through SDI output signals
- Equalized and re-clocked loop output
- Operation at bitrates of 270Mbps, 1.485Gbps, 1.485/1.001Gbps, 2.970Gbps and 2.970/1.001Gbps
- Supports SDI standards of:
 - SD-SDI/SMPTE 259M-C@270Mbps
 - HD-SDI/SMPTE 292M@1.485Gbps and 1.485/1.001Gbps
 - 3G-SDI/SMPTE 424M and SMPTE 425M (Level A and Level B)@2.970Gbps and 2.970/1.001Gbps
- Scales SDI signal to the following HDMI signal:
 - PC resolutions: SVGA@60Hz-WUXGA@60Hz (RB)
 - TV resolutions: 480p/576p-1080p@50/60Hz
- Alternative digital Coaxial (S/PDIF) and analog 2CH audio outputs
- Supports SDI input distance up to 300m (SD-SDI), 200m (HD-SDI) or 100m (3G-SDI)

P/N	Inputs	Outputs	Upscaled TV Resolutions	Upscaled PC Resolutions	Downscaled TV Resolutions	Downscaled PC Resolutions	Frame Rate Conversion
CLUX-SDI2HS	1xSDI	1xHDMI	1080p@50/60	WUXGA@60 (RB)	480p/576p	VGA@60	50/60

3G-SDI to VGA Scaler

CLUX-SDI2VS

The CLUX-SDI2VS allows SD, HD and 3G-SDI signals to be shown on PC/HD display. This means that it is now easier for professionals to distribute and extend their SDI signal while giving the ability to display work on PC/HD display. Furthermore, thanks to coaxial (S/PDIF) and L/R audio outputs users can output audio in both digital and analog formats while the loop-through 3G-SDI design benefits users by letting them simultaneous show content on both SDI and PC/HD displays.

- Broadcasts SDI video signal to VGA/Component Video display
- Auto-detects SD-SDI, HD-SDI and 3G-SDI input signals
- Supports simultaneous VGA/Component Video and loop-through SDI output signals
- Equalized and re-clocked loop output
- Operation at bitrates of 270Mbps, 1.485Gbps, 1.485/1.001Gbps, 2.970Gbps and 2.970/1.001Gbps
- Supports SDI standards of:
 - SD-SDI/SMPTE 259M-C@270Mbps
 - HD-SDI/SMPTE 292M@1.485Gbps and 1.485/1.001Gbps
 - 3G-SDI/SMPTE 424M and SMPTE 425M (Level A and Level B)@2.970Gbps and 2.970/1.001Gbps
- Scales SDI signal to the following VGA or Component Video signal:
 - PC resolutions: VGA@60Hz~WUXGA@60Hz (RB)
 - TV resolutions: 480i/576i~1080p@50/60Hz
- Alternative digital Coaxial (S/PDIF) and analog 2CH audio outputs
- Supports SDI input distance up to 300m (SD-SDI), 200m (HD-SDI) or 100m (3G-SDI)



P/N	Inputs	Outputs	Upscaled TV Resolutions	Upscaled PC Resolutions	Downscaled TV Resolutions	Downscaled PC Resolutions	Frame Rate Conversion
CLUX-SDI2VS	1×SDI	1×VGA/Component Video	1080p@50/60	WUXGA@60 (RB)	480p/576p	VGA@60	50/60

3G-SDI to SV/CV Scaler

CLUX-SDI2CSS

The CLUX-SDI2CSS allows SD, HD and 3G-SDI signals to be shown on SV/CV display. This means that it is now easier for professionals to distribute and extend their SDI signal while giving the ability to display work on PC/HD display. Furthermore, thanks to coaxial (S/PDIF) and L/R audio outputs users can output audio in both digital and analog formats while the loop-through 3G-SDI design benefits users by letting them simultaneous show content on SDI, Composite Video and S-Video displays.

- Broadcasts SDI video signal to SV/CV display
- Auto-detects SD-SDI, HD-SDI and 3G-SDI input signals
- Supports simultaneous S-Video/Composite Video and loop-through SDI output signals
- Equalized and re-clocked loop output
- Operation at bitrates of 270Mbps, 1.485Gbps, 1.485/1.001Gbps, 2.970Gbps and 2.970/1.001Gbps
- Supports SDI standards of:
 - SD-SDI/SMPTE 259M-C@270Mbps
 - HD-SDI/SMPTE 292M@1.485Gbps and 1.485/1.001Gbps
 - 3G-SDI/SMPTE 424M and SMPTE 425M (Level A and Level B)@2.970Gbps and 2.970/1.001Gbps
- Scales SDI signal to the following SV/CV signal:
 - NTSC or PAL
- Alternative digital Coaxial (S/PDIF) and analog 2CH audio outputs
- Supports SDI input distance up to 300m (SD-SDI), 200m (HD-SDI) or 100m (3G-SDI)



P/N	Inputs	Outputs	Upscaled TV Resolutions	Upscaled PC Resolutions	Downscaled TV Resolutions	Downscaled PC Resolutions	Frame Rate Conversion
CLUX-SDI2CSS	1×SDI	1×SV, 1×CV	-	-	NTSC/PAL	-	50/60

VGA/Component Video Scaler

DVI to Component Video Scaler

CP-292

This scaler Box is designed to upscale DVI-I input sources to HD output of wide-range HDTV resolutions. This unit has a comprehensive OSD menu that allows users to select a variety of output resolutions and adjust for the best picture quality.



- DVI 1.0 compliant
- Scales any PC/HD resolutions to HD (480i-1080p) resolutions
- Provides output picture adjustment on contrast, brightness, hue, saturation, sharpness, RGB (color tone) level and aspect ratio size.
- Supports high resolution output:
SD/HD: 480i, 576i, 480p, 576p, 720p, 1080i and 1080p

P/N	Inputs	Outputs	Upscaled TV Resolutions	Upscaled PC Resolutions	Downscaled TV Resolutions	Downscaled PC Resolutions	Frame Rate Conversion
CP-292	1xDVI-I	1xComponent Video	1080p@50/60	-	480i/576i	-	50/60

VGA to VGA Scaler with VGA Bypass Output

CP-291N / CP-291

This Scaler Box is designed to upscale PC/HD input sources to PC/HD output of wide-range PC/HD resolution up to WUXGA/1080p. This unit has a comprehensive OSD menu that allows user to select a variety of output resolutions and adjust for best picture quality. It is ideal for using between incompatible PC source and display by changing picture resolution to match the native resolution of the HD display.



- Supports full range of PC resolution from VGA ~ WUXGA (RB) and HD resolution from 480i-1080p
- Provides output picture adjustment on contrast, brightness, hue, saturation, sharpness, RGB (color tone) level and aspect ratio size
- Automatically detect the factory setting of the connected display and output the corresponding resolution and refresh rate, when the NATIVE output is selected

P/N	Inputs	Outputs	Upscaled TV Resolutions	Upscaled PC Resolutions	Downscaled TV Resolutions	Downscaled PC Resolutions	Frame Rate Conversion
CP-291 CP-291N	1xVGA/Component Video	2xVGA/Component Video	1080p@50/60	WUXGA@60 (RB)	480p/576p	VGA@60	50/60

VGA/Component Video 2-Way Scaler

CP-251F

- CP-251F not only is a video scaler it is also a scan converter and a format transformer
- The resolution of any PC or HDTV inputs can be scaled up or scaled down to any other PC or HDTV resolution, along with its frame rate converted to a selectable frequency
- 48 MB frame memory for frame rate conversion
- Signal format conversion between RGBHV and YPbPr
- Supports input resolutions of VGA/SVGA/XGA/SXGA and 480i/576i/480p/567p/720p/1080i (Fv: 60 to 85 Hz)
- Supports output resolutions of VGA/SVGA/XGA/SXGA and 480p/576p/720p/1080i
- Input mode auto detection



- Input Setup allows for fine-tuning the output picture to a best condition through the adjustment of ADC sampling clock, and phase
- Easy- to- use push buttons and OSD menu control

P/N	Inputs	Outputs	Upscaled TV Resolutions	Upscaled PC Resolutions	Downscaled TV Resolutions	Downscaled PC Resolutions	Frame Rate Conversion
CP-251F	1xVGA/Component Video	1xVGA/Component Video	1080i@50/60 (Pseudo)	SXGA@75	480i/576i	VGA@60	50/60

SV/CV to VGA Scaler

CM-398M

This economical Video to PC converter box that can convert SV/CV (NTSC or PAL system) to supported PC resolution like XGA to UXGA or HD resolutions of 480p to 1080p. With frame rate conversion feature that allows users to view DVD, VCR or Game sources on the PC monitor, this device also has an On-Screen Display that allows users to easily select their desired output resolution.



- Operates in NTSC 3.58MHz and PAL system
- Can scale SV/CV to PC or Component format
- Output resolution:
 - PC resolutions: XGA, SXGA, UXGA
 - Component resolutions: 480p/576p, 720p,1080p
- 3D (frame based) motion adaptive YNR/CNR noise reduction
- On-Screen Display
- Advance 3D motion adaptive de-interlace
- Automatic 2:2 & 3:2 film mode detection
- 50 to 60 Hz frame rate conversion ensures glitch-free display
- Play video games on your VGA monitors
- High-resolution output picture
- Plug & play- no drive software required

P/N	Inputs	Outputs	Upscaled TV Resolutions	Upscaled PC Resolutions	Downscaled TV Resolutions	Downscaled PC Resolutions	Frame Rate Conversion
CM-398M	1xSV, 1xCV	1xVGA/Component Video	1080p@50/60	UXGA@60	-	-	50 to 60

YCbCr/SV/CV to VGA Scaler

CM-347ST

The CM-347ST is designed to convert Composite Video, S-Video ,YCbCr, and RGBS signals to a variety of computer and HDTV resolutions. It accepts video input of all video systems - NTSC, PAL and SECAM.

The CM-347ST has many great features to upgrade video source to high resolution PC or HDTV quality and is ideal for use in professional large screen presentation.



- Video inputs are 3D de-interlaced and scaled up to PC or HDTV output resolution
- Automatically accommodates worldwide input video systems of NTSC 3.58, NTSC 4.43, PAL, PAL M, PAL N, and SECAM
- High performance adaptive digital 4H Comb filter Y/C separator with adjustable vertical peaking
- Motion compensated deinterlacing algorithms to produce artifact-free progressive scan video signal
- Built in adaptive film mode 3:2 / 2:2 pull-down provides clear and crisp de-interlacing of video originating from 24 fps film,such as DVD movies
- Frame rate up conversion from 50 up to 85Hz
- Vertical temporal filter (VT) removes jaggy and other de-interlacing artifacts from normal video
- OSD menu with adjustable control on Color, Sharpness, Brightness, Contrast and Tint (NTSC)
- Last memory for all adjustments

P/N	Inputs	Outputs	Upscaled TV Resolutions	Upscaled PC Resolutions	Downscaled TV Resolutions	Downscaled PC Resolutions	Frame Rate Conversion
CM-347ST	1xYCbCr, 1xSV, 1xCV	1xVGA/Component Video	1080i@50/60 (Pseudo)	SXGA@60	480p/576p	VGA@60	50/60

Down Scaler

HDMI to SV/CV Scaler with HDMI Bypass Output

CM-388M

The CM-388M is designed to convert the digital signal from HDMI (or DVI + Coaxial) source to an analog NTSC or PAL signal, with L/R stereo audio. As well as S-Video and Composite Video outputs, it also provides an HDMI bypass output to deliver the original signal, and a Coaxial output to send S/PDIF digital audio to an amplifier. The unit provides a convenient method of converting non-HDCP high definition content to standard 480i or 576i resolutions for DVR or VCR recorders.



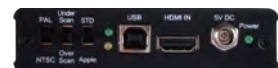
- HDMI, HDCP 1.1 and DVI 1.0 compliant
- Converts video signal from HDMI source to NTSC or PAL signal (selectable)
- Converts digital audio from HDMI source to analog stereo audio
- Accepts a wide range of HDTV input resolutions, from 480i to 1080p@60 Hz and PC from VGA@60 Hz to WUXGA@60 Hz (RB)
- Supports Coaxial input audio sample rate 44.1 kHz, 48 kHz and 96 kHz

P/N	Inputs	Outputs	Upscaled TV Resolutions	Upscaled PC Resolutions	Downscaled TV Resolutions	Downscaled PC Resolutions	Frame Rate Conversion
CM-388M	1×HDMI	1×SV, 1×CV, 1×HDMI (Bypass)	-	-	NTSC/PAL	-	50/60

HDMI to SV/CV Scaler with HDMI Bypass Output

CM-388N

The HDMI to CV/S-Video Converter is designed to convert the digital signal from HDMI (or DVI) source to analog signal of NTSC or PAL system, with L/R stereo audio. As well as S-Video and Composite video outputs, it also provides an HDMI bypass output to deliver the original signal, and a Coaxial output to send S/PDIF digital audio to an amplifier. Not only these, the device also has manual selection of underscan and overscan on output image to ensure the screen best fit for viewer's pleasantness. And, the model has a special Apple Mode switch which allows user to use Apple TV or other Apple devices as source equipment.



- HDMI, HDCP and DVI compliant
- Converts video signal from HDMI source to NTSC or PAL signal (selectable)
- Converts digital audio from HDMI source to analog stereo audio
- Accepts a wide range of HDTV input resolutions, from 480i to 1080p@60Hz and PC from VGA@60Hz to WUXGA@60Hz (RB)
- Supports Coaxial input audio sample rate 44.1 kHz, 48 kHz and 96 kHz
- Output image overscan or underscan switch ensure best fit on screen
- Apple Mode switch guarantees the use of Apple devices

P/N	Inputs	Outputs	Upscaled TV Resolutions	Upscaled PC Resolutions	Downscaled TV Resolutions	Downscaled PC Resolutions	Frame Rate Conversion
CM-388N	1×HDMI	1×SV, 1×CV, 1×HDMI (Bypass)	-	-	NTSC/PAL	-	50/60

Component Video to SV/CV Scaler with Component Bypass Output

CPT-387HD

The CPT-387HD is designed to convert a variety of analog component images, from 480p up to 1080p and can convert them to NTSC or PAL standards video with an additional HD bypass output. Users can also adjust the Overscan/Underscan of the output image. It is ideal for applications like video conferencing, home theater, business presentation, lecturing room etc. where both the original HD and the converted SD signals are required.



- Supports high resolution HD input from 480p up to 1080p
- Supports component (YPbPr) input and downscaling to Composite video/S-video output or HD bypass for simultaneous display output
- Switch easily between NTSC/PAL systems
- Auto-phase adjustment to ensure better image display
- Image Overscan/Underscan selection
- Easy to install and operate

P/N	Inputs	Outputs	Upscaled TV Resolutions	Upscaled PC Resolutions	Downscaled TV Resolutions	Downscaled PC Resolutions	Frame Rate Conversion
CPT-387HD	1×Component Video	1×SV, 1×CV, 1×Component Video (Bypass)	-	-	NTSC/PAL	-	50/60

PC to SV/CV Scaler

CPT-385AM

The CPT-385AM is capable of converting a wide range of analog PC resolutions (from VGA to WUXGA) to interlaced NTSC or PAL video output. This unit features a frame rate conversion function as well as an Overscan/Underscan function that allows users to view a PC/Laptop source fullscreen on a Composite or S-Video monitor without cropping the image.



- Automatically detects and converts the source PC signal to NTSC or PAL
- Supports PC input resolutions from VGA to WUXGA
- Scale down PC video to Composite Video/S-Video
- Switch between NTSC/PAL as required
- Overscan/Underscan switch for optimising the image
- Supports analog to digital ADC conversion

P/N	Inputs	Outputs	Upscaled TV Resolutions	Upscaled PC Resolutions	Downscaled TV Resolutions	Downscaled PC Resolutions	Frame Rate Conversion
CPT-385AM	1×VGA	1×SV, 1×CV	-	-	NTSC/PAL	-	50/60

HDMI to CV Scaler

CV-401H

The CV-401H is designed to convert a digital signal from HDMI source to analog NTSC or PAL signal, with additional L/R stereo audio output. This device allows the user to convert high definition video to standard resolution (480i or 576i) composite (CVBS) format.

The device is HDMI and DVI compliant and has many great features such as motion adaptive 3-D de-interlacing, 3D noise reduction, frame rate conversion, adaptive contrast enhancement and more. It also has a simple on-screen display (OSD) menu that allows the user to access the display status including input/output information.

- HDMI and DVI 1.0 compliant
- Converts an HDMI video signal to NTSC/PAL
- Converts HDMI digital audio to analog stereo audio
- Accepts a wide range of input resolutions of 480i to 1080p (HDTV) and VGA to WUXGA@60 Hz (PC)
- Output picture can be set to 'Underscan' or 'Overscan'
- Motion adaptive 3-D de-interlacing with pixel-by-pixel motion adaptive interpolation
- 3D noise reduction in both temporal and spatial domain
- Frame rate conversion with a arbitrary conversion ratio
- Adaptive contrast enhancement



Note: The converter does NOT support HDCP. If any HDCP-encrypted content is played, there will no any video output.

P/N	Inputs	Outputs	Upscaled TV Resolutions	Upscaled PC Resolutions	Downscaled TV Resolutions	Downscaled PC Resolutions	Frame Rate Conversion
CV-401H	1xHDMI	1xCV	-	-	NTSC/PAL	-	50/60

DVI to CV Scaler

CV-401D

The CV-401D is designed to convert the digital video signal from DVI-D sources to analog composite (CVBS) signal (NTSC or PAL). It is HDMI and DVI compliant and has many great features such like 3D noise reduction, frame rate conversion, adaptive contrast enhancement and many more. It also has a simple on-screen display (OSD) menu that allows the user to access the display status including input/output information.

- DVI 1.0 compliant
- Converts video signal from DVI-D source to NTSC/PAL composite (CVBS) signal
- Accepts a wide range of input resolutions of 480p to 1080p@60 Hz (DVI-D) and VGA to WUXGA@60 Hz (PC)
- 3D noise reduction in both the temporal and spatial domain
- Frame rate conversion
- Adaptive contrast enhancement
- OSD Display
- Overscan and underscan adjustment
- Phase and Aspect adjustment
- No software installation required
- Compact and elegant design



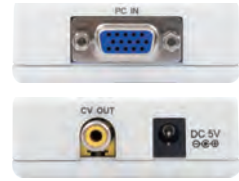
Note: The converter does NOT support HDCP. If any HDCP-encrypted content is played, there will no any video output.

P/N	Inputs	Outputs	Upscaled TV Resolutions	Upscaled PC Resolutions	Downscaled TV Resolutions	Downscaled PC Resolutions	Frame Rate Conversion
CV-401D	1xDVI-D	1xCV	-	-	NTSC/PAL	-	50/60

PC/Component Video to CV Scaler

CV-401V

The CV-401V is designed to down-scale PC/Component source to analog CVBS (NTSC,PAL) signal. Ideal for businesses with multiple CCTV cameras, this device takes your highresolution camera footage and scales it to lower resolutions. Supporting PC resolutions up to WUXGA@60 Hz, this scaler can also connect new video sources to older displays. The device has many great features such as 3D noise reduction, frame rate conversion, adaptive contrast enhancement and many more. It also has a simple on-screen display (OSD) menu that allows the user to access the display status including input/output information.



- Converts the video signal from PC/Component source to NTSC or PAL signal
- Accepts a wide range of input resolutions of 480i to 1080p@60 Hz (Component) and VGA to WUXGA@60 Hz (PC)
- 3D noise reduction in both temporal and spatial domain
- Frame rate conversion
- Adaptive contrast enhancement
- OSD Display
- Overscan and underscan adjustment
- Phase and Aspect adjustment
- No software installation required
- Compact and elegant design

Note: The converter do NOT support the following conversion:

- Interlace source signal conversion between 50/60 Hz
- 480i and 1080i@60 to PAL frame rate conversion
- 576i and 1080i@50 to NTSC frame rate conversion

P/N	Inputs	Outputs	Upscaled TV Resolutions	Upscaled PC Resolutions	Downscaled TV Resolutions	Downscaled PC Resolutions	Frame Rate Conversion
CV-401V	1×VGA/Component Video	1×CV	-	-	NTSC/PAL	-	50/60

HDMI to CV Scaler

CV-400H

The CV-400H will convert an HDMI digital signal to an analog NTSC or PAL signal with analog (L/R) stereo audio. This device provides the ability to convert a high definition signal to a standard definition resolution (480i or 576i) for use with DVRs or VCRs.

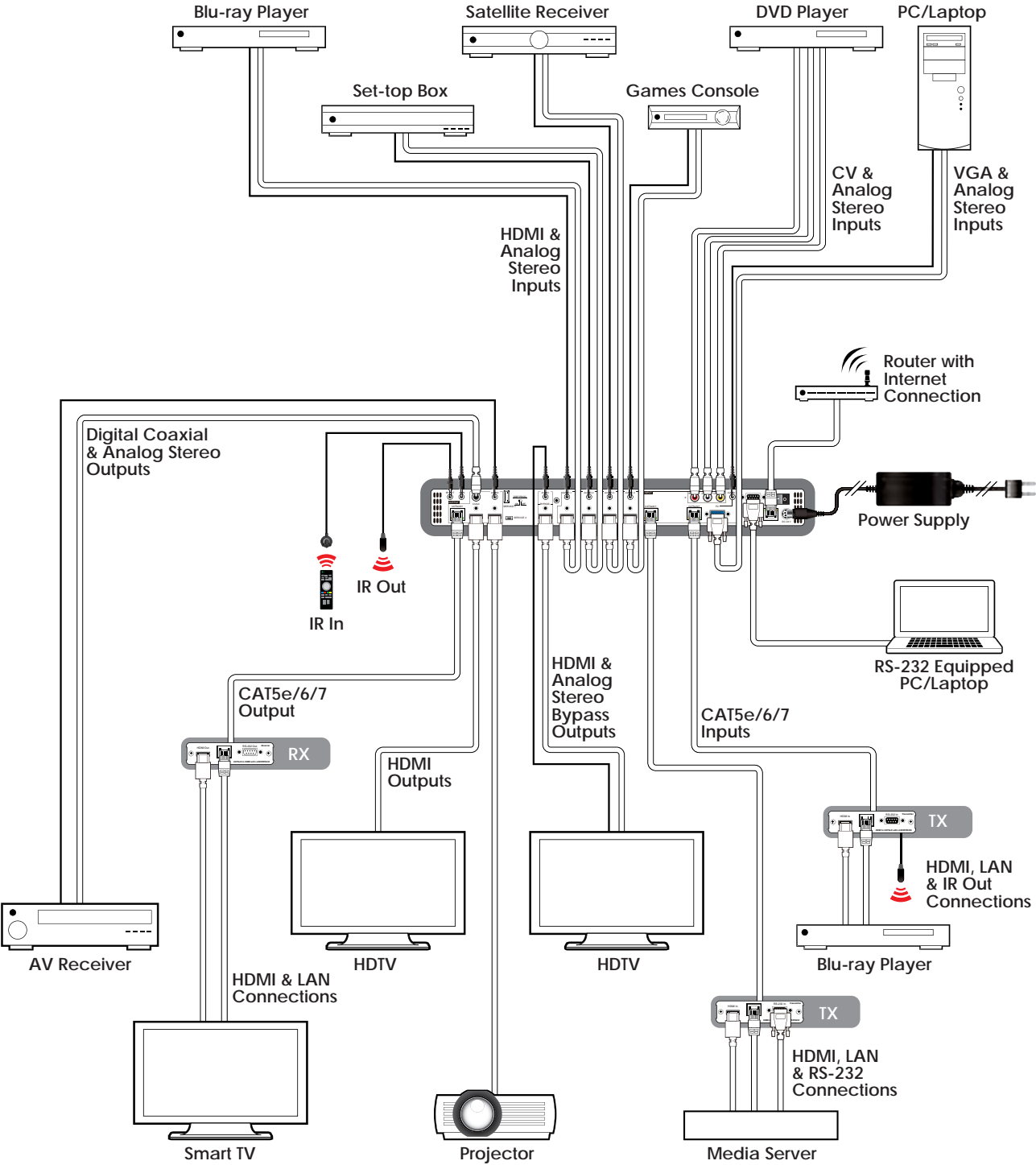
The device is HDMI and DVI compliant and has features such as 3D noise reduction, frame rate conversion, adaptive contrast enhancement as well as a simplified on-screen display (OSD) allowing easy display of current settings.



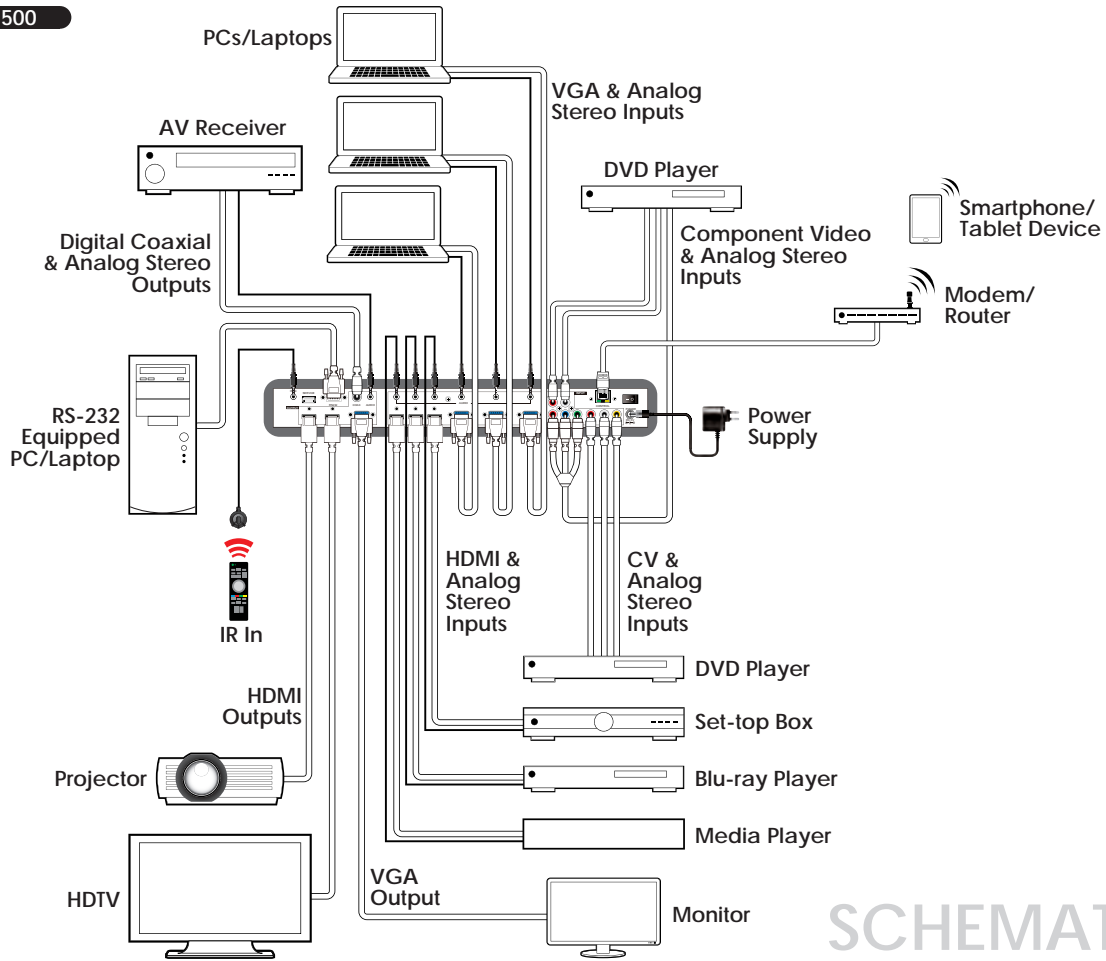
- HDMI and DVI compliant
- Converts video signal from HDMI source to NTSC or PAL signal
- Converts digital audio from HDMI source to analog stereo audio
- Accepts a wide range of HDTV input resolutions, from 480p to 720p@60 Hz and PC from VGA@60 Hz to WUXGA@60 Hz
- Underscan/Overscan option
- 3D noise reduction in both temporal and spatial domain
- Arbitrary frame rate conversion
- Adaptive contrast enhancement

Note: This product does not convert HDMI signals with HDCP encryption. When receiving content that has HDCP encryption there will be no video output.

P/N	Inputs	Outputs	Upscaled TV Resolutions	Upscaled PC Resolutions	Downscaled TV Resolutions	Downscaled PC Resolutions	Frame Rate Conversion
CV-400H	1×HDMI	1×CV	-	-	NTSC/PAL	-	50/60

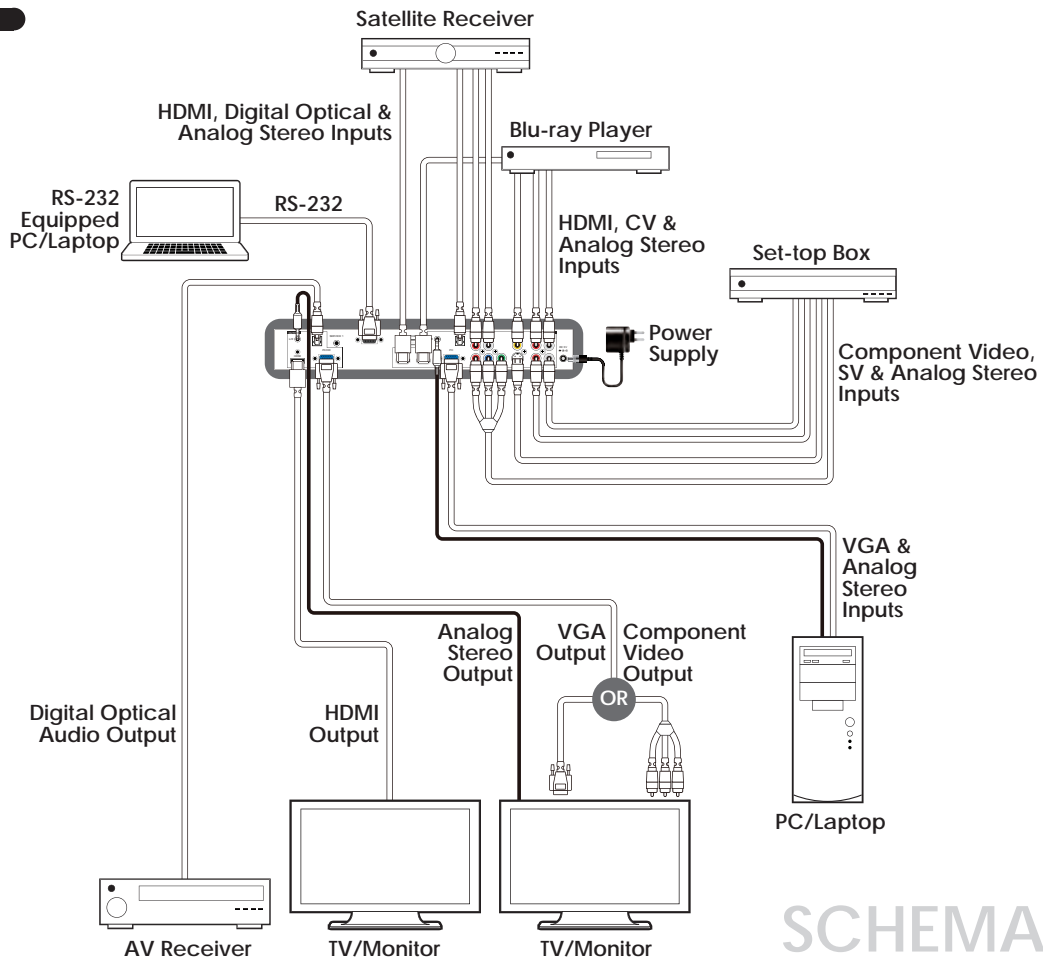


CSC-5500



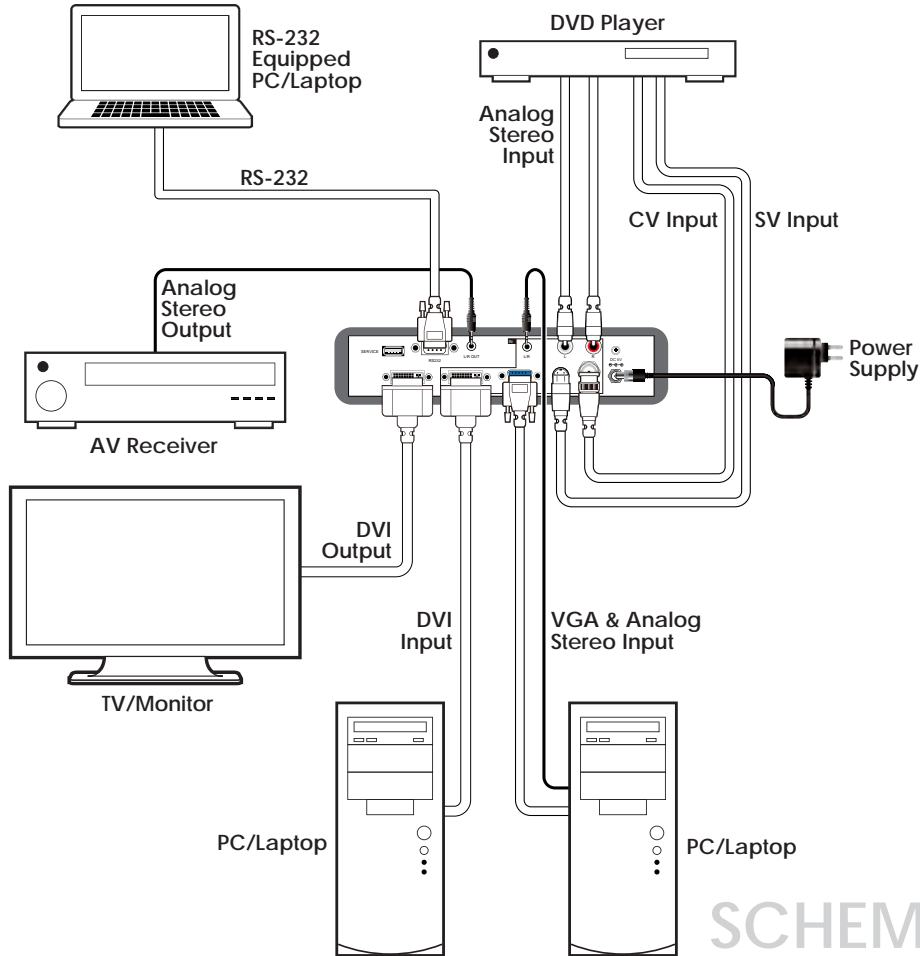
SCHEMATIC

CSLUX-300



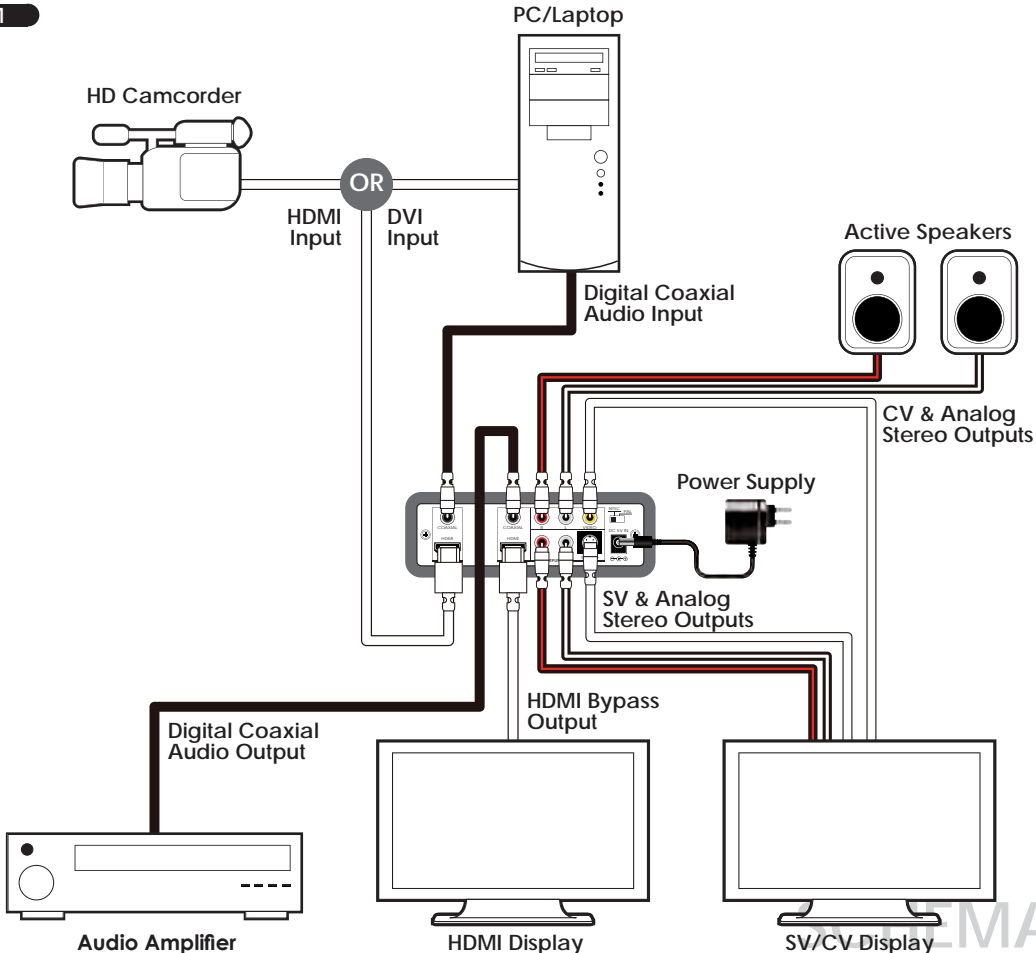
SCHEMATIC

CP-255ID



SCHEMATIC

CM-388M



SCHEMATIC

Video Format Converter

HDMI to Dual 3G-SDI Converter

CLUX-H2SDI

The CLUX-H2SDI allows HDMI signals to be shown on two SDI displays while ensuring high bit rates of 2.970 Gbps to give you high resolution signal without any loss. For professionals this means that it is now easier to convert your high def HDMI signal with audio to SDI for long distance transmission and display your work on two SDI displays. Also, a 2 CH L/R audio input allows DVI signal with 2CH audio to be converted to SDI in order to be shown on SDI displays. Furthermore, the device has a built-in default EDID and a recordable EDID that guarantee image display compatibility with source equipment.

- HDMI signal conversion to SDI signal
- Simultaneous outputs one HDMI source on two SDI displays
- Supports HDMI input resolutions of:
 - 480i@59.94Hz and 576i
 - 720p@50/59.94/60Hz and 1080i@50/59.94/60Hz
 - 1080p@23.98/24/25/29.97/30/50/59.94/60Hz
- Operation at bitrates of 270Mbps, 1.485Gbps, 1.485/1.001Gbps, 2.970Gbps and 2.970/1.001Gbps
- Supports SDI standards of:
 - SMPTE 259M-C@270Mbps
 - SMPTE 292M@1.485Gbps and 1.485/1.001Gbps
 - SMPTE 424M and SMPTE 425M (Level A and Level B)@2.970Gbps and 2.970/1.001Gbps



- Converts HDMI signals to the following SDI signals:
 - 480i and 576i to SD-SDI/SMPTE 259M-C
 - 720p and 1080i to HD-SDI/SMPTE 292M
 - 1080p to 3G-SDI/SMPTE 424M and SMPTE 425M (Level A and Level B)
- Choose between a selectable EDID and recordable EDID settings
- Integrated audio embedder for up to 8 channels of 48kHz
- Alternative HDMI or analog 2CH audio inputs
- Supports SDI output distance up to 300m (SD-SDI), 200m (HD-SDI) or 100m (3G-SDI)

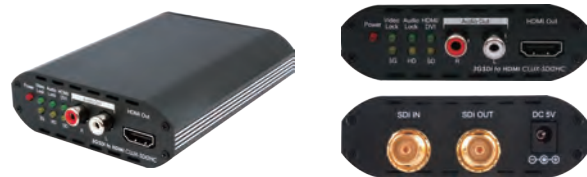
Note: This product does not process HDCP encrypted input signals. There will be no video output when the input signal contains content that is HDCP encrypted.

P/N	Inputs	Outputs	Input Video Formats	Output Video Formats	Supported TV Resolutions	Supported PC Resolutions
CLUX-H2SDI	1xHDMI	2xSDI	Digital RGB/YUV	SD/HD/3G-SDI	480i-1080p	VGA-WUXGA (RB)

3G-SDI to HDMI Converter with 3G-SDI Loop-through Output

CLUX-SDI2HC

The CLUX-SDI2HC allows SD, HD and 3G-SDI signals to be shown on HDMI display. This means that it is now easier for professionals to distribute and extend their SDI signal while giving the ability to display work on HDMI displays. Furthermore, thanks to L/R audio outputs users can output audio in analog formats while the loop-through 3G-SDI design benefits users by letting them simultaneous show content on both SDI and HDMI displays.



- SDI signal conversion to HDMI signal
- SDI signal loop-out and extension
- Auto-detects SD-SDI, HD-SDI and 3G-SDI input signals
- Simultaneous outputs one SDI source on HDMI and loop-through SDI displays
- Equalized and re-clocked loop output
- Operation at bitrates of 270Mbps, 1.485Gbps, 1.485/1.001Gbps, 2.970Gbps and 2.970/1.001Gbps
- Supports SDI standards of:
 - SMPTE 259M-C@270Mbps
 - SMPTE 292M@1.485Gbps and 1.485/1.001Gbps
 - SMPTE 424M and SMPTE 425M (Level A and Level B)@2.970Gbps and 2.970/1.001Gbps
- Converts SDI signals to the following HDMI signals:
 - SD-SDI/SMPTE 259M-C to 480i and 576i
 - HD-SDI/SMPTE 292M to 720p and 1080i
 - 3G-SDI/SMPTE 424M and SMPTE 425M (Level A and Level B) to 1080p and 1080PsF
- Supports HDMI output resolutions of:
 - 480i and 576i
 - 720p@50/59.94/60Hz and 1080i@50/59.94/60Hz
 - 1080p@23.98/24/25/29.97/30/50/59.94/60Hz and 1080PsF@23.98/24/25/29.97/30Hz
- Integrated audio de-embedder for up to 8 channels of 48kHz
- Alternative HDMI or analog 2CH audio outputs
- Supports SDI input/output distance up to 300m (SD-SDI), 200m (HD-SDI) or 100m (3G-SDI)

P/N	Inputs	Outputs	Input Video Formats	Output Video Formats	Supported TV Resolutions	Supported PC Resolutions
CLUX-SDI2HC	1xSDI	1xHDMI, 1xSDI (Loop)	SD/HD/3G-SDI	Digital RGB/YUV	480i-1080p	VGA-WUXGA (RB)

HDMI to 3G-SDI Converter with Audio

CLUX-H2SDIA

The CLUX-H2SDIA allows HDMI signals to be shown on SDI display while ensuring high bit rates of 2.970 Gbps to give you high resolution signal without any loss. For professionals this means that it is now easier to convert your high def HDMI signal with audio to SDI for long distance transmission and display your work on SDI display. In addition, the external audio input allows the user to insert the sound from a different audio source instead of the HDMI embedded audio, and send to the SDI output.



- HDMI signal conversion to SDI signal
- Supports HDMI input resolutions of:
 - 480i@59.94Hz and 576i
 - 720p@50/59.94/60Hz and 1080i@50/59.94/60Hz
 - 1080p@23.98/24/25/29.97/30/50/59.94/60Hz
- Operation at bitrates of 270Mbps, 1.485Gbps, 1.485/1.001Gbps, 2.970Gbps and 2.970/1.001Gbps
- Supports SDI standards of:
 - SMPTE 259M-C@270Mbps
 - SMPTE 292M@1.485Gbps and 1.485/1.001Gbps
 - SMPTE 424M and SMPTE 425M (Level A and Level B)@2.970Gbps and 2.970/1.001Gbps

- Converts HDMI signals to the following SDI signals:
 - 480i and 576i to SD-SDI/SMPTE 259M-C
 - 720p and 1080i to HD-SDI/SMPTE 292M
 - 1080p to 3G-SDI/SMPTE 424M and SMPTE 425M (Level A and Level B)
- Supports SDI output distance up to 300m (SD-SDI), 200m (HD-SDI) or 100m (3G-SDI)

Note: This product does not process HDCP encrypted input signals. There will be no video output when the input signal contains content that is HDCP encrypted.

P/N	Inputs	Outputs	Input Video Formats	Output Video Formats	Supported TV Resolutions	Supported PC Resolutions
CLUX-H2SDIA	1xHDMI	1xSDI	Digital RGB/YUV	SD/HD/3G-SDI	480i-1080p	VGA-WUXGA (RB)

3G-SDI to HDMI Converter with Audio

CLUX-SDI2HCA

The CLUX-SDI2HCA allows SD, HD and 3G-SDI signals to be shown on HDMI display. This means that it is now easier for professionals to distribute and extend their SDI signal while giving the ability to display work on HDMI displays. In addition, the external audio output allows the user to send the audio signal originally embedded in the SDI input to an amplifier or active speakers.



- SDI signal conversion to HDMI signal
- Auto-detects SD-SDI, HD-SDI and 3G-SDI input signals
- Operation at bitrates of 270Mbps, 1.485Gbps, 1.485/1.001Gbps, 2.970Gbps and 2.970/1.001Gbps
- Supports SDI standards of:
 - SMPTE 259M-C@270Mbps
 - SMPTE 292M@1.485Gbps and 1.485/1.001Gbps
 - SMPTE 424M and SMPTE 425M (Level A and Level B)@2.970Gbps and 2.970/1.001Gbps
- Converts SDI signals to the following DVI signals:
 - SD-SDI/SMPTE 259M-C to 480i and 576i
 - HD-SDI/SMPTE 292M to 720p and 1080i
 - 3G-SDI/SMPTE 424M and SMPTE 425M (Level A and Level B) to 1080p and 1080PsF

- Supports DVI output resolutions of:
 - 480i and 576i
 - 720p@50/59.94/60Hz and 1080i@50/59.94/60Hz
 - 1080p@23.98/24/25/29.97/30/50/59.94/60Hz and 1080PsF@23.98/24/25/29.97/30Hz
- Supports SDI input distance up to 300m (SD-SDI), 200m (HD-SDI) or 100m (3G-SDI)

P/N	Inputs	Outputs	Input Video Formats	Output Video Formats	Supported TV Resolutions	Supported PC Resolutions
CLUX-SDI2HCA	1xSDI	1xHDMI	SD/HD/3G-SDI	Digital RGB/YUV	480i-1080p	VGA-WUXGA (RB)

DVI to 3G-SDI Converter with Audio

CLUX-DVI2SDIA

The CLUX-DVI2SDIA allows DVI-D signals to be shown on SDI display while ensuring high bit rates of 2.970 Gbps to give you high resolution signal without any loss. For professionals this means that it is now easier to convert your high definition DVI signal with audio to SDI for long distance transmission and display your work on SDI display. In addition, the external audio input allows the user to insert the sound from a different audio source instead of the DVI embedded audio, and send to the SDI output.



- DVI signal conversion to SDI signal
- Supports DVI input resolutions of:
 - 480i@59.94Hz and 576i
 - 720p@50/59.94/60Hz and 1080i@50/59.94/60Hz
 - 1080p@23.98/24/25/29.97/30/50/59.94/60Hz
- Operation at bitrates of 270Mbps, 1.485Gbps, 1.485/1.001Gbps, 2.970Gbps and 2.970/1.001Gbps
- Supports SDI standards of:
 - SMPTE 259M-C@270Mbps
 - SMPTE 292M@1.485Gbps and 1.485/1.001Gbps
 - SMPTE 424M and SMPTE 425M (Level A and Level B)@of 2.970Gbps and 2.970/1.001Gbps
- Converts DVI signals to SDI signals:
 - 480i and 576i to SD-SDI/SMPTE 259M-C
 - 720p and 1080i to HD-SDI/SMPTE 292M
 - 1080p to 3G-SDI/SMPTE 424M and SMPTE 425M (Level A and Level B)
- Supports SDI output distance up to 300m (SD-SDI), 200m (HD-SDI) or 100m (3G-SDI)

P/N	Inputs	Outputs	Input Video Formats	Output Video Formats	Supported TV Resolutions	Supported PC Resolutions
CLUX-DVI2SDIA	1xDVI	1xSDI	Digital RGB	SD/HD/3G-SDI	480i-1080p	VGA-WUXGA (RB)

3G-SDI to DVI Converter with Audio

CLUX-SDI2DVIA

The CLUX-SDI2DVIA allows SD, HD and 3G-SDI signals to be shown on DVI display. This means that it is now easier for professionals to distribute and extend their SDI signal while giving the ability to display work on DVI display. Additionally, the built-in stereo Audio Out will allow the user to enjoy perfectly synchronized video and audio.



- SDI signal conversion to DVI signal
- Auto-detects SD-SDI, HD-SDI and 3G-SDI input signals
- Operation at bitrates of 270Mbps, 1.485Gbps, 1.485/1.001Gbps, 2.970Gbps and 2.970/1.001Gbps
- Supports SDI standards of:
 - SMPTE 259M-C@270Mbps
 - SMPTE 292M@1.485Gbps and 1.485/1.001Gbps
 - SMPTE 424M and SMPTE 425M (Level A and Level B)@2.970Gbps and 2.970/1.001Gbps
- Converts SDI signals to the following DVI signals:
 - SD-SDI/SMPTE 259M-C to 480i and 576i
 - HD-SDI/SMPTE 292M to 720p and 1080i
 - 3G-SDI/SMPTE 424M and SMPTE 425M (Level A and Level B) to 1080p and 1080PsF
- Supports DVI output resolutions of:
 - 480i and 576i
 - 720p@50/59.94/60Hz and 1080i@50/59.94/60Hz
 - 1080p@23.98/24/25/29.97/30/50/59.94/60Hz and 1080PsF@23.98/24/25/29.97/30Hz
- Supports SDI input distance up to 300m (SD-SDI), 200m (HD-SDI) or 100m (3G-SDI)

P/N	Inputs	Outputs	Input Video Formats	Output Video Formats	Supported TV Resolutions	Supported PC Resolutions
CLUX-SDI2DVIA	1xSDI	1xDVI	SD/HD/3G-SDI	Digital RGB	480i-1080p	VGA-WUXGA (RB)

DisplayPort to HDMI Converter

CDPH-1P

The DisplayPort to HDMI Converter provides digital signal conversion from DisplayPort to HDMI interface, utilizing 'DisplayPort to HDMI Level Shifter' technology this model is able to output TMDS signal fully compatible with HDMI, and so makes it the best solution to show DisplayPort content on HDTV / HDMI monitor.



- HDMI and DVI 1.0 compliant
- Supports DVI monitor if an HDMI to DVI adaptor is used
- Runs without the need to install any software
- Supports audio sampling rate up to 48 kHz

P/N	Inputs	Outputs	Input Video Formats	Output Video Formats	Supported TV Resolutions	Supported PC Resolutions
CDPH-1P	1×DP	1×HDMI	Digital RGB	Digital RGB/YUV	480p-1080p	VGA-WUXGA (RB)

Mini DisplayPort to Dual-link DVI Converter

CMDP-DL2DVI

The Mini DisplayPort converter is specifically designed to allow Mini DisplayPort source to display on the Dual Link DVI display. Supporting resolutions up to 2560×1600 and ideal for display Mac sources on DVI monitor, this device is powered by USB connection which makes it more convenient to power.



- Compliance with DisplayPort Specification V1.1a at 1.62/2.7Gbps data rate (Low bit rate/High bit rate)
- Input/output support up to WQXGA (2560×1600@60RB) VESA display format
- Easy to install and simple to operate
- No software installation
- Compact size with elegant design

P/N	Inputs	Outputs	Input Video Formats	Output Video Formats	Supported TV Resolutions	Supported PC Resolutions
CMDP-DL2DVI	1×mDP	1×DVI-DL	Digital RGB	Digital RGB	-	VGA-WQXGA (RB)

Mini DisplayPort to HDMI Converter

CMDPH-2C

The Mini-DisplayPort to HDMI Converter is designed to display your MAC /PC / Notebook content on an HDTV or monitor. No external power supply is required, as the model can be powered by USB directly. No need to install any software, the model can work with MAC / PC / NB in a plug-and-play fashion, the installation is easy to anyone.



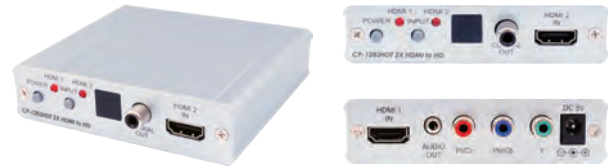
- Compliant with HDMI (with Deep Color), HDCP1.1 and DVI 1.0
- Supports up to 1080p 50/60 & WUXGA
- Supports RGB: YCbCr422: YCbCr444
- Supports bit depth per color with 8/10/12 bits
- Support USB 2CH, LPCM 48K 24 bits
- Bi-direction Color Space Conversion (CSC) between RGB and YCbCr
- Dithering for conversion from 12 bits component to 10/8 bits
- Automatic audio error detection with soft mute function
- Automatic loss of signal detection for link management

P/N	Inputs	Outputs	Input Video Formats	Output Video Formats	Supported TV Resolutions	Supported PC Resolutions
CMDPH-2C	1×mDP	1×HDMI	Digital RGB	Digital RGB/YUV	480i-1080p	VGA-WUXGA (RB)

Dual HDMI to Component Video Converter

CP-1283HDT

The CP-1283HDT allows the conversion of HDMI sources to component (YUV) and de-embedded stereo audio signals. It can switch between two HDMI sources and outputs both digital (COAX) and analog audio signals simultaneously, as well as supporting HD resolutions up to 1080p (output resolution is dependent on input).



- HDMI and DVI 1.0 compliant
- Supports 2 HDMI inputs and 2 audio outputs (digital coaxial, analog L/R)
- Supports HDMI input (8/10/12-bit), component output supports 8-bit
- Supports DVI Input when using an HDMI to DVI adaptor
- HDMI audio input supports LPCM 2CH and supports sampling rates from 32 kHz to 192 kHz
- Component output support tri-level sync for 720p, 1080i and 1080p
- Built-in EDID

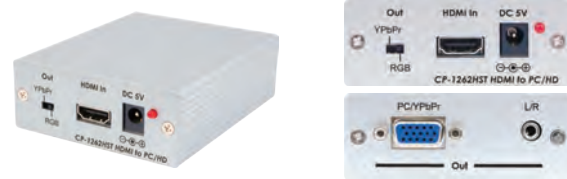
Note: This product does not process HDCP encrypted input signals. There will be no video output when the input signal contains content that is HDCP encrypted.

P/N	Inputs	Outputs	Input Video Formats	Output Video Formats	Supported TV Resolutions	Supported PC Resolutions
CP-1283HDT	2xHDMI	1xComponent Video	Digital RGB/YUV	Analog YUV	480i-1080p	-

HDMI to PC/Component Video Format Converter

CP-1262HST

This converter box is designed to convert HD signal to Analog PC or SD/HD timings. It enables to convert HDMI sources to any analog PC timing for PC monitor, Projector or TV. Its high bandwidth capability supports a wide range of PC and HDTV resolutions.



- HDMI v1.2 and DVI v1.0 compliant.
- Supports HDMI input and Analog PC or SD/HD output
- Supports output selection between YPbPr and RGBHV
- HDMI input support 8-bits without Deep Color support
- HDMI input compatible with DVI format when using HDMI to DVI adaptor
- HDMI audio input support LPCM 2CH and sampling rate support from 32KHz to 96KHz
- Component output support 720p, 1080i and 1080p tri-level sync
- Audio output support stereo R/L
- Built in EDID

Note: This product does not process HDCP encrypted input signals. There will be no video output when the input signal contains content that is HDCP encrypted.

P/N	Inputs	Outputs	Input Video Formats	Output Video Formats	Supported TV Resolutions	Supported PC Resolutions
CP-1262HST	1xHDMI	1xVGA	Digital RGB/YUV	Analog RGB/YUV	480i-1080p	VGA-WUXGA (RB)

HDMI to PC/YPbPr Converter

CP-1262HE



This converter box converts digital HDMI to Analog PC or SD/HD output. It enables to connect the HDMI sources to the analog PC monitor, Projector or TV. Its high bandwidth capability supports a wide range of PC and HDTV resolutions.

- HDMI 1.3, HDCP 1.1 and DVI compliant
- Supports HDMI input and Analog PC or SD/HD output
- Supports output selection between YPbPr and RGB
- Built in EDID.

Note: This product does not process HDCP encrypted input signals. There will be no video output when the input signal contains content that is HDCP encrypted.

DVI to PC/YPbPr Converter

CP-1262DE



This converter box converts digital DVI-D to Analog PC/RGB or HD YPbPr output. It enables the DVI sources to connect with the analog PC monitor, Projector or TV. Its high bandwidth capability supports a wide range of PC and HDTV resolutions.

- Supports DVI-D input and Analog PC/RGB or HD YPbPr output
- Supports output selection between YPbPr and RGB
- Built-in EDID

P/N	Inputs	Outputs	Input Video Formats	Output Video Formats	Supported TV Resolutions	Supported PC Resolutions
CP-1262HE	1×HDMI	1×VGA	Digital RGB/YUV	Analog RGB/YUV	480i-1080p	VGA-WUXGA (RB)
CP-1262DE	1×DVI-D	1×VGA	Digital RGB/YUV	Analog RGB/YUV	480i-1080p	VGA-WUXGA (RB)

PC/YPbPr to HDMI Converter

CP-1261HS



The CP-1261HS allows analog PC RGBHV or YUV signals to be converted to digital HDMI format with embedding of analog stereo audio at the same time. Connect your analog RGBHV/YUV output from a PC or Component Video source to the digital HDMI input of the latest HD ready plasma, LCD or DLP displays. Its high bandwidth capability supports a wide range of PC and HDTV resolutions. Further, its phase enhancement function allows users to freely adjust phase to stabilize image quality.

- Supports a wide range of YUV resolutions (480i-1080p)
- Supports analog audio 2CH (48kHz sampling rate)
- Supports hot plug detection
- Support YCbCr to RGB color space conversion
- Supports input format of RGBHV or YPbPr
- Supports input resolutions up to 1920×1200@60RB for PC and 1080p for HD
- Supports phase adjustment

PC/YPbPr to DVI Converter

CP-1261D



The CP-1261D can convert and upgrade your input signal from analog to digital and VGA to a DVI signal, whether your source is a RGB signal from a PC or a Component signal (through the supplied HD-15 VGA to 3 RCA cable).

- Connects computers with analog PC output or DVD Players with HD component output to digital DVI monitors or projectors
- Manual selection of analog RGB or Component (YPbPr) sources
- Manual selection of output between Bypass or digital RGB
- Supports input resolutions up to 1920×1200@60 (RB) for PC and 1920×1080p@60 Hz for HD component
- Built-in EDID management

P/N	Inputs	Outputs	Input Video Formats	Output Video Formats	Supported TV Resolutions	Supported PC Resolutions
CP-1261HS	1×VGA	1×HDMI	Analog RGB/YUV	Digital RGB/YUV	480i-1080p	VGA-WUXGA (RB)
CP-1261D	1×VGA	1×DVI-D	Analog RGB/YUV	Digital RGB/YUV	480i-1080p	VGA-WUXGA (RB)

YPbPr/YCbCr to HDMI Converter with Audio

CP-280H

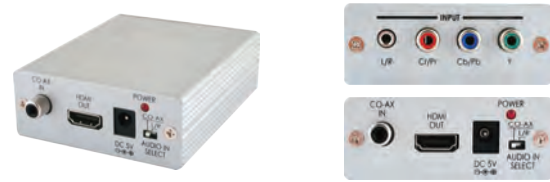


The component with digital audio to HDMI format converter converts analog YCbCr/YPbPr and audio to digital HDMI format. It allows you to connect the YCbCr/YPbPr output from DVD or Set-Top-Box equipment to the digital HDMI input of the latest HD ready plasma, LCD or DLP TV. Its high bandwidth capability supports HDTV resolution up to 1080p.

- HDMI 1.2 compliant
- It enables you to connect Set-Top-Boxes or DVDs with YPbPr/YCbCr and Toslink output to HDMI input of HD ready plasma, LCD or DLP TV
- The input format is YCbCr/YPbPr and digital Toslink audio
- Supports up to 1920x1080p@60Hz

YPbPr/YCbCr to HDMI Converter with Audio

CP-281H



The YPbPr/YCbCr + Audio to HDMI Converter is a YPbPr/YCbCr + Audio to HDMI Converter, which allows you to convert the YPbPr/YCbCr and digital/analog audio output from a DVD Player or Set-top-box equipment to the digital HDMI or DVI input of a HDTV display. It supports high definition input/output up to 1080p.

- Compliant with HDMI 1.2, HDCP 1.1 and DVI 1.0 specifications
- Supports a wide range of resolutions: 480i/480p/576i/576p/720p/1080i/1080p@60Hz
- 3. Supports digital audio input through Co-axial cable, or analog audio input through L/R audio cable

P/N	Inputs	Outputs	Input Video Formats	Output Video Formats	Supported TV Resolutions	Supported PC Resolutions
CP-280H	1×Component Video	1×HDMI	Analog YUV	Digital RGB/YUV	480i-1080p	-
CP-281H	1×Component Video	1×HDMI	Analog YUV	Digital RGB/YUV	480i-1080p	-

HDMI to DVI Converter with Audio

CP-267S

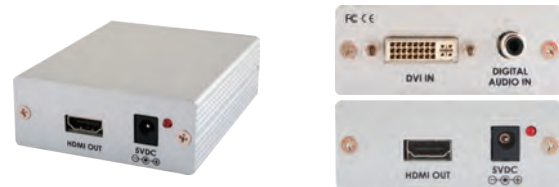


This HDMI to DVI + S/PDIF converter is designed to convert video and audio signals from HDMI sources into DVI/Coaxial audio output. Allowing you to connect HDMI sources to a display with DVI input while at the same time extracting audio signals from the same source to an audio receiver, this converter does not disappoint.

- HDMI 1.2, HDCP 1.1 and DVI 1.0 compliant
- HDMI input and DVI (or HDMI, using proper cable/adapter) with Coaxial output
- Automatically detects the input format between digital RGB and YPbPr
- Supports input/output video resolutions up to UXGA (PC) or 1080p@60Hz (HDTV)
- Supports input/output of digital audio signals like LPCM, Dolby Digital or DTS
- HDMI signal amplification and equalization supported

DVI to HDMI Converter with Audio

CP-268S



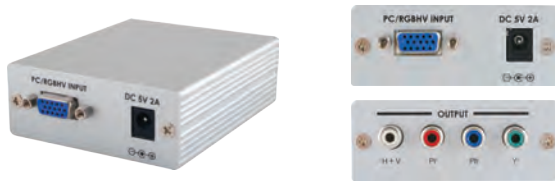
This DVI + S/PDIF to HDMI converter box converts DVI/Coaxial signals into HDMI output. It enables us to connect DVI and digital audio sources to an HDMI display. This device also amplifies and equalizes incoming TMDS data before re-transmitting it in optimal quality regardless of its original signal quality.

- HDMI 1.2, HDCP 1.1 and DVI 1.0 compliant
- Supports DVI/Coaxial input and HDMI output
- Automatic detection of input format: Digital RGB or YPbPr
- Coaxial inputs support LPCM 2CH, Dolby Digital 5.1CH and DTS 5.1CH digital audio
- Fully HDCP compliant
- Supported audio sampling frequencies include: 32, 44.1 and 48kHz

P/N	Inputs	Outputs	Input Video Formats	Output Video Formats	Supported TV Resolutions	Supported PC Resolutions
CP-267S	1×HDMI	1×DVI-D	Digital RGB/YUV	AS IS	480i-1080p	VGA-UXGA
CP-268S	1×DVI-D	1×HDMI	Digital RGB/YUV	AS IS	480i-1080p	VGA-UXGA

PC/RGBHV to YPbPr Converter

CP-264



The RGBHV to YPbPr Color Space Converter is a plug-n-play RGBHV to YPbPr Color Space Converter. It enables you to view PC graphic image on a HDTV via YPbPr connection. Since the input signal is not scaled, the signal timing of Input and output are the same.

- Easy to operate, plug and play
- To view PC image on component HDTV
- Compatible with both interlaced and progressive RGB input

YPbPr to PC/YPbPr Converter

CP-265



This Component to RGB Color Space Converter is a plug-n-play component (YPbPr/YCbCr) to RGBHV color space converter. It allows you to view HDTV programs from your DVD players, video games, or HDTV Set Top Boxes on your PC monitors or projectors via PC VGA input.

- Simple to operate, plug and play
- Supports all component interlaced and progressive formats
- Output is RGBHV on HD-15 connector

P/N	Inputs	Outputs	Input Video Formats	Output Video Formats	Supported TV Resolutions	Supported PC Resolutions
CP-264	1×VGA	1×Component Video	Analog RGB	Analog YUV	480p-720p	VGA-XGA
CP-265	1×Component Video	1×VGA	Analog YUV	Analog RGB/YUV	480i-1080p	VGA-XGA

YPbPr to DVI Format Converter

CP-260D



The YPbPr to DVI-I format converter converts analog YPbPr signal to digital DVI signal. It allows you to connect the YPbPr output from Video equipments to the DVI input of the monitors or projectors. Its high bandwidth capability supports a wide range of PC and HDTV resolutions.

- It enables you to connect DVD or set top box with YPbPr output to the DVI input of your new monitors or projectors
- You can select digital output format between RGB and YPbPr
- Supports up to 1600x1200@60 for PC input and 1920x1080p@60 for HD input
- Supports DDWG standard for DVI compliant monitors

SV/CV to RGB/YCbCr Converter

CP-VSRGB



The CV/SV to YCbCr/RGB Format Converter is designed for converting Composite video/ S-Video signal such as iPod, DVD, X-Box to the component or RGB for connecting to SDTV or projector.

- Automatically recognizes the source system
- Suitable for worldwide video system of NTSC3.58, NTSC4.43, PAL, PAL-M, PAL-N and SECAM
- Supports Composite video and Super Video input
- The output format is selectable between RGB and YCbCr
- Power saving mode
- Simple plug and play unit

P/N	Inputs	Outputs	Input Video Formats	Output Video Formats	Supported TV Resolutions	Supported PC Resolutions
CP-260D	1×Component Video	1×DVI-I	Analog RGB/YUV	Digital RGB/YUV	480i-1080p	VGA-UXGA
CP-VSRGB	1×SV, 1×CV	1×Component Video	NTSC 3.58/NTSC 4.43 PAL/ PAL-M/PAL-N SECAM	Analog RGB/YUV	-	-

HDMI/PC/Component/SV/CV to HDMI Converter

CSC-5300

Looking for a way to watch all of your Analog/Digital devices on an HDMI display without having to constantly switch devices? Well this powerful PC/Video/HD to HDMI Switcher gives you the ability to convert your Analog and digital signals to HDMI output. The product is compatible to HDMI specifications, which is a cutting edge technology that defines the transfer of Deep Color (10-bit and 12-bit) video. Using the front panel or the remote control select the desired input source and sit back and relax as your media is effortlessly displayed, then switch to another source just easily. This HDMI switcher is the smart way to handle your multiple A/V sources.



- DMI 1.3, HDCP1.1 and DVI1.0 compliant
- Deep Color video up to 12bit, 1080p (24/60)Hz
- Supports analog/digital video/audio input and HDMI v1.3 output
- Supports a wide range of PC and HDTV resolutions from VGA to SXGA@60Hz and 480i to 1080p
- Supports 3D comb filter and 3D noise reduction (DNR)
- Simply press a button on the front panel or remote control to convert from 480i/576i to 480p/576p
- Has an audio delay for 150ms, this feature will not function when under HDMI input
- Support IR remote control and RS-232 control

P/N	Inputs	Outputs	Input Video Formats	Output Video Formats	Supported TV Resolutions	Supported PC Resolutions
CSC-5300	3×HDMI, 1×VGA, 2×Component Video, 2×SV, 2×CV	1×HDMI	Digital RGB/YUV Analog RGB/YUV	Digital RGB/YUV	480i-1080p	VGA-WUXGA (RB)

Video to RGB/Sync Converter

CAR-3 / CAR-2G / CAR-1

- Digital decoding and encoding ensures best conversion quality
- Converts NTSC/PAL/SECAM composite video to RGB/ Sync or RGSB(Sync on Green)
- Input system auto detecting
- RGBS input loop through
- Sync polarity switchable between positive and negative
- Output brightness adjustable



• CAR-3

P/N	Inputs	Outputs	Input Video Formats	Output Video Formats	Supported TV Resolutions	Supported PC Resolutions
CAR-1	1×CV/RGBs Wire	1×DB9	NTSC/PAL/SECAM RGBs	Analog RGsB/RGBs	-	-
CAR-2G	1×CV/RGBs Wire	1×DB9	NTSC/PAL/SECAM RGBs	Analog RGsB/RGBs	-	-
CAR-3	2×CV/RGBs Wire	1×DB9	NTSC/PAL/SECAM RGBs	Analog RGsB/RGBs	-	-

3D Video Converter

HDMI/DP/VGA to HDMI Scaler with 3D

CS-801H

The CS-801H allows 3D movies to be watched on a 2D displays and can also scale and switch HDMI, DisplayPort and PC inputs to a HDMI output, along with their associated audio signals. The operation of all features can be easily handled through on-panel controls, IR remote control, or by RS-232 protocol.



- Scales HDMI, DisplayPort and PC/Component Video input resolutions to HDMI output resolutions
- Converts 3D signal to 2D signal for 2D display and bypasses 3D source to 3D display without scaling
- Supports HDMI 3D processing on:
 - Frame Packing and Top-and-Bottom at resolutions of 720p@50/60Hz and 1080p@24Hz
 - Side-by-Side Half at resolutions of 720p@50/60Hz, 1080i@50/60Hz (input only) and 1080p@24/50/60Hz
- Supports HDMI/Component Video input resolutions up to 1080p@50/60Hz, DisplayPort up to 2560x1600@60Hz (RB) and PC up to 1920x1200@60/75Hz
- Supports digital and analog audio bi-directional conversion, embedding and de-embedding for audio signals from individual inputs or from the HDMI source
- Supports Component Video input with supplied D-sub 15-pin to 3 RCA phono adaptor

P/N	Inputs	Outputs	Input Video Formats	Output Video Formats	Supported TV Resolutions	Supported PC Resolutions
CS-801H	2xHDMI, 1xDP, 1xVGA	1xHDMI	Digital RGB/YUV	Digital RGB/YUV	480i-1080p	WUXGA WQUXGA

2D to 3D Video Converter

CH-2D3D



The CH-2D3D offers real-time conversion of 2D content into 3D. Using this device you can easily create a 3D video using 3D TV/display. Instead of purchasing expensive 3D DVDs, this device allows you to convert 2D formats into 3D formats, for instance 2D content to SBS (Side-by-side Half).

- Supports 2D to 3D Side-by-Side (Half)- (SBSH)
- Up to 1080p@60Hz/24Hz and 720p@60Hz 8-bits
- Supports interlace input bypass (2D to 3D excluded)
- Supports automatic 3D bypass

2D to 3D Video Demultiplexer

CH-322



The CH-322 is a device used to separate a 3D signal into its left and right signals for sending to two 2D projectors. The 3D signal must be sent via a 1 to 2 HDMI splitter and each of the two 3D signals must be passed through a 3D Demultiplexer whereby the left or right signal can then be outputted to be passed through to each of the two 2D projectors.

In addition, the 3D Demultiplexer can convert 3D signals to 2D for use with 2D screens.

- Supports 3D content separations for Left/Right fields
- Automatically detects 2D or 3D contents
- Automatically detects if 3D content is Side-by-Side or Frame Packing
- Input resolution supports
 - 2D: 480i/p, 576i/p, 720p@50/60Hz, 1080i@50/60Hz and 1080p@50/60Hz
 - 3D: 720p@50/60Hz (Frame Packing and Side-by-Side), 1080p@24Hz (Frame Packing)
- Output supports 1080p@60Hz only

P/N	Inputs	Outputs	Input Video Formats	Output Video Formats	Supported TV Resolutions	Supported PC Resolutions
CH-2D3D	1xHDMI	1xHDMI	Digital RGB/YUV	Digital RGB/YUV	480i-1080p	-
CH-322	1xHDMI	1xHDMI	Digital RGB/YUV	Digital RGB/YUV	480i-1080p	-

USB Video Converter

USB to HDMI/PC/USB Wireless Converter

CDL-165PRO

Today people are spending more of their time around technology, especially for entertainment purposes, and often encounter problems. People spend a lot of their watching Internet TV (HULU for instance is a popular source for internet TV and movies. However when the Internet TV viewer requires a larger viewing screen for a more immersive experience they then have to go through the hassle of connecting multiple cables, or working with wireless devices that fail to impress us on their quality.

The "USB wireless transmitter and receiver to HDMI display" can allow you to view any PC information on a compatible TV with a wired like experience. An additional feature of this product is that it includes extra USB ports allowing it to perform KVM operations next to the TV, which is an added bonus for those of us who are multi-taskers.



- Worldwide Band Groups 1,3,4 and 6
- Supports HDMI & VGA outputs
- 16/32-bit Color for high-quality images
- HD resolution up to 1920 x 1080
- Has a broadcast range of 10 meters
- Speed up to 150Mb/s
- HDMI and RGB display connectivity
- EDID selection with switch for VGA or HDMI output
- Secure and easy to use

P/N	Inputs	Outputs	Input Video Formats	Output Video Formats	Supported TV Resolutions	Supported PC Resolutions
CDL-165PRO	1xUSB Dongle	1xHDMI, 1xVGA, 2xUSB	Data	Digital RGB/YUV Analog RGB	480p-1080p	VGA-UXGA

Ethernet/USB to HDMI/PC/USB Display Converter

CDL-165ETHG

The device that can send audio/video signals from a Notebook/PC over a local area network through regular Ethernet cables to a TV which can be used as the primary display. When a keyboard and mouse are plugged in, the device will let you to edit word processing documents and play your music/movies on a TV.

Supporting a direct connection up to 100 meters away when using network cables, this gadget also includes two USB ports which let users operate printers, scanners and other USB devices at the same time, just like a PC. This is useful in many different scenarios. For example, during meetings each attendee would be able to access a projector from their laptop without having to fumble with any cables as long as they are connected to the network. This device can also be used as a simple USB to HDMI signal converter thanks to its mini USB input port.



- Supports HDMI & VGA outputs
- 16/32-bit Color for high-quality images
- HD resolutions up to 1920x1080
- HDMI and RGB display connectivity
- EDID selectable with switch for VGA or HDMI output
- Experience the complete PC environment on a TV from 100m away

- Allows a TV to act as the primary PC display and the use of keyboard and mouse to browse the internet, use Microsoft Office, watch movies or listen to music from any networked computer
- Supports high performance 16-bit stereo, 48 kHz audio sampling
- Supports TCP/IP Ethernet protocols
- Supports 10/100/1000 Mbps Ethernet
- Extend or mirror audio and video through a network or USB cable to an HDMI display
- Shares HDMI display with multiple users through your existing office or home IP network
- Add an HDMI display to your computer through a USB 2.0 port
- Supports mirror and extended video modes

P/N	Inputs	Outputs	Input Video Formats	Output Video Formats	Supported TV Resolutions	Supported PC Resolutions
CDL-165ETHG	1xRJ45, 1xUSB	1xHDMI, 1xVGA, 2xUSB	Data	Digital RGB/YUV Analog RGB	480p-1080p	VGA-UXGA

USB to HDMI/PC/USB Display Converter

CDL-165HUB

Today people are spending more of their time around technology, especially for entertainment purposes, and often encounter problems. People spend a lot of their watching Internet TV (HULU for instance is a popular source for internet TV and movies) However when the Internet TV viewer requires a larger viewing screen for a more immersive experience they then have to go through the hassle of connecting multiple cables.

The "USB to HDMI display" can allow you to view any PC information on a compatible TV. An additional feature of this product is that it includes extra USB ports allowing it to perform KVM operations next to the TV, which is an added bonus for those of us who are multi-taskers.



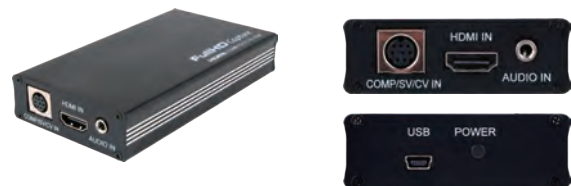
- Supports HDMI & VGA outputs
- 16/32-bit Color for high-quality images
- HD resolution up to 1920 x 1080
- HDMI and RGB display connectivity
- EDID selection with switch for VGA or HDMI output
- Secure and easy to use

P/N	Inputs	Outputs	Input Video Formats	Output Video Formats	Supported TV Resolutions	Supported PC Resolutions
CDL-165HUB	1×RJ45, 1×USB	1×HDMI, 1×VGA, 2×USB	Data	Digital RGB/YUV Analog RGB	480p-1080p	VGA-UXGA

HDMI/COMP/SV/CV to USB Full HD Capture

CUSB-603

This High Definition capture box supports HDMI 1080p video/component/SV/CV input and record to H.264 video format. Its low power consumption and superior video processing capabilities make it ideal for integration into high-end portable and desk top PC products.



- Supports Full HD capture of HDMI/COMP/SV/CV signal to USB
- Built-in H.264/MPEG4-AVC High Definition encoder
- Video input Supports input video timings: 1920x1080, 1280x720, 576, 720x480
- Supports MPEG-4 Advanced Audio Coding (AAC)
- Supports audio sampling frequency of 48 KHz
- Powered via USB bus power with low power consumption

P/N	Inputs	Outputs	Input Video Formats	Output Video Formats	Supported TV Resolutions	Supported PC Resolutions
CUSB-603	1×HDMI, 1×Component Video/SV/CV	1×Mini-USB	Digital RGB/YUV Analog YUV NTSC/PAL	Data	480i-1080p	-

Wi-Fi to TV Smart Player

CWF-901SP

The CWF-901SP can send video/audio signals from a smart phone, PC or Laptop through Wi-Fi to a TV for use as the primary display. The SmartPlayer is designed as a DLNA DMR (Digital Media Renderer) enabling users to easily send audio, video and pictures from a connected source device to a TV wirelessly. This device can also function as a Wi-Fi Access Point for users to access a wired internet connection with their laptops or mobile devices. Displaying audio, video and pictures through network streaming, the WiFi Smart Player is a simple yet incredibly useful device for sharing content.



- Supports PC to TV and Smart Phone to TV wireless streaming
- Functions as a Wi-Fi access point, connect to a wired Ethernet network to enable wireless internet connectivity
- Designed as a DLNA DMR (Digital Media Renderer) device
- Displays picture, audio, and video content through network streaming
- USB ports for Mouse/Keyboard/HDD/USB Drive
- USB flash disk for firmware upgrade

P/N	Inputs	Outputs	Input Video Formats	Output Video Formats	Supported TV Resolutions	Supported PC Resolutions
CWF-901SP	1×USB Dongle, 1×RJ45	1×HDMI, 2×USB	Data	Digital RGB/YUV	720p/1080p	-

USB to HDMI Converter

CDL-125

This USB to HDMI converter enables you to add an additional monitor to a laptop or desktop through the use of USB 2.0 ports, freeing you from the complicated process of installing VGA cards. With this device, you can extend your display across two screens, letting you to surf the web on one and make a spreadsheet/presentation/ use a word processor on the other. Furthermore, this device has a mirrored mode, allowing you to display the same desktop image on two monitors.



- Connects up to 6 (Windows OS)/4 (Mac OS) displays to one PC through USB 2.0 ports
- Supports HDMI output
- Supported screen resolution between VGA and 1440x900 bits (at 60Hz)
- Completely new architecture to support Vista Aero (32/64bit)
- Powered from the PC through the USB connection

P/N	Inputs	Outputs	Input Video Formats	Output Video Formats	Supported TV Resolutions	Supported PC Resolutions
CDL-125	1×Mini-USB	1×HDMI	Data	Digital RGB/YUV Analog RGB	-	VGA~1440×900

TV System Converter

TV System Converter with Genlock and TBC

CDM-831TR / CDM-831T

- Two sets of video and S-VHS inputs
- One output for each of composite video, S-VHS and Y, B-Y, R-Y
- Input system auto detection
- Digital conversion from input TV signals of
- NTSC 3.58, NTSC 4.43, PAL, PAL M, PAL N, SECAM to output signals of NTSC 3.58, NTSC 4.43, PAL, PAL M, PAL N, SECAM
- Digital comb filter for input system decoding
- Built-in Time Base Correction (T.B.C) function for signal synchronization
- Built-in automatic gain control (A.G.C) function ensures 1 Vp-p output signal (input level can range from 0.5 Vp-p to 2 Vp-p)
- Full digital decoding and encoding; highly integrated digital processing reduces the board size and ensures reliable quality
- A color-bar pattern will automatically appear on the TV screen when there is no video signal present on the input
- TBC is active constantly, even in the bypass mode
- Built-in TBC/Genlock capability for synchronizing multiple asynchronous video sources
- Adjustable control on contrast, brightness, color, tint, sharpness, backcolor, sub-carrier and Horizontal/ Vertical phase of TBC video



• CDM-831TR



• CDM-831T

P/N	Inputs	Outputs	Input Video Formats	Output Video Formats	Supported TV Resolutions	Supported PC Resolutions
CDM-831T CDM-831TR	2xSV, 2xCV	1xSV, 1xComponent Video/CV	NTSC 3.58/NTSC 4.43 PAL/PAL-M/PAL-N SECAM	NTSC 3.58/NTSC 4.43 PAL/PAL-M/PAL-N SECAM	-	-

TV System Converter with Frame SYNC and TBC

CDM-680

- Restores distorted or de-shaped vertical and horizontal sync. and color burst
- Eliminate picture jittering and ensure stable image on screen through Dual-field full-frame reconstruction
- Correct time error of video that normally associated with VCR source
- Adjust Brightness, Color, Tint, Sharpness and Contrast to improve video picture
- A true multisystem Time Base Corrector automatically processes video input of any systems-NTSC, NTSC 4.43, PAL, PAL M, PAL N, SECAM
- Digital comb filter for input Y/C separation offers best output quality
- Built-in automatic gain control (AGC) ensures 1 Vp-p output signal (input level ranges from 0.5 Vp-p to 2 Vp-p)
- Automatically sending out color bar patterns when there is no video signal presents on the input
- Digital conversion from input TV signals of NTSC 3.58, NTSC 4.43, PAL, PAL M, PAL N, SECAM to output signals of NTSC 3.58, NTSC 4.43, PAL, PAL M, PAL N, SECAM
- Ideal for use in rectifying any video errors and abnormal picture



P/N	Inputs	Outputs	Input Video Formats	Output Video Formats	Supported TV Resolutions	Supported PC Resolutions
CDM-680	1xSV, 1xCV	1xSV, 1xCV	NTSC 3.58/NTSC 4.43 PAL/PAL-M/PAL-N SECAM	NTSC 3.58/NTSC 4.43 PAL/PAL-M/PAL-N SECAM	-	-

TV System Converter

CDM-660

- Built-in Color bar
- Input auto detecting
- Digital conversion from input TV signals of NTSC, N4, PAL, PAL M, PAL N, SECAM to output signals of NTSC, PAL
- Digital line (525 625 lines) and field (60 input 50 field) conversion



P/N	Inputs	Outputs	Input Video Formats	Output Video Formats	Supported TV Resolutions	Supported PC Resolutions
CDM-660	1×SV, 1×CV	1×SV, 1×CV	NTSC 3.58/NTSC 4.43 PAL/PAL-M/PAL-N SECAM	NTSC 3.58/PAL	-	-

TV System Converter with TBC

CDM-640AR / CDM-640A

- Convert any video system to any other video systems
- Input video system auto detected
- Digital conversion from input TV signals of NTSC 3.58, NTSC 4.43, PAL, PAL M, PAL N, SECAM to output signals of NTSC 3.58, NTSC 4.43, PAL, PAL M, PAL N
- 8 bit broadcast quality color decoding
- Digital comb filter for input system decoding
- Built-in Time Base Correction(T.B.C.) function for signal synchronization
- Built-in Automatic Gain Control(A.G.C.) function ensures 1 Vp-p output signal (Input level can range from 0.5Vp-p to 2 Vp-p)
- Full digital decoding and encoding; highly integrated digital processing reduces the board size and ensures reliable quality
- A color-bar pattern will automatically appear on TV screen when there is no video signal present on the input
- TBC is active constantly, even in the bypass mode
- Adjustable control on Contrast, Brightness, Color, and Tint



• CDM-640AR



• CDM-640A

P/N	Inputs	Outputs	Input Video Formats	Output Video Formats	Supported TV Resolutions	Supported PC Resolutions
CDM-640A CDM-640AR	1×SV, 1×CV	1×SV, 1×CV	NTSC 3.58/NTSC 4.43 PAL/PAL-M/PAL-N SECAM	NTSC 3.58/NTSC 4.43 PAL/PAL-M/PAL-N	-	-

TV System Converter

CDM-600

- Digital conversion from NTSC, PAL or SECAM input signal to NTSC or PAL output signal
- Automatic detection of input signal
- 525 or 625 scan lines and 50 or 60 field conversion



P/N	Inputs	Outputs	Input Video Formats	Output Video Formats	Supported TV Resolutions	Supported PC Resolutions
CDM-600	1×CV	1×CV	NTSC 3.58/NTSC 4.43 PAL SECAM	NTSC 3.58/PAL	-	-

TV System Converter

CDM-160

The TV System Converter is designed to convert video signal from source of NTSC, N4 PAL, PAL M, PAL N and SECAM systems (automatically detected), to NTSC or PAL signal selectable for the connected display to work properly. It is a convenient device for users to connect source and display of different TV systems, with the on-panel H.pos. adjusters which is easy to fine-tune screen offset caused by display of different type.

- Supports digital conversion from NTSC, N4, PAL, PAL M, PAL N and SECAM to NTSC/PAL
- Converts 525 lines to/from 625 lines
- Converts refresh frequency between 60Hz and 50Hz
- Provides color bar pattern when there is no signal present
- System is capable with 8 Mb field memory



P/N	Inputs	Outputs	Input Video Formats	Output Video Formats	Supported TV Resolutions	Supported PC Resolutions
CDM-160	1xSV, 1xCV	1xSV, 1xCV	NTSC 3.58/NTSC 4.43 PAL/PAL-M/PAL-N SECAM	NTSC 3.58/PAL	-	-

TV System Converter

CDM-150

The TV System Converter can convert video signal of different TV systems to NTSC or PAL signal selectable, for the connected display to work properly. It is a convenient device for users to connect source and display of different TV systems, with the on-panel H.POS. adjusters which is easy to fine-tune screen offset caused by display of different type. The installation is simple, just plug in video cables of input/output and power adapter and then switch between NTSC and PAL to get the preferable result.

- Supports digital conversion from NTSC, N4, PAL, PAL M, PAL N, and SECAM to NTSC/PAL
- Converts 525 lines to/from 625 lines
- Converts refresh frequency between 60Hz and 50Hz
- Provides color bar pattern when there is no signal present

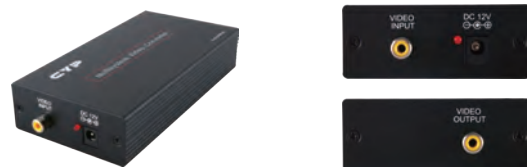


P/N	Inputs	Outputs	Input Video Formats	Output Video Formats	Supported TV Resolutions	Supported PC Resolutions
CDM-150	1xCV	1xCV	NTSC 3.58/NTSC 4.43 PAL/PAL-M/PAL-N SECAM	NTSC 3.58/PAL	-	-

TV System Converter

ADC-660

- Built-in color bar
- Input auto detecting
- Digital conversion from input TV signals of NTSC, N4, PAL, PAL M, PAL N, SECAM to output signals of NTSC, PAL, Digital line (525 625 Lines) and field (60 50 field) conversion
- 6M bit field memory
- Built-in 12V DC to DC inverter, ideal for use in car application



P/N	Inputs	Outputs	Input Video Formats	Output Video Formats	Supported TV Resolutions	Supported PC Resolutions
ADC-660	1xCV	1xCV	NTSC 3.58/NTSC 4.43 PAL/PAL-M/PAL-N SECAM	NTSC 3.58/PAL	-	-

Video Mixer

Digital A/V Effects Mixer

CMX-112 / CMX-12

The CMX-12 is a high-quality Standard and High Definition Digital Audio/Video Mixer. Each input BUS supports up to 6 inputs (2×HDMI, 2×Component (SD/HD), 2×S-Video and Composite video). Effects can be added such as wipes, fades, mixes and special digital effects. The CMX-12 can support HD or SD resolutions (480p, 576p, 720p 50/60, 1080i 50/60), most of the worlds video standards (NTSC, NTSC-4.43, PAL, PAL-M, PAN-N, SECAM) and HDMI, Component, S-Video or Composite Video outputs, it also supports position adjustment and recording.

- Selective size and position for digital effects area and PIP windows
- Automatic fade and wipe with speed preset control
- Digital effects-Still, Mosaic, Paint, Negative
- 96 wipe patterns
- Chroma key & Luminance key
- High Picture Quality
- 3×8 back color
- Joystick control for digital effect position
- Fade control for Video and Audio
- Video and Audio mixing
- 1×HDMI source inputs
- 2×Component, 2×Composite and S-Video source inputs
- 1×HDMI recording, 2×Component recording outputs
- 1×Composite and S-Video recording outputs
- 1×Composite and S-Video preview outputs (OSD)
- Auxiliary audio input
- Microphone input and headphone output
- Picture and Picture control (3 window sizes)
- Each A/B BUS can adjust the Contrast, Brightness, Color, HUE, Detail and Aspect Ratio
- Supports Lip-Sync delay up to 170ms
- Composite supports 3D comb filter and YC separation
- Motion and Edge Adaptive De-interlacing



• CMX-112



• CMX-12

Note: When the selected source input is not connected or has HDCP protection, only a black screen will be displayed.

P/N	Inputs	Outputs	Input Video Formats	Output Video Formats	Supported TV Resolutions	Supported PC Resolutions
CMX-12 CMX-112	2×HDMI, 2×Component Video, 2×SV, 2×CV	1×HDMI, 2×Component Video, 2×SV, 2×CV	Digital RGB/YUV Analog YUV NTSC/PAL	Digital RGB/YUV	480i-1080p	-

Analog A/V Effects Mixer

CMX-07

- Four Video Inputs-2 composite and 2 S-Video
- Digital effects-STILL,STROBE,MOSAIC,PAINT,NEGATIVE
- 96 wipe patterns
- Chroma Key & Luminance Key
- High resolution picture quality
- 8 back colors
- Joystick control for digital effect position
- Fade control for Video and Audio
- Audio and Video mixing
- Picture in picture control (3 window sizes)
- 2 Audio/Video and S-Video source inputs
- 2 Audio/Video and S-Video source outputs
- Auxiliary audio input
- Microphone input and Headphone output



P/N	Inputs	Outputs	Input Video Formats	Output Video Formats	Supported TV Resolutions	Supported PC Resolutions
CMX-07	2×SV, 2×CV	6×SV, 2×CV	NTSC/PAL	NTSC/PAL	480i/576i	-

Other Video Processor

PC/SV/CV Video Overlay Processor

CPT-2370

The CP-2370 is designed to overlay a PC/Graphics signal onto a Video signal or vice versa. It has the added feature of converting a variety of VGA sources to a Video signal. It is ideal for use in applications like video conferencing, home theater, business presentations and lecture hall.

- Superimpose PC text and graphics onto another video signal or superimpose a Video signal onto a VGA source
- Supports VGA to Video conversion:
 - VGA: 640×480, 800×600, 1024×768, 1280×1024, 1600×1200
 - Video: NTSC, NTSC4.43, PAL, PAL-M, PAL-N or SECAM
- Supports PC and Video picture adjustment
- Supports Key adjust and PC aspect
- Supports Zoom and Pan functions
- Supports Vertical and Horizontal Overscan/Underscan control
- Automatically supports frame rate conversion from 56Hz up to 85Hz
- Cross-platform compatibility for PC or Mac



- Plug-and-Play design, no software driver required
- Simultaneous video outputs
- Can be controlled from the front panel, RS-232 or remote handset

Note: This system does not support conversion from one video format to another i.e. NTSC to PAL.

P/N	Inputs	Outputs	Input Video Formats	Output Video Formats	Supported TV Resolutions	Supported PC Resolutions
CPT-2370	1×VGA, 1×SV, 1×CV	1×VGA, 1×SV, 1×CV	Analog RGBNTSC/PAL	Analog RGBNTSC/PAL	NTSC/PAL	VGA-UXGA

Chroma Key Processor

CBK-10

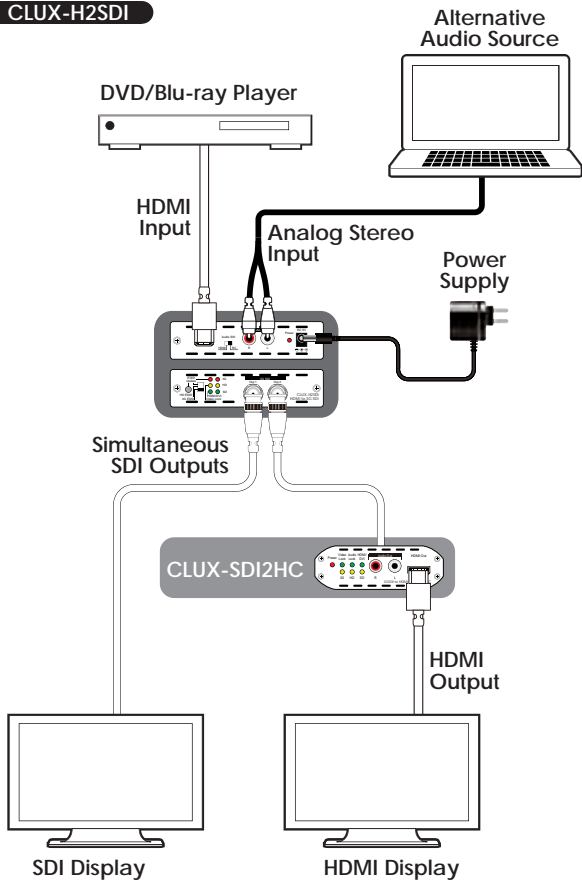
The Chroma Key Processor supports Video or S-Video as the main source and the other Video or S-Video input as the background source. The background sources along with 6 background colors chroma key effects. The main source can stand in front of the background source and using the chroma key to take off the background colors to perform the different color effects. Also, using level adjust knob to control the color effect levels.

- Supports different systems: NTSC 3.58, NTSC 4.43, PAL, PAL-M, PAL-N and SECAM
- Support Key or Luma level:
 - Phase keying: Red, Green and Blue chroma key
 - Luma Keying: Blue, Black and White
- Input sources support: Key source and Background source with Video and Video inputs
- Support adjust knob to control Background color effect levels



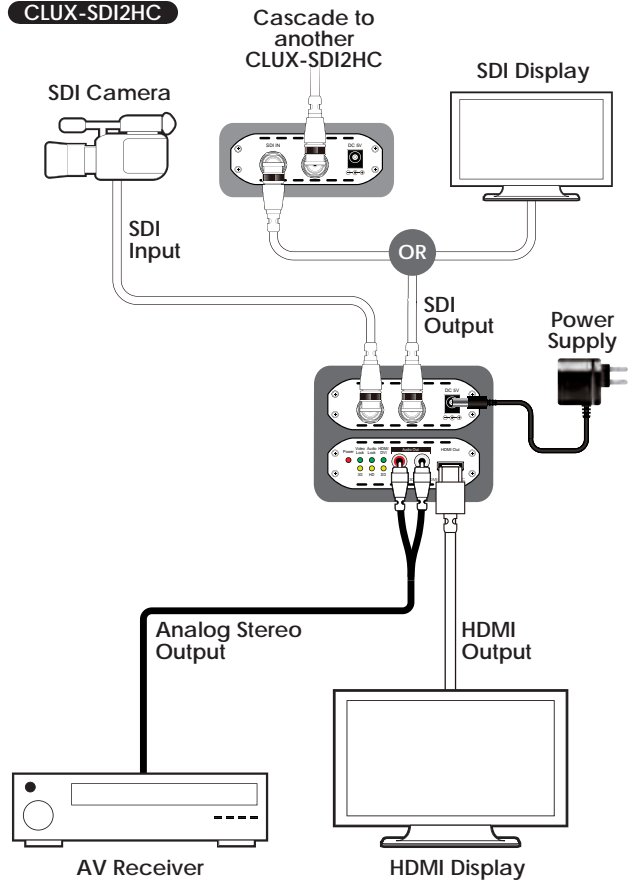
P/N	Inputs	Outputs	Input Video Formats	Output Video Formats	Supported TV Resolutions	Supported PC Resolutions
CBK-10	2×SV, 2×CV	2×SV, 2×CV	NTSC/PAL	NTSC/PAL	NTSC/PAL	-

CLUX-H2SDI



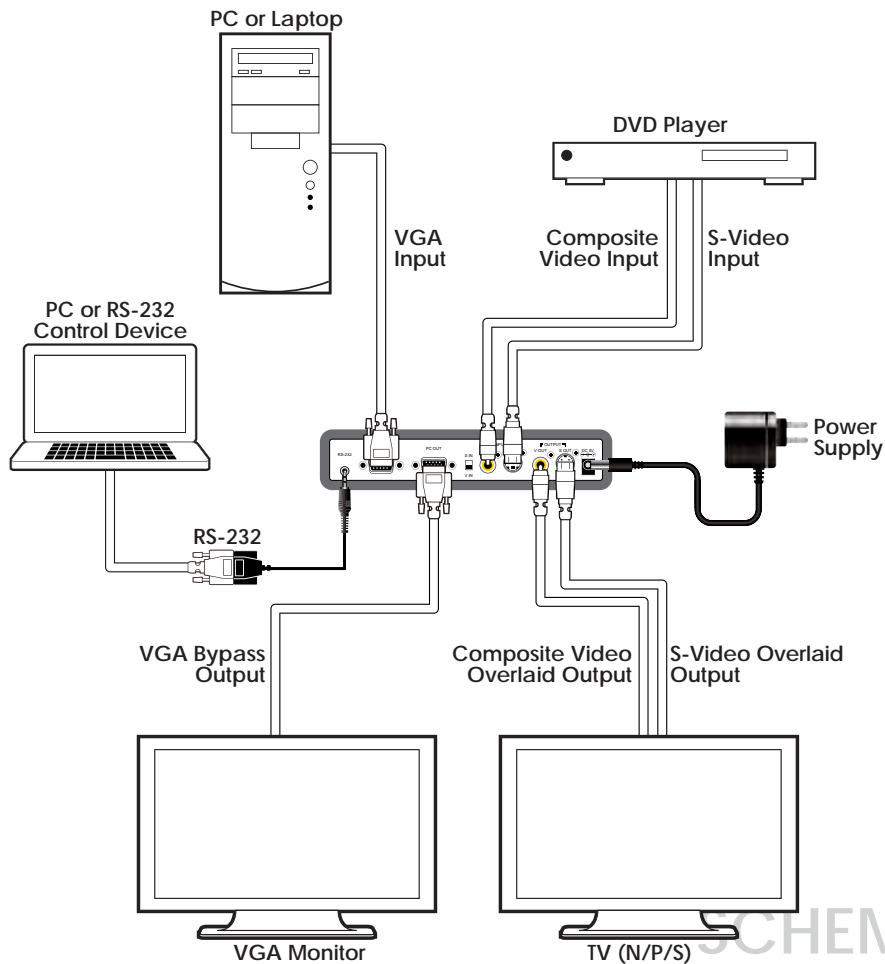
SCHEMATIC

CLUX-SDI2HC



SCHEMATIC

CPT-2370



SCHEMATIC

Digital Audio Decoder

Universal Digital/Analog Audio Decoder

DCT-9DD

The Universal Digital/Analog Audio Converter with Dolby Digital® and DTS® Digital Surround Decoder can convert among Optical, Coaxial and analog audio signals. With the ability to convert digital signals into analog and analog signals into digital, this device supports the simultaneous conversion of audio formats so when converting Optical into analog audio you can also convert it into Coaxial. Therefore, if you find yourself limited by multiple audio formats the Universal Digital/Analog Audio Converter with Dolby Digital and DTS Digital Surround Decoder is the perfect choice.



- Dolby Digital decoder technology embedded
- DTS Digital Surround Decoder technology embedded
- Integrated digital interpolator filter and Digital-to-Analog Converter (DAC)
- Integrated Analog-to-Digital Converter (ADC)
- Supports LPCM input sampling rates from 32 to 96 kHz
- Output sampling rates is adjusted to 48 kHz
- Supports Dolby Digital audio downmixing to 2CH audio
- Supports Dolby Digital sampling rate 48kHz
- Provides electromagnetic-noise-free transmission
- Easy to install and operate
- Compact and elegant design



P/N	Inputs	Outputs	Input Audio Formats	Output Audio Formats	Input Sampling Rates (kHz)	Output Sampling Rates (kHz)
DCT-9DD	1×COAX, 1×TOSLINK, 2×RCA	1×COAX, 1×TOSLINK, 2×RCA	Compressed 2-5.1CH LPCM 2CH Analog 2CH	LPCM 2CH Analog 2CH	32-96	48

Coaxial to Analog Audio Decoder

DCT-1DD

The Coaxial to Analog Audio Converter (DAC) with Dolby® Digital and DTS® Decoder provides the ideal solution for converting an coaxial digital audio signal to analog stereo audio. With audio sampling rate support up to 48 kHz (Dolby Digital)/96 kHz (LPCM) and I/O data rate support up to 24-bit, it provides high quality sound conversion. The Dolby Digital and DTS Digital Surround Decoder function guarantees that Dolby and DTS digital audio signals are downmixed to analog stereo without loss of quality.



- Supports coaxial digital audio signal input and conversion into analog audio signal L/R output
- Supports uncompressed digital LPCM stereo or Dolby Digital 5.1CH or DTS Digital Surround 5.1CH audio inputs
- Supports LPCM 2CH audio sampling rates from 32 to 96 kHz (32, 44.1, 48, 88.2 and 96 kHz)
- Supports Dolby Digital and DTS Digital Surround 5.1CH audio sampling rates of 48 kHz
- Supports Dolby Digital and DTS Digital Surround audio downmixing to 2-channel audio
- Supports S/PDIF bitstream 24-bit of data for the left and right channels



P/N	Inputs	Outputs	Input Audio Formats	Output Audio Formats	Input Sampling Rates (kHz)	Output Sampling Rates (kHz)
DCT-1DD	1×COAX	2×RCA	Compressed 2-5.1CH LPCM 2CH	Analog 2CH	32-96	-

Universal Digital/Analog Audio Converter with Dolby Digital Decoder

DCT-9DN

The Universal Digital/Analog Audio Converter with Dolby Digital decoder is designed to convert audio between Optical, Coaxial and analog audio formats. With the ability to convert digital signals into analog and analog signals into digital, this device supports the simultaneous conversion of audio formats allowing you to choose between optical, coaxial or analog or all three at the same time. The Universal Digital/Analog Audio Converter with Dolby Digital decoder is the perfect choice when you need to deal with multiple audio formats.



- Dolby Digital decoder technology embedded
- Integrated digital interpolator filter and Digital-to-Analog Converter (DAC)
- Integrated Analog-to-Digital Converter (ADC)
- Supports LPCM input sampling rates from 32 to 96 kHz
- Output sampling rates is adjusted to 48 kHz
- Supports Dolby Digital audio downmixing to 2CH audio
- Supports Dolby Digital sampling rate 48kHz
- Provides electromagnetic-noise-free transmission
- Easy to install and operate
- Compact and elegant design



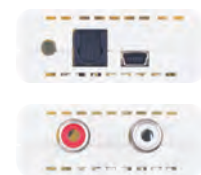
P/N	Inputs	Outputs	Input Audio Formats	Output Audio Formats	Input Sampling Rates (kHz)	Output Sampling Rates (kHz)
DCT-9DN	1×COAX, 1×TOSLINK, 2×RCA	1×COAX, 1×TOSLINK, 2×RCA	Compressed 2-5.1CH LPCM 2CH Analog 2CH	LPCM 2CH Analog 2CH	32-96	48

Optical to Analog Audio Converter with Dolby Digital Decoder

DCT-1D

The DCT-1D provides the ideal solution for converting an optical digital audio signal to analog stereo audio. With audio sampling rate support up to 48 kHz (Dolby Digital) or 96 kHz (LPCM) and input data rate support up to 24-bit, it provides high quality sound conversion.

The Dolby Digital Decoder function guarantees that Dolby Digital audio signals are downmixed to analog stereo without loss of quality. This unit is perfect for use in digital recording systems, computer audio systems or digital mixing consoles and can be powered from any spare USB port allowing it to be used with USB equipped HDTVs, Blu-ray players or computers without the need for a separate power supply.



- Supports optical digital audio signal input and conversion into analog stereo audio output
- Supports uncompressed digital LPCM stereo or Dolby Digital 5.1CH audio inputs
- Supports LPCM 2CH audio sampling rates from 32 to 96 kHz (32, 44.1, 48, 88.2 and 96 kHz)
- Supports Dolby Digital 5.1CH audio sampling rates of 48 kHz
- Supports Dolby Digital audio downmixing to 2CH audio
- Supports S/PDIF bitstream 24-bit of data for the left and right channels

P/N	Inputs	Outputs	Input Audio Formats	Output Audio Formats	Input Sampling Rates (kHz)	Output Sampling Rates (kHz)
DCT-1D	1×TOSLINK	2×RCA	Compressed 2-5.1CH LPCM 2CH	Analog 2CH	32-96	-

Audio Amplifier

Integrated Zone Amplifier with HDBaseT Support

DCT-23HD



The Integrated Zone Amplifier is a compact 2 channel digital receiver that is perfect for integrating local sources and remote HDBaseT™ inputs. It features multiple audio and video input and output options including HDMI, HDBaseT, Digital and Analog Audio inputs and HDMI, HDBaseT and speaker level outputs and includes Analog to Digital and Digital to Analog conversion (DAC/ADC) and supports audio sampling rates up to 24-bit/96kHz and sound amplification 30W per channel.

The system also supports HDBaseT features which include the transmission of High-definition Video and Audio, bi-directional IR control, RS-232 pass-through, Power over Ethernet (PoE) and LAN serving to compatible HDBaseT receivers over a single industry standard CAT5e/6/7 cable (for each output) up to 100 meters and can be used to create an additional HDBaseT zone or to repeat the signal to another HDBaseT Integrated Zone Amplifier.



- Supports Digital to Analog audio Conversion (DAC) and Analog to Digital audio Conversion (ADC)
- Supports input sampling rate up to 96kHz and LPCM 5.1CH
- 30W per channel digital stereo Amplifier
- Simultaneous audio output on both digital and analog outputs

- Supports HDTV resolutions up to 4K2K (3840x2160@24/25/30 Hz and 4096x2160@30Hz)
- Supports distances up to 100 meters through CAT5e/6/7 cables
- Full 5Play™ convergence: Video, Audio, LAN serving, Power over Ethernet (PoE) and Control (IR & RS-232 bypass)
- Supports control via RS-232, IR remote control, on-panel buttons and IP Control (Telnet & Web GUI)

P/N	Inputs	Outputs	Input Audio Formats	Output Audio Formats	Input Sampling Rates (kHz)	Output Sampling Rates (kHz)
DCT-23HD	1xHDMI, 1xCAT5e/6/7, 1xCOAX, 1xTOSLINK, 1x3.5mm Jack, 2xRCA,	1xHDMI, 1xCAT5e/6/7, 1xSpeaker Jack	Compressed 2-5.1CH LPCM 2CH Analog 2CH	Compressed (Bypass) LPCM (Bypass) Analog 2CH	32-192	32-96

Integrated Zone Amplifier

DCT-23

The DCT-23 accepts analog and digital stereo audio signals via RCA, 3.5mm mini-jack, optical and coaxial digital, and HDMI with an additional microphone input. As well as speaker outputs, it boasts line level output, optical and digital outputs, and HDMI outputs for wider systems integration. Suitable for use at musical events, sound presentation and sound amplification. With audio sampling rate support up to 48 kHz and I/O data rate support up to 24-bit, it provides a high quality sound reproduction.



- 30 watts per channel Digital Stereo Amplifier
- Supports Digital to Analog audio Conversion (DAC) and Analog to Digital audio Conversion (ADC)
- HDMI Audio Embedding and de-embedding
- Supports input sampling rates up to 96kHz and output at 48kHz
- Dedicated XLR microphone input with independent volume control
- Supports microphone sound being embedded into audio output
- Simultaneous output of sound on both digital and analog

- Supports control via IR (Remote and IR Receiver input), RS-232 or IP (Telnet)
- Analog line output selectable to be either fixed or variable output level

Note: Does not support the decoding of Dolby Digital signals

P/N	Inputs	Outputs	Input Audio Formats	Output Audio Formats	Input Sampling Rates (kHz)	Output Sampling Rates (kHz)
DCT-23	2xHDMI, 1xCOAX, 1xTOSLINK, 1x3.5mm Jack, 2xRCA, 1xMIC	1xHDMI, 1xCOAX, 1xTOSLINK, 2xRCA	Compressed 2-5.1CH LPCM 2CH Analog 2CH	Compressed (Bypass) LPCM (Bypass) Analog 2CH	32-192	32-192

Multi-Channel AV Amplifier

CPRO-AVR1

The traditionally bulk and large amplifier is transforming into a new era with the newly formed light and full functions design. Instead of taking over a size of small TV's space this new amplifier only needs the space of a lunch box. Also, the installation & operation steps are becoming much user friendly with the OSD and remote control. The multichannel AV amplifier is made with high efficiency design and is compliant with HDMI 1.4's specification of ARC function and supports 3D display, these allows users to enjoy high quality true sound with no delay and real 3D display with true colors.



- Audio Return Channel (ARC)
- Deep Color support 36/30/24-bit, 1080p@60Hz
- Built-in HDMI EDID simulator and HDCP keyset allows each output to work independently in connecting to a HDMI display
- Support CEC bypass and HDCP repeater
- HDMI output with xvYCC to RGB color space design
- HDMI 1.4 compatible audio interface
- Dedicated, flexible audio input/output port
- Full audio input and output support
- Audio sampling rate up to 192 kHz
- PCM 2.0, 5.1 & 7.1 and Dolby Digital 2.0 & 5.1, Dolby Pro Logic II (Optional)

- Supports different audio sound mode (Jazz/music/ Speech/Concert/Movie)
- Supports Speaker Setting (Speaker Size, Speaker Level +/- 10dB, Speaker Distance 0~10M)
- Elegant compact design and streamline shape, excellent performance and decoration
- Supports thermal dispensation
- User friendly and user operating OSD menu overlay with TV and big size Graphic LCD display

P/N	Inputs	Outputs	Input Audio Formats	Output Audio Formats	Input Sampling Rates (kHz)	Output Sampling Rates (kHz)
CPRO-AVR1	4×HDMI, 1×COAX, 8×RCA	1×HDMI, 7×Speaker Spring Clip, 1×SUB Out	Compressed 2-5.1CH LPCM 2-7.1CH Analog 2-7.1CH	Compressed (Bypass) LPCM (Bypass) Analog (Bypass)	HDMI: 32-192 COAX: 32-96	32-192

Audio Format Converter

USB to Analog Audio Center

DCT-24

The USB Audio Center allows multiple audio sources to be controlled, switched and outputted to a variety of audio equipment. With 3 audio inputs (USB, Line-level RCA and 3.5mm mini-jack) and 2 audio outputs (Line-level RCA and 6.3mm headphone output) you can integrate and convert USB or analog stereo audio sources to Line-level output and 6.3mm headphone simultaneously.



- Supports Digital to Analog audio Conversion (DAC)
- Supports USB sampling rate up to 192 kHz
- Simultaneous output on both Line out and 6.3mm headphone output
- Supports RS-232 control
- Total Harmonic Distortion (THD): Less than 100 dB (-20 dBFs)
- Volume control of analog and headphone outputs
- Direct power ON/OFF and mute button on unit
- Headphone output fades in after system is muted
- 6.3 mm headphone output (3.5 mm mini-jack adaptor supplied)
- Compact design and easy to use

P/N	Inputs	Outputs	Input Audio Formats	Output Audio Formats	Input Sampling Rates (kHz)	Output Sampling Rates (kHz)
DCT-24	1×3.5mm Jack, 2×RCA, 1×USB	1×6.3mm Jack, 2×RCA	LPCM 2CH Analog 2CH	Analog 2CH	32-192	-

High-Definition Audio Center

DCT-21

The HD Audio Center is designed to allow multiple audio sources to be controlled, switched and output to a variety of audio equipment. With its 6 audio inputs (including an HDMI input) and 6 audio outputs (including a 6.3mm headphone output) you can integrate and convert any digital or analog audio source to any type of amplifier or active speakers.

This device has an built-in sampling rate converter which can upscale audio signals between 44.1 kHz to 192 kHz (24-bit). With HDMI connectivity, it allows the user to embed or de-embed audio within the HDMI signal path.

For professionals, the Ti TPA6120A2 headphone amplifier, XLR (Low-noise Professional Balanced output) and 6.3mm headphone jack (3.5 mini-jack adaptor supplied) offer unparalleled audio quality. With a highly accurate PLL and low jitter reduction clock system, and with an OLED display and IR remote for controlling the device the HD Audio Center is an incredibly useful tool for getting the most out of your audio devices.



Main

- 6 Input, 6 Output HD Audio Center
- 4 Digital Inputs, 2 Analog Inputs
- 3 Digital Outputs, 2 Analog Outputs and Headphone Output
- Full system control from IR remote or main control dial via OLED display

Digital

- HDMI, USB, Optical and Coaxial digital audio inputs support LPCM stereo
- HDMI input supports LPCM stereo in all modes but can pass surround sound signal whilst in bypass mode
- All digital inputs support 192kHz sampling rate at up to 24-bit resolution
- HDMI, Optical and Coaxial digital outputs
- All digital inputs can be SRC (Sample Rate Conversion) to 44.1, 48, 88.2, 96, 176.4 and 192 kHz via DSP Engine (Digital Signal Processing)
- Highly accurate PLL and low jitter reduction clock system
- HDMI Audio output (video is always bypassed to HDMI output) can either output the incoming HDMI (HDMI Bypass Mode) or embed the selected audio signal (HDMI Input Mode)

Analog

- Built-in Ti TPA6120A2 high quality headphone amplifier output
- Professional XLR balanced stereo output
- RCA analog stereo output
- RCA analog stereo input
- Mini-jack (3.5mm) stereo input
- Total Harmonic Distortion (THD): Less than 100dB (-20dBFS)
- Analog inputs provide digital output sampling rates up to 192 kHz

Misc

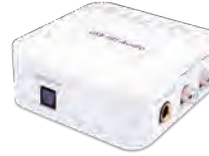
- IR Remote with direct source, power and mute buttons
- HDMI audio embedding or de-embedding
- Volume control of analog and headphone outputs or just headphone output via remote or main control dial
- Direct power and mute button on unit
- High viewing angle OLED display
- Headphone output fades in after system is muted
- 6.3mm headphone output (3.5mm mini-jack adaptor supplied)

P/N	Inputs	Outputs	Input Audio Formats	Output Audio Formats	Input Sampling Rates (kHz)	Output Sampling Rates (kHz)
DCT-21	1×HDMI, 1×USB, 1×COAX, 1×TOSLINK, 2×RCA, 1×Aux	1×HDMI, 1×COAX, 1×TOSLINK, 2×RCA, 1×XLR, 1×6.3mm Jack	Compressed 2-5.1CH LPCM 2CH Analog 2CH	Compressed (Bypass) LPCM (Bypass) Analog 2CH	32-192	32-192

USB to Optical/RCA/Headphone Converter

DCT-16

The USB to Optical/RCA/Headphone Audio Converter is compliant with USB audio 2.0 and is able to accept high resolution digital/analog audio up to 192K and a high bit rate of 24-bits. This device allows PC audio signals to be output to an amplifier or active speakers for users to enjoy the original true sound. Furthermore the professional headphone output that accepts 6.3mm Headphone jacks will please professionals who need a more refined audio experience. The USB High End Audio Converter is an excellent tool for your PC audio entertainment.



- Sampling rate support 44.1, 48, 88.2, 96, and 192 kHz
- Supports 16/24-bit
- Supports Windows and MAC OS
- USB power supply
- Simultaneous output audio signal to the Optical, L/R and headphone formats
- ASIO driver and USB asynchronous mode support

P/N	Inputs	Outputs	Input Audio Formats	Output Audio Formats	Input Sampling Rates (kHz)	Output Sampling Rates (kHz)
DCT-16	1×Mini-USB	1×TOSLINK, 2×RCA, 1×6.3mm Jack	LPCM 2CH	LPCM 2CH, Analog 2CH	44.1-192	44.1-192

USB/Optical to Optical/RCA Analog Audio Converter

DCT-15

The USB Audio Converter with Optical will convert a digital audio signal to analog whilst simultaneously outputting a digital audio signal. It has USB and Optical inputs and is designed to be powered by the USB connection. This optical output can also be linked to an amplifier or sound system that has an Optical S/PDIF input, whilst the analog output can be connected to a display or to an active speaker system to simultaneously output stereo audio.



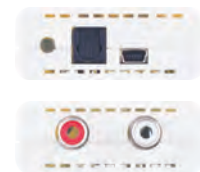
- USB 2.0 compatible
- USB audio device class specification v1.0 compatible
- USB High performance 16-bit Stereo, 48/44.1 kHz sampling rate for audio playback
- Optical sampling rate supports up to 192 kHz/24-bit

P/N	Inputs	Outputs	Input Audio Formats	Output Audio Formats	Input Sampling Rates (kHz)	Output Sampling Rates (kHz)
DCT-15	1×Mini-USB, 1×TOSLINK	2×RCA	LPCM 2CH	Analog 2CH	USB: 44.1, 48 TOSLINK: 32-192	-

Optical Digital to Analog Audio Converter

DCT-1

The Optical to Analog Audio Converter (DAC) provides the ideal solution for converting an Optical digital audio signal to analog stereo audio. With support for audio sampling rates up to 192 kHz/24-bit, it provides high quality sound conversion. This unit is perfect for use in, computer audio systems or digital mixing consoles and can be powered from any spare USB port allowing it to be used with USB equipped HDTVs, Blu-ray players or computers without the need for a separate power supply.



- Supports optical digital audio signal input and conversion into analog stereo audio output
- Supports uncompressed digital LPCM stereo audio input
- Supports LPCM 2CH audio sampling rates up to 192 kHz
- Supports S/PDIF bitstream 24-bit of data for the left and right channels

P/N	Inputs	Outputs	Input Audio Formats	Output Audio Formats	Input Sampling Rates (kHz)	Output Sampling Rates (kHz)
DCT-1	1×TOSLINK	2×RCA	LPCM 2CH	Analog 2CH	32-192	-

2-Way Digital Audio Converter/ Repeater

DCT-2



The DCT-2 can convert between Coaxial and Optical digital audio formats. It accepts a stereo or surround audio signal through either Coaxial cable or Optical cable, and passes the unchanged signal to both its Coaxial and Optical outputs. With its built-in signal enhancement feature, the unit also serves as a repeater of digital audio signals to extend up to double the transmission distance.

- Supports input audio signal from 2 channels up to 5.1 channels, output signal follows input
- Supports amplification of S/PDIF audio and extends the transferring distance
- Select one input from Coaxial or TosLink input ports, and send S/PDIF audio signal to both Coaxial and TosLink output ports simultaneously

Digital to Headphone Audio Converter

DCT-3HP



The DCT-3HP is an easy to use device that converts and amplifies (200 mW Cap-Less) Coaxial or Optical digital audio into analogue headphone audio. This device can switch between Coaxial or Optical sources and also has a convenient volume control.

- Supports up to 192 kHz/24-bit digital audio input (Coaxial/Optical) Supports 2 channel PCM from Coaxial/Optical input
- Built-in 200 mW Cap-Less Headphone amp

Digital to Analog Audio Converter

DCT-3



The DCT-3 is an easy way to convert coaxial or optical digital audio signals into analog stereo audio. Accepting digital audio signals from either coaxial or optical source devices, the unit can be switched to determine which digital input signal is active and to be converted into an analog stereo audio signal.

- Supports stereo digital audio input (coaxial/optical) and analog audio output (L/R)
- Integrated digital interpolator filter and Digital to Analog Converter (DAC)
- Supports uncompressed 2-Channel LPCM stereo digital audio input
- Supports S/PDIF 24-bit of data for the left and right channels at up to 96 kHz

DCT-3A



The DCT-3A is an easy to use product that converts Coaxial or Optical audio signals into analog Stereo (R/L) audio. It can be easily switched between either Coaxial or Optical inputs. With its compact, elegant design and simple LED input status make it easier for users to connect up and use instantly.

- Supports digital audio input (Coaxial/Optical) and stereo analog audio output (R/L)
- Integrated digital interpolator filter and Digital to Analog Converter (DAC)
- Supports uncompressed digital stereo audio input
- Supports S/PDIF 192 kHz at 24-bit data for conversion to left and right analog channels

P/N	Inputs	Outputs	Input Audio Formats	Output Audio Formats	Input Sampling Rates (kHz)	Output Sampling Rates (kHz)
DCT-2	1×COAX, 1×TOSLINK	1×COAX, 1×TOSLINK	Compressed 2-5.1CH LPCM 2CH	Compressed (Bypass) LPCM (Bypass)	32-96	32-96
DCT-3	1×COAX, 1×TOSLINK	2×RCA	LPCM 2CH	Analog 2CH	32-96	-
DCT-3A	1×COAX, 1×TOSLINK	2×RCA	LPCM 2CH	Analog 2CH	32-192	-
DCT-3HP	1×COAX, 1×TOSLINK	1×3.5mm Jack	LPCM 2CH	Analog 2CH	32-192	-

Analog to Coaxial/Optical Digital Audio Converter

DCT-4



The DCT-4 is designed to convert analog stereo audio to Coaxial and TOSLINK Optical digital outputs. The digital output is 2 channels uncompressed LPCM with a sampling rate of 48 kHz. Both Optical and Coaxial cables connected to the output ports of the unit can run up to 5 meters while still providing a reliable and lossless audio signal transmission. The unit is both compact and easy to install, which makes it a very handy device, perfect for converting audio signals in the home or workplace.

- Supports uncompressed output of 2 channels LPCM digital audio signals
- Supports an output sampling rate of 48 kHz
- Provides electromagnetic-noise-free transmission

DCT-4T



The DCT-4T is designed to simultaneously convert analog audio signals to Coaxial S/PDIF and TosLink Optical with the added benefit of a switchable audio delay of 150 milliseconds. The digital audio output signal is 2-channel uncompressed LPCM with a sampling rate of 48 kHz. The unit supports Optical Fiber and Coaxial cable runs of up to 5 meters from the device while still providing a reliable and lossless audio signal. Compact and easy to install, making it incredibly versatile for the home or office use. The unit is the logical choice for Analog to Digital audio conversion.

- Switchable audio delay function provides a 150 millisecond delay when outputting audio
- Supports uncompressed 2-channel LPCM (Linear Pulse Code Modulation) digital audio output
- Supports an output sampling rate of 48 kHz
- Provides electromagnetic noise-free transmission

P/N	Inputs	Outputs	Input Audio Formats	Output Audio Formats	Input Sampling Rates (kHz)	Output Sampling Rates (kHz)
DCT-4	2×RCA	1×COAX, 1×TOSLINK	Analog 2CH	LPCM 2CH	-	48
DCT-4T	2×RCA	1×COAX, 1×TOSLINK	Analog 2CH	LPCM 2CH	-	48

Digital/Analog Audio Converter

DCT-9

The Universal Digital/Analog Audio Converter allows users to convert Optical, Coaxial and Analog audio signals. The unit can convert between analog and digital formats and vice versa and can output simultaneously to all outputs (depending on the audio format) allowing it to act as an audio distributor.

- Integrated digital interpolator filter and Digital-to-Analog Converter (DAC)
- Integrated Analog-to-Digital Converter (ADC)
- Supports sampling rates of 32, 44.1, 48 or 96 kHz
- Provides electromagnetic-noise-free transmission
- Easy to install and operate
- Compact and elegant design



P/N	Inputs	Outputs	Input Audio Formats	Output Audio Formats	Input Sampling Rates (kHz)	Output Sampling Rates (kHz)
DCT-9	1×COAX, 1×TOSLINK, 2×RCA	1×COAX, 1×TOSLINK, 2×RCA	Compressed 2-5.1CH LPCM 2CH Analog 2CH	Compressed (Bypass) LPCM 2CH Analog 2CH	32, 44.1, 48, 96	32, 44.1, 48, 96

Audio Inserter and Extractor

HDMI Audio Inserter with 4K UHD

CPRO-11SI

The CPRO-11SI allows an external audio signal to be inserted into your HDMI or DVI (with an HDMI to DVI adaptor) signal path. The unit allows you to insert analog stereo or multi-channel surround sound (via the digital optical input) giving you the flexibility to add your choice of audio to the video while extending your HDMI signal. It also has the added benefit of 4K2K and 3D support, allowing full resolution video and eliminating the need to downscale the image.



- Compliant with HDMI, HDCP 1.2 and DVI 1.0
- Supports 4K2K resolution and 3D signals
- HDMI supports high-bit-rate (HBR) audio
- Supports HDMI audio sampling rates up to 192kHz
- Supports Optical S/PDIF audio sampling rates up to 192kHz
- Supports selection of original HDMI audio or embedding of external digital or analog audio into HDMI signal

- Supports maximum input and output HDMI cable lengths of up to 15 meters each at 1080p/8-bit resolution or 10 meters each at 1080p/12-bit resolution
- Supports CEC bypass
- Supports DVI conversion with HDMI to DVI adaptor

HDMI Audio Extractor with 4K UHD

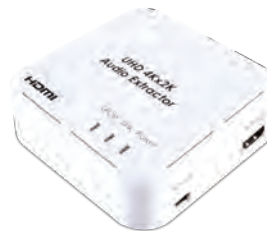
CPRO-11SE8



The CPRO-11SE8 allows you to de-embed the audio signal from an HDMI source and output it. With this Audio Extractor you can take your original HDMI audio signal and convert it to digital optical or multichannel audio, allowing you to output your audio signal to an external multichannel audio system or to extend your audio signal pathway. It also has the added benefit of 4K2K and 3D support, allowing full resolution video and eliminating the need to downscale the image.

- Compliant with HDMI, HDCP 1.2 and DVI 1.0
- Supports HDMI audio sampling rates up to 192 kHz
- Supports Optical (S/PDIF) digital audio sampling rates up to 192kHz
- HDMI supports high-bit-rate (HBR) audio
- No HDMI output connection is required for analog or optical audio output
- Supports 4 mini-jack sockets for analog multichannel audio output
- Supports built-in audio EDID switching between LPCM 7.1CH, TV (external) EDID or Bitstream audio
- Supports CEC bypass function
- Supports 4K2K resolution and 3D signals

CPRO-11SE2



The CPRO-11SE2 allows you to de-embed the audio signal from an HDMI source. With this Audio Extractor you can take your original HDMI audio signal and convert it to digital optical or analog stereo (L/R) audio, allowing you to output your audio signal to an external audio system or to extend your audio signal pathway. It also has the added benefit of 4K2K and 3D support, allowing full resolution video and eliminating the need to downscale the image.

- Compliant with HDMI, HDCP 1.2 and DVI 1.0
- Supports HDMI audio sampling rates up to 192 kHz
- Supports Optical (S/PDIF) digital audio sampling rates up to 192kHz
- HDMI supports high-bit-rate (HBR) audio
- No HDMI output connection is required for analog or optical audio output
- Supports analog stereo (L/R) and Optical digital audio (S/PDIF) outputs
- Supports built-in audio EDID switching between LPCM 2CH, TV (external) EDID or Bitstream audio
- Supports 4K2K resolution and 3D signals

P/N	Inputs	Outputs	Input Audio Formats	Output Audio Formats	Input Sampling Rates (kHz)	Output Sampling Rates (kHz)
CPRO-11SI	1×HDMI, 1×TOSLINK, 1×3.5mm Jack	1×HDMI	Compressed 2-7.1CH LPCM 2-7.1CH Analog 2CH	Compressed (Bypass) LPCM (Bypass) Analog 2CH	32-192	32-192
CPRO-11SE2	1×HDMI	1×HDMI, 1×TOSLINK, 1×3.5mm Jack	Compressed 2-7.1CH LPCM 2-7.1CH	Compressed (Bypass) LPCM (Bypass) Analog 2CH	32-192	32-192
CPRO-11SE8	1×HDMI	1×HDMI, 1×TOSLINK, 4×3.5mm Jack	Compressed 2-7.1CH LPCM 2-7.1CH	Compressed (Bypass) LPCM (Bypass) Analog 8CH	32-192	32-192

HDMI Audio Inserter

CLUX-11CA



The CLUX-11CA is a device that lets you insert an external audio signal into your HDMI/DVI source. The device allows you to insert stereo and multi-channel surround sound signals to give users the capability to select their favorite audio formats while extending your audio signal, then the HDMI Audio Inserter is the perfect choice.

- Supports HDMI Sample Rates up to 192kHz
- Supports Optical Sample Rate up to 48kHz
- Supports TMDS clock frequency rate 225MHz
- Supports high-bit-rate (HBR) audio
- HDMI cable distance test with 1080p 8/12-bit resolution, the input & output can run up to 10 meters
- Supports 3D signal

HDMI Audio Extractor

CLUX-11CD



The CLUX-11CD allows you to extract audio signals from your HDMI source. When connecting to a TV or display you don't always get the best audio, or in the case of a PC monitor, no audio at all. So with this Audio Extractor you can take your original HDMI audio signal and convert it to digital optical or analog Stereo (L/R) audio. This means that you can output your audio signal to external speakers or extend your audio signal pathway.

- Supports HDMI sampling rates up to 192kHz
- Supports Optical sampling rates up to 48kHz
- Supports TMDS clock frequency rate 225MHz
- Supports high-bit-rate (HBR) audio
- No HDMI output connection is required to receive audio at the analog and optical outputs
- Supports built-in audio EDID switching among LPCM 2CH, TV (external) EDID and Bitstream audio
- Supports 3D signal

P/N	Inputs	Outputs	Input Audio Formats	Output Audio Formats	Input Sampling Rates (kHz)	Output Sampling Rates (kHz)
CLUX-11CA	1×HDMI, 1×TOSLINK, 2×RCA	1×HDMI	Compressed 2-7.1CH LPCM 2-7.1CH Analog 2CH	Compressed (Bypass) LPCM (Bypass) Analog 2CH	HDMI: 32-192 TOSLINK: 32-48	32-192
CLUX-11CD	1×HDMI	1×HDMI, 1×TOSLINK, 2×RCA	Compressed 2-7.1CH LPCM 2-7.1CH	Compressed (Bypass) LPCM (Bypass) Analog 2CH	32-192	HDMI: 32-192 TOSLINK: 32-48

Audio Splitter and Switcher

4×10 Coaxial and Optical Digital Audio Switching Splitter

DCT-31

This Coaxial and Optical Switching Splitter allows the switching and distribution of 8 digital audio inputs (4 coaxial and 4 optical) to 20 digital audio outputs (10 coaxial and 10 optical). It supports sampling rates up to 192kHz and formats up to 5.1 multi-channel audio. This easy to use device can provide high quality audio expansion and distribution ideal for any installation.

- Supports 4 Coaxial and 4 Optical (S/PDIF) digital audio inputs
- Supports 10 Coaxial and 10 Optical (S/PDIF) digital audio outputs
- Supports LPCM 2CH audio signal
- Supports sampling rates up to 192kHz



- Supports pass-through of 2-5.1CH Dolby Digital and DTS audio signals

P/N	Inputs	Outputs	Input Audio Formats	Output Audio Formats	Input Sampling Rates (kHz)	Output Sampling Rates (kHz)
DCT-31	4×COAX, 4×TOSLINK	10×COAX, 10×TOSLINK	Compressed 2-5.1CH LPCM 2CH	Compressed (Bypass) LPCM (Bypass)	32-192	32-192

1×4 Optical Digital Audio Splitter

DCT-28



The DCT-28 can split and distribute a single optical digital audio input to up to four simultaneous optical digital outputs, allowing users to share one optical source to up to four optical sound systems. It's a simple and easy to use tool for distributing a single optical signal to multiple areas or devices.

- Supports one optical input and four optical outputs
- Supports LPCM 2CH audio signal and sampling rates up to 192 kHz
- Supports Dolby Digital and DTS 2/5.1CH audio signals bypass
- Supports S/PDIF sampling rates of 32 kHz to 192 kHz
- Low power consumption

4×1 Optical Digital Audio Switcher

DCT-17



The DCT-17 is a device with four optical inputs and one optical output. This device allows users with multiple optical sources to connect for one output display while all signals can bypass without delay. The device has a built in last memory function and IR remote control which provides a more users friendly operating experience.

- Optical sampling rate supports up to 192 kHz
- Low power consumption
- Up to 24 bit resolution

P/N	Inputs	Outputs	Input Audio Formats	Output Audio Formats	Input Sampling Rates (kHz)	Output Sampling Rates (kHz)
DCT-28	1×TOSLINK	4×TOSLINK	Compressed 2-5.1CH LPCM 2CH	Compressed (Bypass) LPCM (Bypass)	32-192	32-192
DCT-17	4×TOSLINK	1×TOSLINK	Compressed 2-5.1CH LPCM 2CH	Compressed (Bypass) LPCM (Bypass)	32-192	32-192

1×2 Optical Digital Audio Splitter

DT-12



The DT-12 can split a single optical digital input to two outputs to lengths of up to 5m, using TOSLink optical cables, reliably and without loss of quality. It is designed to be compact, easy to install and use making it ideal for home or professional audio distribution.

- Supports the S/PDIF standard of digital audio transmission
- Supports uncompressed 2-channel LPCM (Linear Pulse Code Modulation) audio signal
- Supports compressed 2-channel and multi-channel Dolby Digital and DTS audio signals
- Provides electromagnetic-noise-free transmission

2×1 Optical Digital Audio Switcher

DT-21



The DT-21 can switch two optical digital inputs to a single optical digital output to lengths of up to 5m, using TOSLink optical cables, reliably and without loss of quality. It is designed to be compact, easy to install and use, making it ideal for home or professional audio distribution.

- Supports the S/PDIF standard of digital audio transmission
- Supports uncompressed 2-channel LPCM (Linear Pulse Code Modulation) audio signal
- Supports compressed 2-channel and multi-channel Dolby Digital and DTS audio signals
- Provides electromagnetic-noise-free transmission

P/N	Inputs	Outputs	Input Audio Formats	Output Audio Formats	Input Sampling Rates (kHz)	Output Sampling Rates (kHz)
DT-12	1×TOSLINK	2×TOSLINK	Compressed 2-5.1CH LPCM 2CH	Compressed (Bypass) LPCM (Bypass)	32-96	32-96
DT-21	2×TOSLINK	1×TOSLINK	Compressed 2-5.1CH LPCM 2CH	Compressed (Bypass) LPCM (Bypass)	32-96	32-96

Other Audio Processor

HDMI Audio Decoder/Repeater

CLUX-11SA

The CLUX-11SA is the most advanced solution for HDMI to HDMI repeater with Audio decoder. This is compatible with HDMI specifications, a cutting edge technology which defines to transfer Deep Color (12-bit/color) video with a high bandwidth up to 225 MHz. The HDMI Distribution Amplifier also does signal amplification and equalization output that can connected with other HDMI to HDMI units for repeater function.



- HDMI, HDCP 1.1 and DVI 1.0 compliant
- Supports digital video formats in Deep Color Mode from 25 MHz to 225 MHz for 36-bit (12-bit/color)
- Supports high definition input up to 1080p@60 Hz/24-bit, output resolution follows input
- Supports HDMI signal amplification and equalization output for repeater function
- Supports uncompressed digital LPCM 2/5.1/7.1 channels and compressed digital Bitstream (Dolby TrueHD, Dolby Digital Plus and DTS-HD Master Audio) through HDMI input and output ports
- Supports digital Dolby 2/5.1 and LPCM 2 channels output through optical audio output port

- Supports LPCM 2/5.1/7.1 signal converted to analog signal and output through multi-channel output ports
- Integrated HDCP encryption for transmitting protected audio and video content
- Supports CEC bypass

P/N	Inputs	Outputs	Input Audio Formats	Output Audio Formats	Input Sampling Rates (kHz)	Output Sampling Rates (kHz)
CLUX-11SA	1×HDMI	1×HDMI, 4×3.5mm Jack	Compressed 2-7.1CH LPCM 2-7.1CH	Compressed (Bypass) LPCM (Bypass) Analog 2-7.1CH	32-192	32-192

Audio to HDMI Bridge

CLUX-11HB

The CLUX-11HB is designed to convert analog or digital audio signals into an HDMI output, allowing easy integration of audio only sources with HDMI distribution systems. This device adds a 'blue-screen' video feed with a simple On-screen Display (OSD) that shows the current audio input so that any HDMI AV Receiver, display or matrix will accept the audio signal. It supports digital audio sampling rates up to 192 kHz and analog stereo audio digitalized to sampling rate of 48 kHz.



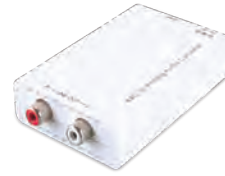
- Supports Analog to Digital audio Conversion (ADC)
- Supports optical digital audio sampling rates of 32 kHz to 192 kHz and audio format of LPCM 2CH
- Converts analog stereo (L/R) audio to digital format with sampling rate of 48 kHz

P/N	Inputs	Outputs	Input Audio Formats	Output Audio Formats	Input Sampling Rates (kHz)	Output Sampling Rates (kHz)
CLUX-11HB	1×TOSLINK, 2×RCA	1×HDMI	Compressed 2-5.1CH Analog 2CH	Compressed (Bypass) LPCM 2CH	32-192	32-192

ARC to Analog Audio Converter

DCT-25

The DCT-25 is designed to extract the audio signal from an HDTV's HDMI ARC (Audio Return Channel) connection and convert it to an analog stereo signal, allowing the connection of an HDTV with HDMI-only output to non-HDMI equipped amplifiers, AV receivers or active speakers. It supports HDMI audio sampling rates up to 192 kHz and analog stereo (2-CH) audio output.



- Supports Digital to Analog audio Conversion (DAC)
- Extracts the HDMI audio signal from an HDTV's ARC connection and converts it to an Line-level analog stereo output
- Supports HDMI audio sampling rates up to 192 kHz
- Supports volume control from the TV's remote control via CEC function

P/N	Inputs	Outputs	Input Audio Formats	Output Audio Formats	Input Sampling Rates (kHz)	Output Sampling Rates (kHz)
DCT-25	1xHDMI	2xRCA	LPCM 2CH	Analog 2CH	32-192	-

RCA Lip Sync Corrector

DCT-18N / DCT-18

The DCT-18N is a compact device that can correct audio delays between audio and video. When distributing video over long distances through multiple devices like distribution amplifiers and set-top boxes there can sometimes be a noticeable delay which results in audio being played before the video. This device allows you to manually adjust the audio delay from 0 ~300ms allowing you to perfectly synchronize your audio and video, eliminating any mismatch.



- Analog to analog signal bypass
- Adjusts the audio delay from 0 ~300ms
- Low power consumption

P/N	Inputs	Outputs	Input Audio Formats	Output Audio Formats	Input Sampling Rates (kHz)	Output Sampling Rates (kHz)
DCT-18 DCT-18N	2xRCA	2xRCA	Analog 2CH	Analog 2CH	-	-

RCA Volume Leveller

DCT-6S

The Volume Leveller incorporating SRS TruVolume™ technology regulates TV channel volume to your preferred listening level and prevents annoying fluctuations that occur when channel surfing as well as taming those obnoxious commercials. It also lets you hear everything you've been missing by giving you a crystal clear audio experience!

- Supports Line Level inputs up to 2Vrms and Line Level outputs up to 1Vrms via stereo RCA jacks
- Regulates TV/Satellite/Radio broadcast volume levels, so you don't have to constantly adjust them when changing channels
- Connects between your TV/Stereo/Soundbar/HTiB/AVR and cable box, to your DVD/Blue Ray player, DVR/PVR/ TiVo® or Satellite Receiver
- Powered via external universal AC/DC adapter
- Boosts low and high-frequency content (20-bands/ch)



HDMI Volume Leveller

DCT-8S

The Volume Leveller is an advanced HDMI to HDMI audio repeater and decoder that incorporates SRS TruVolume™ technology. This device, which prevents annoying fluctuations during commercials or bursting sounds from action scenes always maintains a perfect volume level. The DCT-8S SRS TruVolume Leveller is the best choice for maintaining a perfect volume level.

- Supports HDMI with Deep Color, HDCP 1.1 and DVI 1.0
- Supports HD input/output up to 1080p@24/60 Hz
- Supports HDMI signal amplification and equalization
- Supports 2 channel HDMI audio input to HDMI output
- Integrated HDCP encryption
- Supports CEC bypass
- Regulates and automatically adjusts the volume level of TV/Satellite/Radio broadcasts
- Dynamically boosts low/high frequencies



SCART Volume Leveller

DCT-11S

The Volume Leveller incorporates SRS TruVolume™ technology that will free you from volume fluctuations when switching TV channels. It prevents annoying fluctuations from commercials or bursting sounds during action scenes. It always maintains a good volume level, never letting you miss any sounds during quiet conversations or light music.

- Supports 2-CH audio from SCART input to SCART output
- Supports line level inputs up to 2Vrms and line level output up to 1Vrms
- Adjusts volume to your preferred hearing level
- An advanced psychoacoustic modeling engine

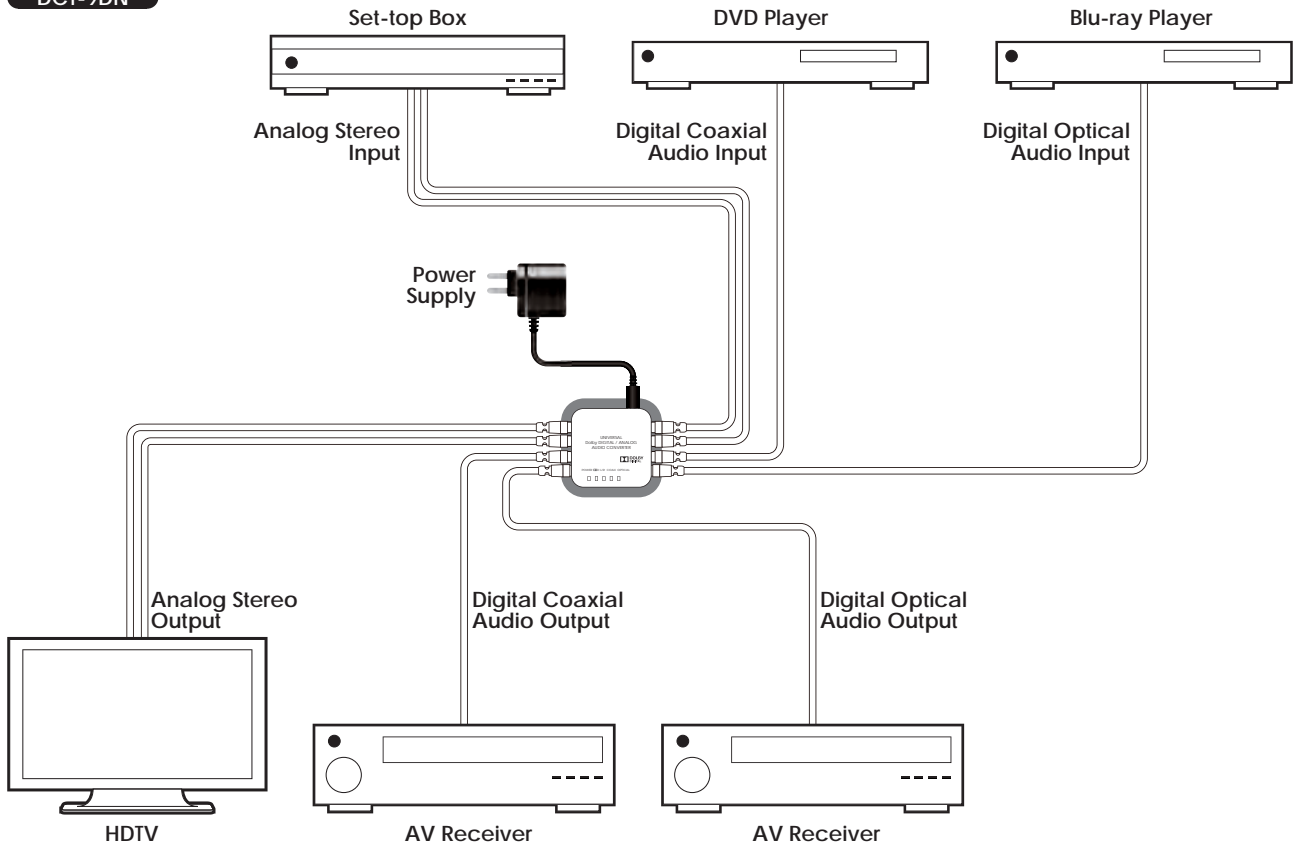


- dynamically boosts low and high-frequency content
- SCART video input is looped through to the SCART output

P/N	Inputs	Outputs	Input Audio Formats	Output Audio Formats	Input Sampling Rates (kHz)	Output Sampling Rates (kHz)
DCT-6S	2×RCA	2×RCA	Analog 2CH	Analog 2CH	-	-
DCT-8S	1×HDMI	1×HDMI	LPCM 2CH	LPCM 2CH	32-48	32-48
DCT-11S	1×SCART	1×SCART, 2×RCA	Analog 2CH	Analog 2CH	-	-

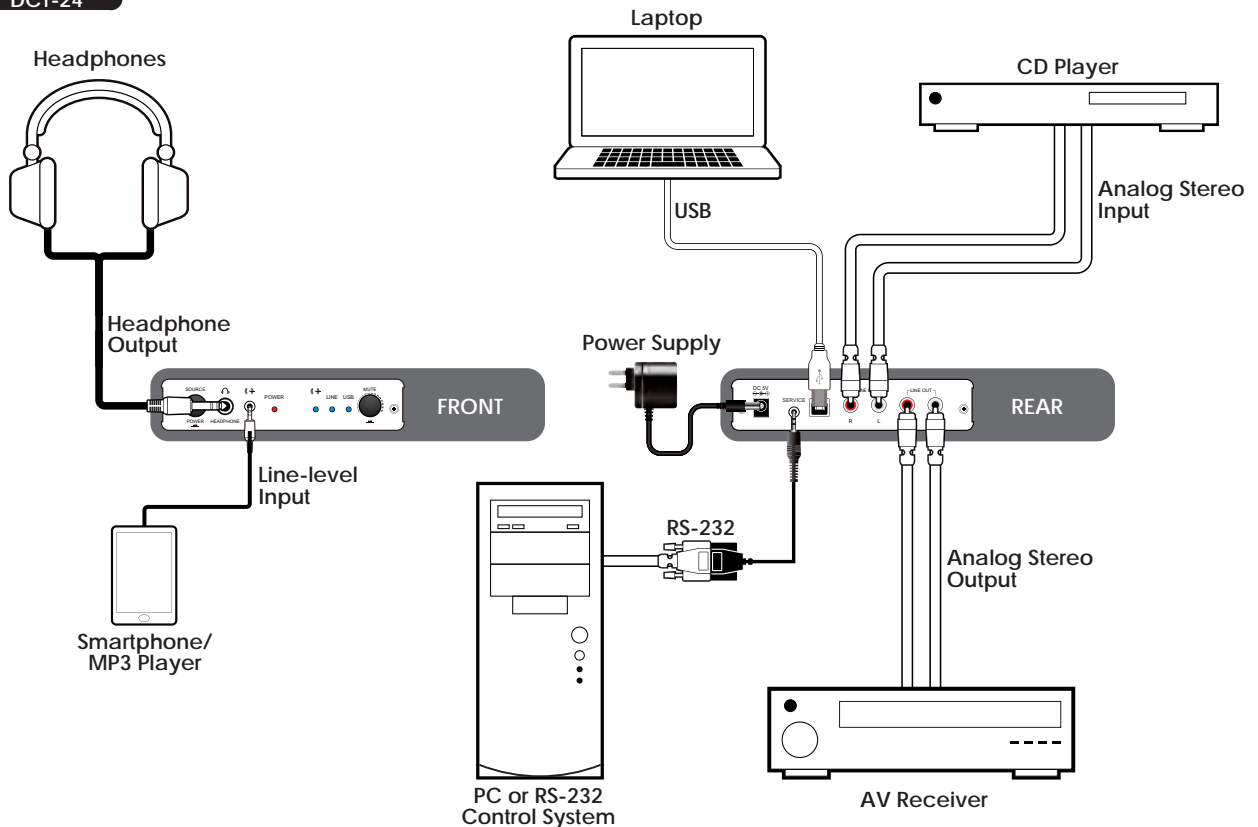
AUDIO CONVERSION

DCT-9DN



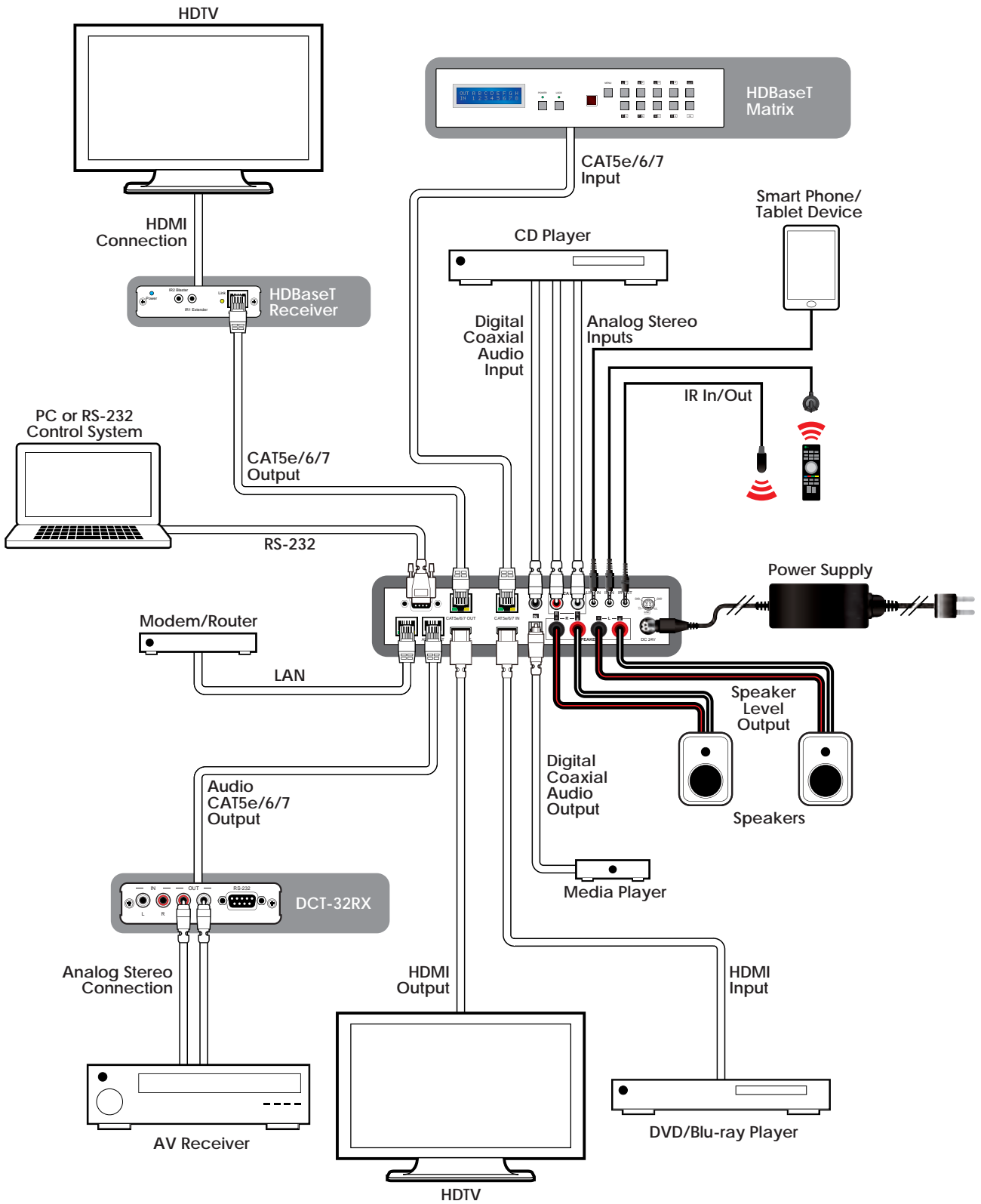
SCHEMATIC

DCT-24



SCHEMATIC

DCT-23HD



SCHEMATIC

LED/LCD Video Wall

60"/55"/47"/42" Video Wall Display

CVW-60S / CVW-55S / CVW-47S / CVW-47LG2 / CVW-42AK2/ CVM-42AU2

- Supports 2x2, 3x3, 4x4, and 5x5 video wall settings
- Supports MxN (such as 2x3 or 1x3) video wall settings (up to 15 screens)
- Built-in frame-shifting feature for the optimization of video display
- Supports OSD (On Screen Display) operation
- Supports both HDMI and SDI interfaces
- Versatile applications - department stores, chain stores, stock broker lobbies, airport, train / bus stations, and other digital signage installation
- Rack mount kit (optional) available for setup
- Built-in PC software (customizable) for display control and scenario swapping
- HDMI or SDI matrix products are recommended for source management



P/N	Inputs	Outputs	TV Resolutions	PC Resolutions	Screen Size	Frame Size (mm)	Display Backlight
CVM-42AU2	1xHDMI, 1xVGA, 1xIR Extender, 1xRS-232	1xRS-232	480i-1080p	VGA-SXGA	42"	24+24	LCD
CVW-42AK2	1xHDMI, 1xVGA, 1xIR Extender, 1xRS-232	1xRS-232	480i-1080p	VGA-SXGA	42"	13+13	LED
CVW-47LG2	1xHDMI, 1xVGA, 1xIR Extender, 1xRS-232	1xRS-232	480i-1080p	VGA-SXGA	47"	10+10	LCD
CVW-47S	2xHDMI, 1xVGA, 1xIR Extender, 1xRS-232	1xRS-232	480i-1080p	VGA-SXGA	47"	3+1.9	LED
CVW-55S	2xHDMI, 1xVGA, 1xIR Extender, 1xRS-232	1xRS-232	480i-1080p	VGA-SXGA	55"	3.4+1.9	LED
CVW-60S	2xHDMI, 1xVGA, 1xSDI, 1xIR Extender, 1xRS-232	1xSDI, 1xRS-232	HDMI: 480i-1080p SDI: SMPTE 259M-C, SMPTE 292M, SMPTE 424M/425M-AB	VGA-SXGA	60"	4.1+2.4	LED

Video Wall Controller

Multi-screen Video Wall Controller

CVW-11HS

The CVW-11HS is ideal for advertising, entertainment and information display. The device allows users to display HDMI or PC sources to multiple LCD monitors, while thanks to the built-in RS-232 control you are able to fully customize the LCD panels giving you complete control over 2x2, 3x3, 4x4 and 5x5 video walls.

The device has a built-in PC to HDMI scaler, which allows the inputted PC video signal to be integrated and converted to a digital HDMI signal output to the video wall. There is a pair of additional audio L/R RCA connectors for the user to output analog audio (de-embedded from the HDMI source, or routed from the analog audio input) to local speakers. Further, the IR remote and the RS-232 control allow users control from anywhere they wish.



- Supports 6 or more video wall combinations of HxV: 2x2 (4 monitors), 3x2 (6 monitors), 3x3 (9 monitors), 4x3 (12 monitors), 4x4 (16 monitors) and 5x5 (25 monitors)
- Supports both HDMI and PC (with audio) sources
- Resolution support up to 1080p Full HD
- Uses RS-232 cables to cascade to each connected device to remotely control each monitor with a single setting
- Supports external IR receiver for IR remote control

Note: Requires an HDMI or PC (with audio) signal splitter to distribute the video/audio signal to each connected device.

P/N	Inputs	Outputs	TV Resolutions	PC Resolutions	Screen Size	Frame Size (mm)	Display Backlight
CVW-11HS	1xHDMI, 1xVGA, 1x3.5mm Jack, 1xIR Extender, 1xRS-232	1xHDMI, 2xRCA, 1xRS-232	Input: 480p-1080p Output: 720p/1080p	VGA-SXGA	-	-	-

RS-232 Level Shift Board

CDB-5

The CDB-5 is designed to adjust control commands between PCs and control devices, including TV Wall systems. The PC protocol is converted so that it is readable by the control device to ensure it executes the exact command action.

- Baud Rate testing
- RS-232 command configuration



P/N	Inputs	Outputs	TV Resolutions	PC Resolutions	Screen Size	Frame Size (mm)	Display Backlight
CDB-5	1×RS-232	1×RS-232	-	-	-	-	-

Video Wall Processor

4×4 HDMI Seamless Quad Video Matrix

CDPS-44SM

The CDPS-44SM is an advanced 4-way HDMI switch with integrated Multi-view POP (Picture -out-of Picture) technology. This plug and play solution offers advanced control and display options for the integration of 4 sources onto 4 displays. It provides 3 output modes, Matrix, Dual and TV Wall. Matrix mode can route and switch just like a normal matrix, the Dual mode allows 2 sets of 2 selected sources to be displayed in a Picture-out-of-Picture configuration and the TV Wall mode displays a selected source over 4 displays as if it were a single video image.

The device supports resolutions up to WUXGA@60 (RB) and 1080p@60 Hz, audio formats up to 7.1CH LPCM at 192 kHz sampling rate based on the source EDID. It has the added benefit of control through IR, remote control, Telnet/IP, RS-232 or front panel buttons.



- HDMI, HDCP1.1 and DVI compliant
- Supports Deep Color 8/10/12-bit
- Seamless switching of HDMI sources
- Supports three different display modes: Matrix, Dual, Video Wall:
 - **Matrix Mode:** Can seamlessly switch between and output from any 4 sources to any 4 displays, as per a normal matrix switch
 - **Dual Mode:** Can display a POP (Picture-out-of-Picture) image combined from 2 sources to be presented on the HDMI output ports (Dual A and Dual B)
 - **Video Wall Mode:** Can split a single source to 4 displays e.g a 2 by 2 Video wall as a full image with adjustable Bezel Correction
- Supports control via On-screen Display (OSD), RS-232, Telnet (IP), IR Remote control and on-panel controls
- Supports Input resolutions of VGA-WUXGA and 480i-1080p
- Supports Output resolutions of 480p-1080p
- Supports different input resolution and output resolution selectable from the OSD menu. The default setting for the output resolution is 720p@60Hz/2CH LPCM
- Supports High definition Audio formats: LPCM 2CH/6CH/8CH, Dolby Digital, DTS, Dolby Digital Plus, Dolby TrueHD and DTS-HD Master Audio

P/N	Inputs	Outputs	4K	3D	ARC	HEC	Deep Color	HD Audio	CEC	EDID	HDCP
CDPS-44SM	4×HDMI	4×HDMI	-	-	-	-	Yes	Yes	-	-	Yes

1x4 HDMI Seamless Quad Video Splitter

CDPS-14TW

This HDMI Video Wall Controller allows a single HDMI source to be displayed on up to 4 HDMI displays (TV or monitor) and/or cascade to additional units to extend the number of displays in the video wall configuration. The user-friendly PC control application allows full control over single or multiple devices in a Video Wall control system, including picture adjustment and full bezel correction. It supports video resolutions up to WUXGA@60Hz (RB) and 1080p@60Hz, audio formats up to 7.1CH LPCM at 192kHz sampling rate dependent upon the source devices resolution capabilities. All operation and control can be done via IP (Telnet/PC application) and RS-232 commands.

- HDMI, HDCP1.1 and DVI compliant
- Output a single source image to 4 displays (in a 2 by 2 Video Wall configuration) with adjustable Bezel Correction
- Cascade/Bypass the HDMI signal up to as many units as required, increasing the number of displays in the MxN Video Wall
- Supports Input resolutions of VGA~WUXGA and 480i~1080p
- Supports IP (Telnet/PC Application) and RS-232 control
- Supports Output resolutions 720p@50/60Hz, 1080p@50/60Hz and several PC timings
- Supports different input resolutions and output resolutions selectable using PC application (Factory default settings of the output signal are 720p@60Hz video and LPCM 2CH audio)
- Supports pass-through of audio formats: LPCM 2/5.1/7.1CH, Dolby Digital 2~5.1CH, DTS 2~5.1CH, Dolby Digital Plus, Dolby TrueHD and DTS-HD Master Audio



P/N	Inputs	Outputs	4K	3D	ARC	HEC	Deep Color	HD Audio	CEC	EDID	HDCP
CDPS-14TW	1xHDMI	4xHDMI	-	-	-	-	Yes	Yes	-	-	Yes

4x1 HDMI Seamless Quad Video Switcher

CDPS-41SQ

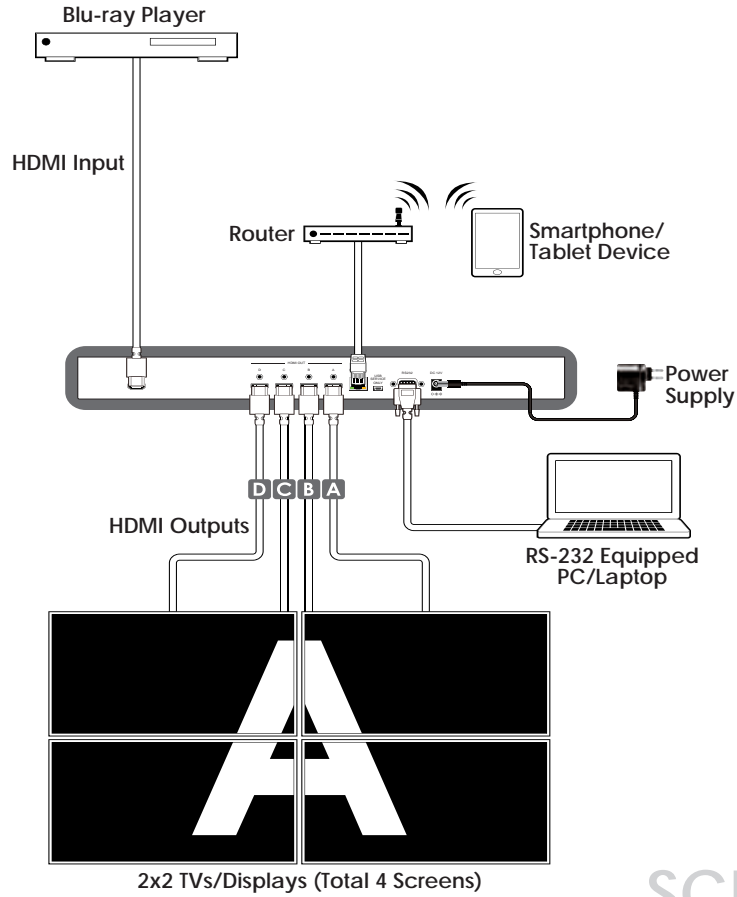
The CDPS-41SQ is an advanced HDMI switch with integrated Picture-in-Picture (PIP) technology that can be easily configured and controlled. It allows 4 different sources to be selected and arranged on a single display and supports video resolutions up to 1080p and audio up to 8CH/192kHz. Preset hot keys, IR and RS-232/Telnet support allows instant control and switching.

- Integrate 4 HDMI sources to a single display or video wall system
- Seamless switching between channels and windows
- Supports individual channel size and position adjustments
- Zoom, shrink and overlay the source channels
- Supports Fade-In/Fade-Out, Chromakey, Mirror and Rotation (90° left/right and 180° up or down) functions
- Supports Picture-in-Picture (PIP), Picture-out-of-Picture (POP) and multi-window display
- 8 Screen preset hot keys and 4 extra customizable screen setting favourites
- Supports OSD, RS-232, Telnet, Remote and on-panel controls
- Save and recall up to 4 customisable favorite screen arrangements

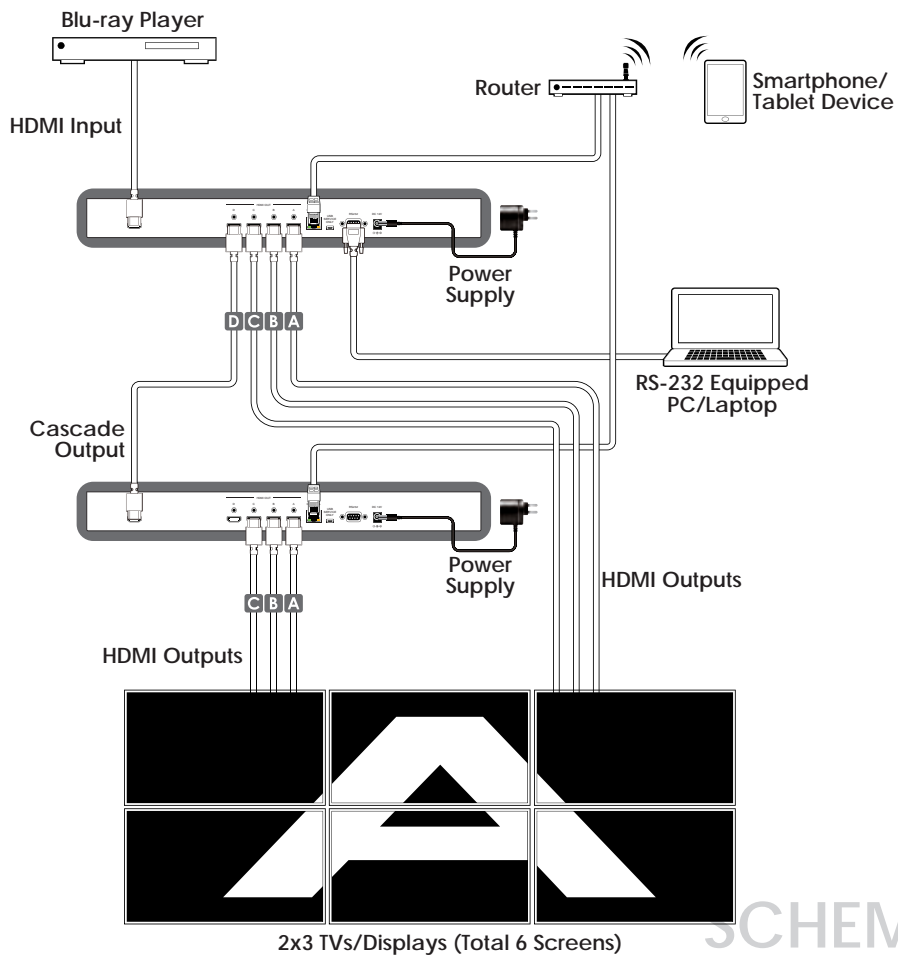


P/N	Inputs	Outputs	4K	3D	ARC	HEC	Deep Color	HD Audio	CEC	EDID	HDCP
CDPS-41SQ	4xHDMI	1xHDMI	-	-	-	-	Yes	Yes	-	-	Yes

CDPS-14TW

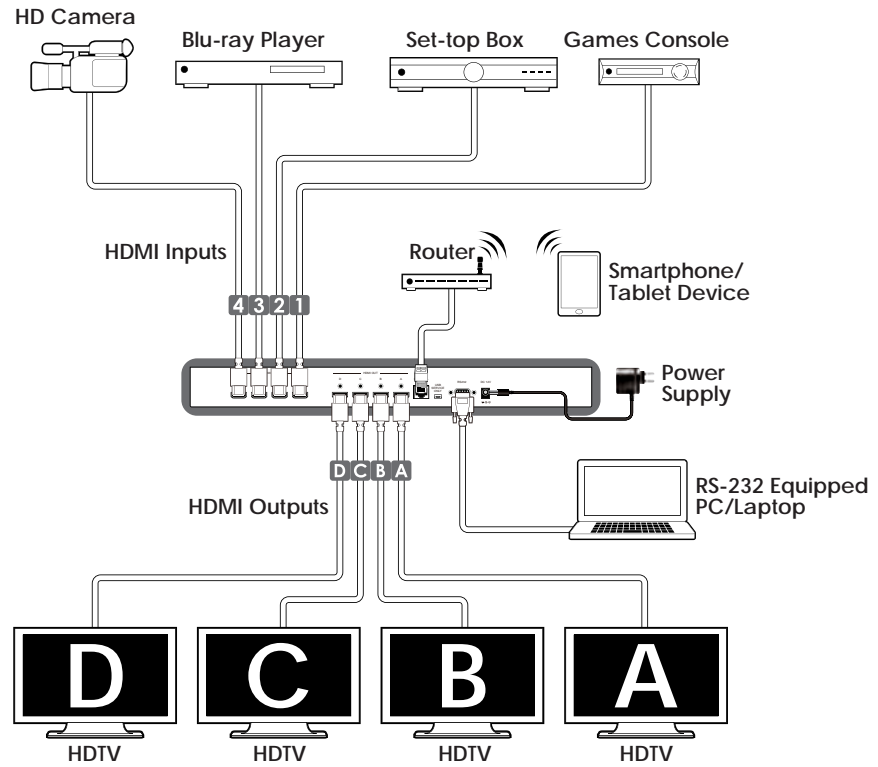


SCHEMATIC



SCHEMATIC

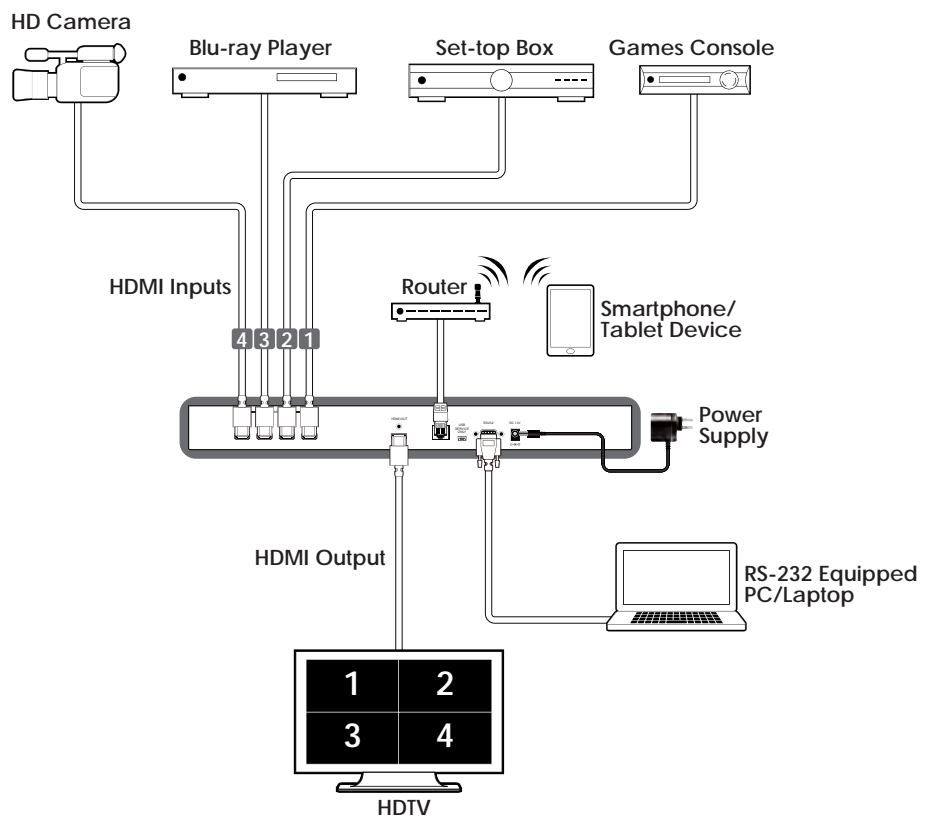
CDPS-44SM



Screen Configurations:



CDPS-41SQ



Screen Configurations:



Home Automation

DemoPad CENTRO 8 Controller

CCS-D1



The CENTRO 8 Controller is a powerful automation processor enabling an installer to create customised commercial or residential control systems. Utilising advanced embedded software, and programmable using DemoPad Designer Software, the CENTRO 8 processor is the heart of your control system providing complete control over automated and manual control functions. DemoPad is the fastest and most cost effective solution for controlling audio, video, lighting, HVAC (Heating, Ventilation, Air Conditioning), and security systems (CCTV) directly from an iPhone, iPad, or Android device. The GUI can be user-branded for that finishing touch to any professional or bespoke control system interface.

The CENTRO 8 controller incorporates a vast array of connectivity ports for integration of IR, RS-232, Contact Closures, Low Voltage Relays, HDMI, USB, Audio, and LAN. Existing DemoPad software projects can be seamlessly integrated with the controller delivering the ultimate in flexibility for professionals committed to delivering World class control solutions.

- **Powerful IP Networking Capabilities:** Connect up to 20 simultaneous client devices (iOS/Android), and communicate with many more control devices throughout the network.
- **Astronomically-Aware and Date-Aware Timer Events:** For example : turn your lights off 25 minutes after sunset, except on weekends and in the summer.
- **Centrally Stored System Variables:** When one user turns a zone On, any other user (including remote ones) also know about it.
- **Programmable Audio Output:** Play a custom doorbell or security alert sound through your audio system when an input triggers, or at certain times.
- **Programmable HDMI Output:** Have another input to your HDMI distribution system to show web pages or a photo frame slideshow, which can be timer-driven.
- **Built-in Web Server:** Store the DemoPad project on the CENTRO 8 and allow communication of any device with a web browser.
- **Advanced Macros:** Uses the same powerful macro generation routines as our control app.
- **Upgrade in the Field:** Return to your clients after installation to enable new features and benefits.
- HDMI Resolution Support up to 1080p@60Hz.
- Dolby True HD, Dolby Digital Plus and DTS Master Audio Pass-through supported via HDMI.

P/N	Ethernet	USB	Infrared Learning Input	Triggers	RS-232 COM Ports	Infrared Emitting Output	Relays	App Installation
CCS-D1	1	2	-	8	4	16	4	Yes

DemoPad CENTRO-C IP Gateway

CDPS-D2



The CENTRO-C IP Gateway is a powerful unit enabling control of equipment over IP via Infra-Red, RS232 & contact closure interfaces. The CENTRO-C can be used by any control system which communicates over TCP/IP.

DemoPad is the fastest and most cost effective solution for controlling audio, video, lighting, HVAC (Heating, Ventilation, Air Conditioning), and security systems (CCTV) directly from an iPhone, iPad, or Android device. The GUI can be customized for a professional and bespoke control system interface.

- **Vast Array of Connectivity Ports:** With 50 individual ports, some of which are capable of controlling several pieces of equipment, the CENTRO-C is suitable for any size of installation.
- **Multiple TCP Clients:** Allows connection of multiple simultaneous client devices (iOS/Android etc).
- **Control System Independent:** You can use the CENTRO-C gateway with either the DemoPad control system, or any other 3rd party control system capable of communicating via TCP/IP.
- **Expandable:** For larger systems, multiple CENTRO-C units can exist on the same network.
- **Firmware Updates via USB:** The included USB cable can be used to upgrade the unit's firmware once it has left the factory.
- **Auto Notification of Events:** 2-way feedback data from RS-232 ports and inputs are automatically sent to any connected client devices.

P/N	Ethernet	USB	Infrared Learning Input	Triggers	RS-232 COM Ports	Infrared Emitting Output	Relays	App Installation
CDPS-D2	1	-	-	16	6	16	12	Yes

Micro Control System

µCS Micro Control System

CDPS-CS4



By entering into a new era of smart connectivity, it is easier than ever to have complete control of your devices in the palm of your hand. This Control System provides not only direct but also indirect control interfaces for all your connected devices. Supporting traditional direct control systems like IR, Relay and DC and indirect control systems like IR Learning, RS-232, Telnet/Web GUI controls, it allows the user with PC or APP based control systems great flexibility over devices.

The operation of the system can be easily managed through software application on PC/NB or APP on mobile devices.

- Supports IR Learning function: allows IR signals to be stored in the system and used for control
- Supports eight Terminal Block inputs with voltage of 0~15V
- Supports 1 IR Learning port, 8 IR outputs, 8 control inputs, 8 Relay outputs, 2 COM ports, and 4 Ethernet ports
- Supports Baud rates up to 115,200bps
- Supports 10/100Mbps Ethernet network connection

P/N	Ethernet	USB	Infrared Learning Input	Triggers	RS-232 COM Ports	Infrared Emitting Output	Relays	App Installation
CDPS-CS4	4	1	1	8	2	8	8	Yes

Infrared Learner

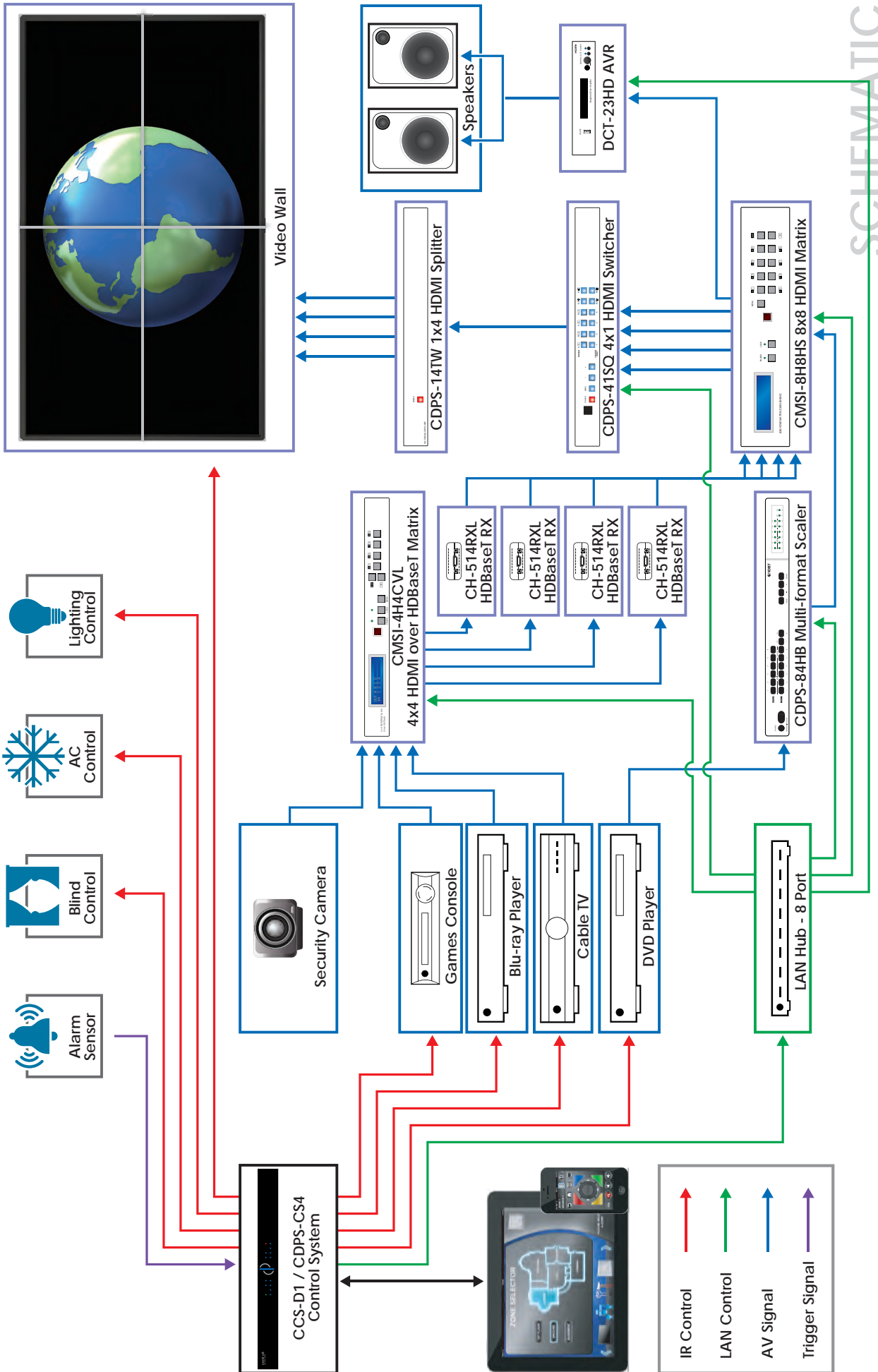
CDPS-IRL

This Infrared Learner is an advanced tool for all your control system design needs. This compact yet functional device will allow the capture and conversion of an analog IR signal into a digital format and store it for later use. The simple software tool can store all learnt IR signals for later recall. The IR Learner does not only learn the IR signal but can also transmit the learned signal to test that it has captured the IR code correctly. The IR Learner is compatible with a wide variety of devices.



- Learns and transmits an IR signal to confirm successful learning
- Simple software installation
- Compact USB dongle design

P/N	Ethernet	USB	Infrared Learning Input	Triggers	RS-232 COM Ports	Infrared Emitting Output	Relays	App Installation
CDPS-IRL	-	1	1	-	-	1	-	Yes



Pattern Generator and Analyzer

HDMI/PC/Audio Generator and Analyzer

CPHD-3A

The CPHD-3A is an advanced device for testing your audio and video signals. It boasts HDMI, Optical and 7.1 Analog inputs and outputs as well as a PC/YUV and Coaxial output. With 40 built-in resolution timings and 51 test patterns for testing both analog and digital signals, this pattern generator provides over a thousand types of test patterns. HDCP and EDID data can be analyzed to confirm configurations and provide test data for complex HD systems. This device can be controlled via the front panel buttons or through the IR remote and results viewed on the LCM.



- HDMI, HDCP 1.1 and DVI 1.0 compliant
- Provides 40 resolution timings and 51 test patterns
- Timings include SD, HD up to 1080p, PC up to UXGA/WUXGA (Reduced Blanking Pixel Rate at 154 mHz)
- Graphic Tests and Data Analysis patterns included
- Outputs HDMI/DVI, or analog PC/HD (component)
- Supported color formats include RGB444, YCbCr444 and YCbCr422
- Deep color support up to 8/10/12-bit
- Selectable audio source from 7.1CH, optical or internal sine wave generator
- Internal sinewave LPCM channel is selectable from 2CH, 5.1CH and 7.1CH
- Supports the following tests and analysis: HDCP, EDID, HDMI/DVI
- Has an Auto-run setting
- Choose between different timings and patterns through RS-232 commands using the easily downloadable software and a user friendly interface that utilizes the LCM, LED indicators, IR remote and RS-232 remote commands

P/N	Test Interface	Video Timings	Video Patterns	TV/PC Resolutions	3D Patterns	Audio Patterns	HDCP	EDID
CPHD-3A	HDMI, VGA, COAX, TSOLINK	HDMI: 40 VGA: 22	51	480i-1080p@24/50/60 8/10/12-bit VGA-WUXGA (RB)	-	Internal: Multi-CH@48kHz External: 32-192kHz	Yes	Yes

Mini HDMI 3D Analyzer

CH-A1

The CH-A1 is a tool for checking both source (Blu-ray or DVD players) and display devices (TV or monitors). With touch button controls and built-in OLED display it can show the status and information of both the input and output devices connected to it by HDMI.

The analyzer can be used to analyze the input source device info-frame and output sink device EDID. It also has a built-in pattern generator that can be used to test the capabilities of the output device including 3D and resolution/timing support.



- Supports Timing include SD, HD up to 1080p, PC up to WUXGA and 3D
- Provides 25 timings, 6 patterns and 1 pattern for 3D timing
- 'Deep color' video support (up to 12-bit, 1080p@60 Hz)
- Supports input signal bypass, digital video formats in 'Deep Color' Mode up to 36-bit (12-bit/color) and new lossless compressed digital audio (Dolby TrueHD, Dolby Digital Plus and DTS-HD Master Audio)
- Supports internal pattern audio LPCM 2CH 48/96/192 kHz, LPCM 5.1CH 48/96 kHz, LPCM 7.1CH 48/96 kHz
- Analyze the input source info-frame and output sink EDID information
- Touch button control function
- OLED display shows Input/Output timing information
- Supports ARC (Audio Return Channel)
- Supports 'Deep Color' (8/10/12-bit) output
- Supports HDCP repeater function
- Supports CEC bypass

P/N	Test Interface	Video Timings	Video Patterns	TV/PC Resolutions	3D Patterns	Audio Patterns	HDCP	EDID
CH-A1	HDMI	25	6	480i-1080p@24/25/60Hz (8/10/12-bit) VGA-WUXGA (RB)	Frame Packing Side-by-Side (Half) Top-and-Bottom	2CH@48/96/192kHz Multi-CH@48/96kHz	-	Yes

HDMI Pattern Generator

CPHD-1

With the combination of its various timings, patterns and color spaces, CPHD-1 can provide up to 4095 types of video testing signals. It also supports 3 types of audio testing signal, one built-in sine wave, one external analog audio, and one external digital audio input through S/PDIF. Users can use the on-panel buttons or remote controller to select from the timings, patterns, color spaces, DVI/HDMI output, and audio signal type, while you can also choose to use the bundled Windows software application to perform advanced control.



- Provides total 39 Timings and 39 Patterns
- Supports HDCP signal verification pattern (P39)
- Supports RS-232 control, specific PC application please download from website

P/N	Test Interface	Video Timings	Video Patterns	TV/PC Resolutions	3D Patterns	Audio Patterns	HDCP	EDID
CPHD-1	HDMI	39	39	480i-1080p@24/50/60Hz (8-bit) VGA-WUXGA (RB)	-	Internal: Multi-CH@48kHz External: 32-192kHz	Yes	Yes

HDMI Video Pattern Generator

CPA-4

- HDMI v1.2, HDCP1.1 and DVI1.0 compliant
- HDMI frequency bandwidth supports 1.65Gbps (single link)
- Output resolutions support PC VGA60 / SVGA60 / XGA60 / SXGA60 / UXGA60 / WUXGA60 and HD 576p50 / 480p60 / 720p50 / 720p60 / 1080p50 / 1080p60
- Supports output signal (DVI/HDMI) auto detect
- Supports 8 Groups with 36 patterns
- Audio sources support internal 1 kHz Sinewave 48kHz sampling rate or external optical input
- HDMI audio output supports from internal 1KHz Sinewave and converted to 8 channels LPCM, 48 KHz Sampling rate or from external optical input
- EDID supports VESA EDID 1.3 and EIA/CEA 861 Version 3



P/N	Test Interface	Video Timings	Video Patterns	TV/PC Resolutions	3D Patterns	Audio Patterns	HDCP	EDID
CPA-4	HDMI	12	36	480p-1080p VGA-WUXGA (RB)	-	Internal: Multi-CH@48kHz External: 32-192kHz	Yes	Yes

Multi-System Video Pattern Generator

LPM-55

- Built-in OSD indicates the TV system of the output pattern
- Provides Circle, 8-step Grey Scale, 16-step Grey Scale, Color Bar, Multi-burst, Color Difference R-Y, B-Y, Moving white patterns
- Field, White Pattern, Checkerboard, Crosshatch, Dots, Centre Cross, and Purity
- More than 100 different test patterns are available in a combination of 14 patterns
- Multiburst pattern comprises full screen definition pattern of 8 vertical bars
- Four speeds are available for the Moving White Field for testing fast motion picture



P/N	Test Interface	Video Timings	Video Patterns	TV/PC Resolutions	3D Patterns	Audio Patterns	HDCP	EDID
LPM-55	Component Video/SV/CV	6	55	NTSC 3.58/NTSC 4.43 PAL/PAL-M/PAL-N SECAM	-	-	-	-

Power Supply Equipment

CAT5e/6/7 Power Inserter

CH-POC1

The CH-POC1 is designed to provide 24V power to a connected PoC-capable HDBaseT receiver unit for it to operate without power supply. In a simple application of HDBaseT PoC extender set, the receiver unit can be powered by the connected transmitter unit, over a single run of CAT5e/6/7 cable. However, when comes to an integration of multiple HDBaseT devices, the PoC-capable receiver unit might not always be able to benefit from the PoC feature as the transmitter could be either non-PoC or its power output is used by other device, to work around such a situation you can install CH-POC1 to the system to insert the power required by the receiver unit.



- Supports power insertion
- Supports HDBaseT signal bypass
- Power cascading
- Compact and easy to use

P/N	Inputs	Outputs	TV Resolutions	PC Resolutions	Power Mgt.	CEC Mgt.	EDID Mgt.	Software Inst.
CH-POC1	1×CAT5e/6/7	1×CAT5e/6/7	-	-	Yes	-	-	-

8-way Adjustable DC Power Supply

CPOWER-80W

The CPOWER-80W is an 8-way DC power splitter which can distribute electrical power up to 8 devices (10.2 volt/3.2 amp each port) with overall power consumption of 80 watts over Terminal Block (3.5 mm, 2 poles). Ideal for professional applications, this device provides smart control over each individual port and supports adjustable voltage control and On/Off switching functions. It can be controlled through on-panel buttons or via RS-232 commands. It also comes with an OLED display which can show the status of all ports or data for a single port.



- Power management system that can provide voltage controlled current on each port, with the ability to show real-time measurement results on the built-in OLED screen
- PC software application with the capability of collecting voltage current variation data in time and using RS-232 protocols it can create tables and charts of historic data
- Supports adjustment of voltage and current to allow the maximum usage on each channel
- Supports 12 V/6.67 A power input
- Supports overall power consumption up to 80 watts
- Supports up to 8 power outputs with professional pluggable 2-pole 3.5mm Terminal Blocks

P/N	Inputs	Outputs	TV Resolutions	PC Resolutions	Power Mgt.	CEC Mgt.	EDID Mgt.	Software Inst.
CPOWER-80W	1×RS-232	8×Terminal Block	-	-	Yes	-	-	-

HDMI Power Inserter

CS-PM

The CS-PM allows users to add extra power to HDMI connections. When cascading video over long distances, or when the source device (such as a DVD/Blu-ray player or Set-top Box) cannot provide enough power, you are often left with a degraded signal because, without enough power, your video signal will not be stable and you cannot increase your operating distance. The HDMI Power Inserter can solve this by providing up to 5 V/2 A of power to HDMI devices like scalers, splitters or it can power an HDMI Enhancer (with built-in HDMI CDR and equalizer) to stabilize the signal and help to solve HDMI power issues.



- Provides extra power to an HDMI output while safely disconnecting the original power supply from the HDMI input without interrupting the original HDMI signal
- Supports up to 5 V/2 A
- Over current protection
- Maximum total input and output cable lengths supported are 16 meter at 8-bit and 10 meter at 12-bit color depth

P/N	Inputs	Outputs	TV Resolutions	PC Resolutions	Power Mgt.	CEC Mgt.	EDID Mgt.	Software Inst.
CS-PM	1xHDMI	1xHDMI	-	-	Yes	-	-	-

HDMI EDID/CEC Equipment

HDMI EDID Emulator

CED-1M

The CED-1M is designed to allow the adjustment of HDMI/DVI EDID information that is provided to a source device by a connected display so that it may output the correct video/audio signal. Aiming to simplify the technical complications involved in video/audio system integration, home theater installation, video/audio equipment testing and experimentation, the unit's learning function allows the user to Read and Write the video/audio EDID to the system. It also supports EDID Emulation and Bypass modes.



- Compliant with HDMI and DVI 1.0 standards
- Supports the following HDMI features:
 - High video bandwidth up to 340MHz/10.2Gbps
 - Resolutions up to 1080p@60Hz and 4K2K@24/30Hz
 - 36-bit Deep Color
 - LPCM 7.1CH, Dolby TrueHD, Dolby Digital Plus and DTS-HD Master Audio (Sampling rates from 32kHz to 192kHz)
- Supports four different EDID Modes:
 - **Read Mode:** Reads the TV/display's EDID information
 - **Write Mode:** Overwrites the TV/display's EDID information (TV/display needs to be able to support overwrite function)
 - **Emulator Mode:** Allows the source device to read the selected EDID information from the unit's default or learned EDID memory
 - **Bypass Mode:** Allows the source device to read the EDID information from the TV/display directly
- Supports 8 sets of default EDID
- Supports DVI source by using HDMI to DVI adaptor
- Supports CEC and EDID pass-through
- Supports being powered by USB or HDMI input

P/N	Inputs	Outputs	TV Resolutions	PC Resolutions	Power Mgt.	CEC Mgt.	EDID Mgt.	Software Inst.
CED-1M	1xHDMI	1xHDMI	480i-4K@24/25/30Hz	-	-	-	Yes	Yes

EDID/CEC Selector

CEC-S11

The EDID/CEC Selector allows anyone to set up a firm EDID and CEC between a source and display. Instead of waiting for the source and display to synchronize, this HDMI v1.3 switcher saves time by using your preset EDID and CEC settings to speed up this process. It's also easy for you to change your settings, simply choose your options like: internal/external power and EDID auto setting to let everyone enjoy the benefits this device can bring.



- Compliant with HDMI 1.3 and DVI 1.0 standards
- Serial data rate at up to 2.25Gbps, capable of supporting digital video formats in Deep Color Mode at up to 36 bits (12 bits/color)
- Supports HD audio-Dolby Digital TrueHD and DTS-HD
- Embedded EDID
- Built-in CEC support with compliant CEC PHY
- HDMI cable distance testing showed that with 1080p/8bit or 12bit resolution the input/ output can be up to 10/15 meters away
- Supports DVI source/display by using an HDMI/DVI adaptor cable
- Can choose the EDID source from either the TV or this splitter
- Supports CEC by pass or set the device manually to HDMI
- Easy to install and operate

P/N	Inputs	Outputs	TV Resolutions	PC Resolutions	Power Mgt.	CEC Mgt.	EDID Mgt.	Software Inst.
CEC-S11	1xHDMI	1xHDMI	408i-1080p@50/60Hz	VGA-UXGA	-	Yes	Yes	-

HDMI CEC Controller

CLUX-UCEC

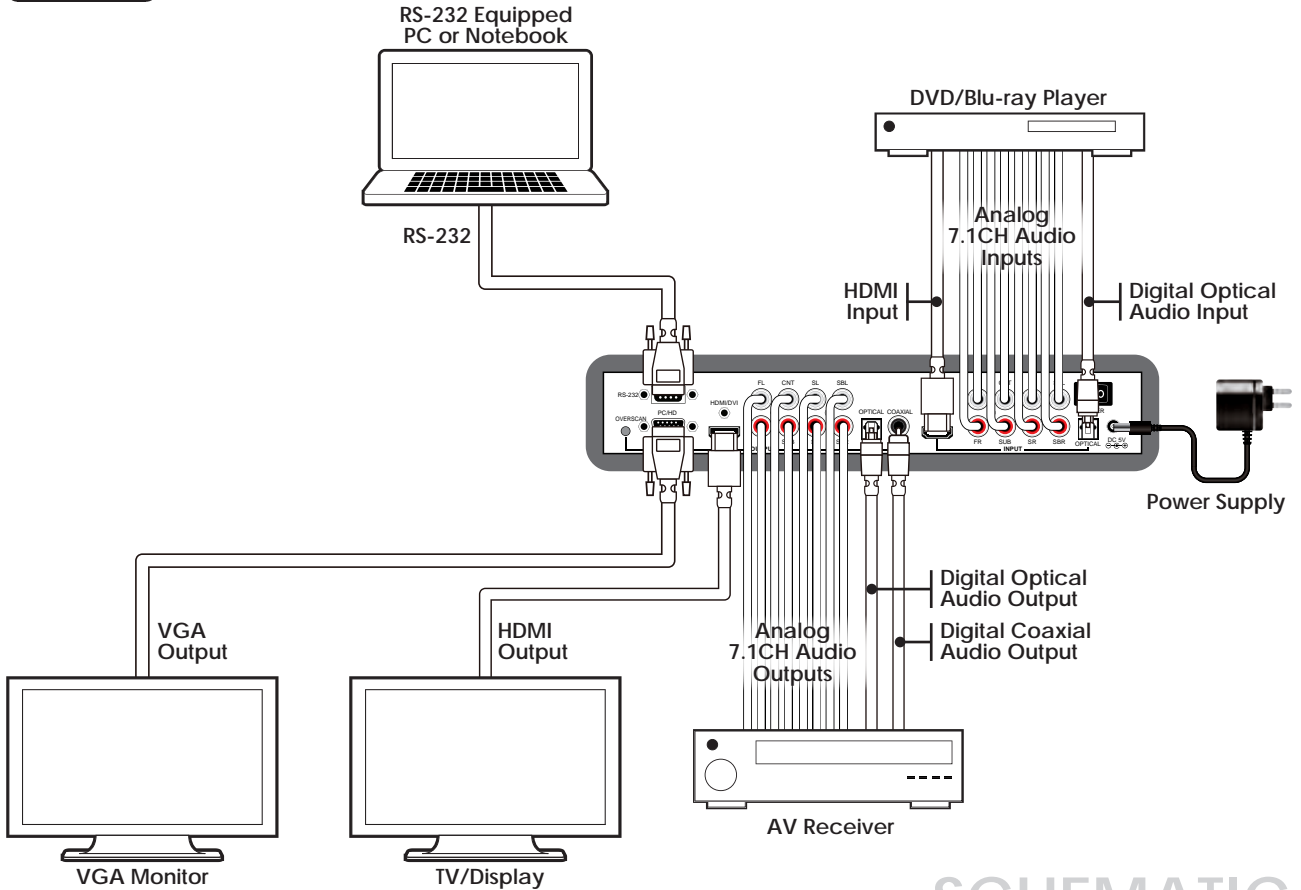
The CLUX-UCEC is a convenient USB device allowing users to control various HDMI devices through their PC. Both sources and displays can be controlled, either with a PC or remote control. This device connects to the PC using a mini USB port, allowing plug and play simplicity and providing power for the device itself, so you don't have to deal with any cumbersome cables.



- HDMI v1.3, HDCP v1.1 and DVI v1.0 compliance
- Supports full CEC functions
- Plug and play
- RS-232 over mini USB
- Power supplied through the mini USB port
- Supports EDID bypass

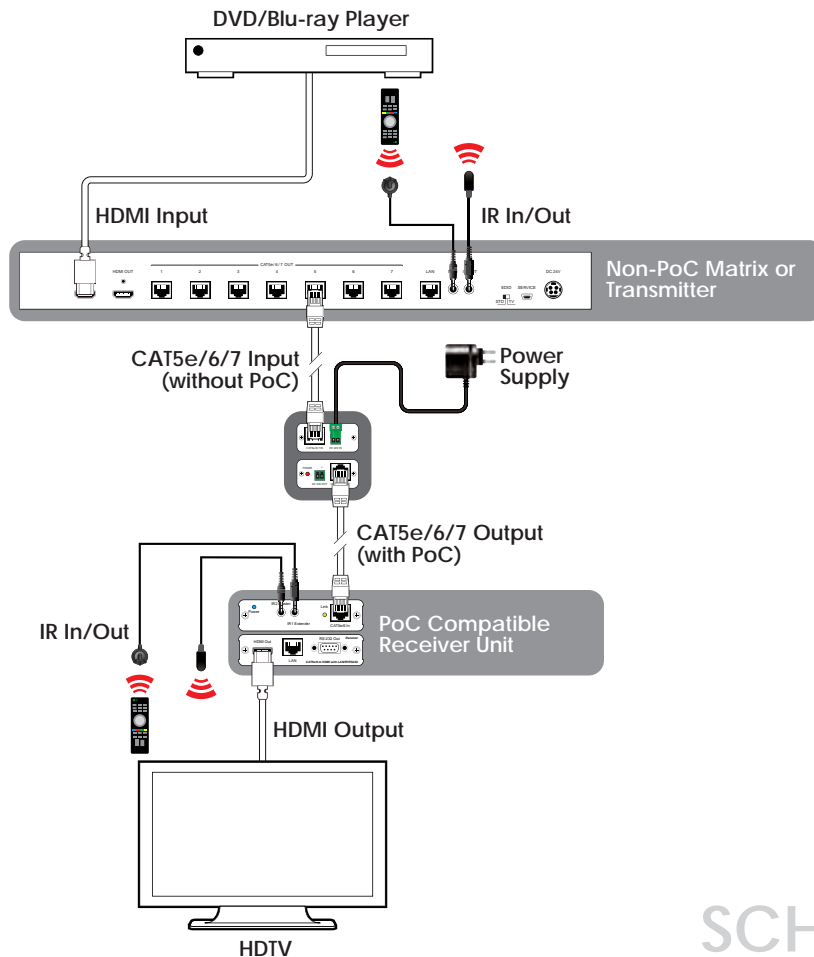
P/N	Inputs	Outputs	TV Resolutions	PC Resolutions	Power Mgt.	CEC Mgt.	EDID Mgt.	Software Inst.
CLUX-UCEC	1xHDMI	1xHDMI	408i-1080p@50/60Hz	VGA-WUXGA (RB)	-	Yes	-	Yes

CPHD-3A



SCHEMATIC

CH-POC1



SCHEMATIC

1 ◆ What is HDMI ?



HDMI (High-Definition Multimedia Interface) is an audio/video interface for transferring uncompressed video data and compressed/uncompressed digital audio data from an HDMI device (Blu-ray player, DVD player, gaming console, computer, cameras, camcorders, tablets, smart phones, and so on) to a compatible computer monitor, video projector, digital television, or digital audio device. HDMI is a digital replacement for existing analog video standards.

◆ What is HDMI 2.0 and what's new in HDMI 2.0?

HDMI 2.0 is backwards compatible with earlier versions of the HDMI 1.x specification, and it significantly increases bandwidth to 18Gbps (from 10.2Gbps of HDMI 1.x) and includes some advanced features as follow:

- Support 4K@50/60 (2160p), RGB 4:4:4 at 8 bit, and RGB 4:2:0 at 8/10/12/16 bit
- Support 4K@24/25/30, RGB 4:4:4 at 8/10/12/16 bit
- Up to 32 audio channels
- Up to 1536kHz audio sample frequency
- Support wide angle theatrical 21:9 video aspect ratio
- CEC extensions provide more expanded command and control

There is currently no solution for existing HDMI 1.x devices to be upgraded with HDMI 2.0 features, because, the new enhanced feature set of HDMI 2.0 requires new hardware and firmware to be implemented.

CYP is among the first few manufacturers to license this new HDMI specifications and become HDMI 2.0 Adopter.

2 ◆ What is HDCP?



High-bandwidth Digital Content Protection (HDCP) is a form of digital copy protection to prevent copying of digital audio and video content as it travels across connections. Types of connections include High-Definition Multimedia Interface (HDMI), Digital Visual Interface (DVI), DisplayPort (DP).

◆ What is HDCP 2.x?

HDCP 2.x stands for the digital content protection specifications released after HDCP 1.x, mainly HDCP 2.0 and HDCP 2.2 versions.

HDCP 2.0 uses industry-standard public-key RSA authentication and AES 128 encryption, to support scenarios requiring compressed content and wireless transmission, while HDCP 1.x technology offers protection mainly for uncompressed content. The interfaces which utilize HDCP 2.0 include DiiVA, NetHD, WHDI, WiHD, and some IP-based extending solutions.

HDCP 2.2 is the latest version of copy protection, it comes with encryption on the keys (encrypted keys between the source and the display) more advanced than previous versions, and it is essentially about UltraHD 4K content. HDCP 2.2 is not backwards compatible with HDCP 1.x, but since only content with resolution of 4K and above will have HDCP 2.2 implementation, the currently popular 1080p playback scenarios (of Blu-ray and HDTV) will not be affected. For example, your current 1080p displays will work fine with new HDCP 2.2 source devices, presuming you're not trying to send content with HDCP 2.2 protection, also, your current Blu-ray player will send 1080p to a 2.2-enabled receiver, or to a 4K TV, with no issues.

CYP has launched its HDCP 2.0 products for years, and for HDCP 2.2, Cypress started developing over solutions with HDCP 2.2 specifications by early 2014, and has already entered mass production for new models.

3 ◆ What are HDMI ARC and HEC for?

ARC (Audio Return Channel) and **HEC (HDMI Ethernet Channel)** both are new features HDMI introduced to the market few years ago.

ARC allows audio from a TV display device to be transmitted over the HDMI cable back to the AV receiver or speakers, this direction is used when the TV is the one that generates or receives the video stream (from tuner or set-top-box) instead of the other equipment. Some CYP HDMI switchers provide additional ARC support to the convenience of professional / home A/V system installation.

HEC provides a bidirectional Ethernet communication at 100 Mbit/s (100BaseT network), over the HDMI cable, which eliminates the need for a separate Ethernet connection to each network-enabled device (HDTV, Blu-ray player, AV receiver, etc.) in a professional / home A/V system installation.

4 ◆ **What is HDMI EDID and how does EDID Management work?**

EDID stands for **Extended Display Information Data**, it is one of the standards defined by Video Electronics Standards Organization (VESA). A digital display or monitor provides EDID to a video source to describe its capabilities such like supported audio and video formats, color space and color depth.

EDID Management basically refers to two types of operation, one is EDID selection and the other is EDID manipulation, both features are widely adopted by Cypress Technology (CYP) in its products of several categories.

Most of CYP HDMI matrixes and splitters carry EDID selection feature which allows user to switch between external EDID (of the display) and internal EDID (built-in). And there are CYP EDID selectors and signal generators, these products allow user to modify the audio and video specifications in the EDID before send it to the video source.

EDID Management helps to solve incompatibility between display and source, and is very useful for system diagnosis for integration of audio and video equipment.

5 ◆ **What is CEC?**

Consumer Electronics Control (CEC) is an HDMI feature designed to allow the user to command and control multiple CEC-enabled devices, that are connected through HDMI, by using only one of their remote controls (for example by controlling an HDTV, DVD player, and Blu-ray player using only the remote control of the TV). CEC also allows for individual CEC-enabled devices to command and control each other without user intervention.

CEC features are widely adopted by CYP HDMI products, and there are 3 major utilities provided by CYP HDMI matrixes, splitters, switchers, extenders and other products.

- **CEC Bypass:** CEC commands will be routed among the connected devices or from the transmitter to receiver of an extender set, just like HDMI video / audio signals, and any CEC-enabled device in the installation chain will respond the command and operate accordingly.
- **CEC System Reset:** CYP HDMI matrix or splitter with this feature can send a built-in CEC command to all connected CEC-enabled HDTV / displays, every 8-10 minutes, to force them to switch their source input selection to HDMI 1 port.
- **CEC Control:** Connecting to a PC/NB and using the bundled software application, CYP CEC Controller can send CEC commands to control any CEC-enabled device in the installation chain.

6 ◆ **What is HDMI Seamless Switching?**

With a traditional HDMI matrix or switcher, switching between multiple HDMI inputs can take five or even up to ten seconds, which is always considered as a noticeable delay, to consumer user experience as well as to professional setup. The delay is majorly caused by the HDCP authentication procedure between the source device and the display, as it's required to be done every time the connection is established, for example when you change to another input on an HDMI switcher.

CYP HDMI Seamless Switching matrix and switcher, developed with the latest technologies, are able to solve this issue by sustaining the connection between multiple source devices and the display, it takes almost no time (only few milliseconds depends on the capability of the connected display) to show video from the next selected input.

7 ◆ **What is LPCM audio?**

Linear Pulse-Code Modulation (LPCM) is a method of encoding up to 8 channels (7.1) of uncompressed audio into a digital video signal, and the term also refers collectively to formats using this method of encoding. HDMI interface supports up to 8-channel of LPCM/192 kHz/24-bit audio, which is generally the default audio output format of Blu-ray player.

8 ◆ **What is UHD or 4K2K resolution?**

UHD is an abbreviation of **Ultra High-Definition** which includes 4K UHD (2160p) and 8K UHD (4320p), which are two latest digital video formats. 4K UHD (or 4K UHDTV) generally refers to a resolution of 3840 pixels×2160 lines (8.3 megapixels, aspect ratio 16:9), while 4K2K can also be a resolution of 4096×2160 (8.8 megapixels, aspect ratio 17:9) for 4K film projection.

9 ◆ **What can I do with 3D video signal when my TV only supports 2D?**

The 2D-only TVs normally cannot handle the incoming 3D video signal, because of the limited processing ability of the TV, the image it presents could be repeated (2 duplicated one) and incorrectly scaled vertically or horizontally. To make it simple, the depth of 3D image is actually constructed by 2 same images overlapping (vertically or horizontally depends on the 3D technology involved), and since a 2D-only TV cannot recognize this kind of signal it will fail to playback properly, CYP 3D to 2D converter can solve the problem by removing the additional image to make 2D signal.

10 ◆ What is the HDBaseT technology?



HDBaseT technology can connect all the entertainment devices in the home through its 5Play™ feature set, converging uncompressed full HD digital video, audio, 100BaseT Ethernet, Power over HDBaseT (POH) and various control signals all through a single 100m/328ft (or 70m/230ft the lite version) CAT5e/6 cable.

◆ What is HDBaseT 2.0?

HDBaseT 2.0 is the latest specification released by HDBaseT Alliance, it adds new features such as USB 2.0 support and HDMI 2.0 capabilities including 4K@60, on top of the original HDBaseT 5Play (transmission of high definition video, audio, Ethernet, power and controls over single Cat5 cable) feature set. While HDBaseT 1.0 addresses the Physical and Data Link layers only, HDBaseT 2.0 adds networking, switching and control point capabilities. HDBaseT 1.0 defined a point-to-point connectivity standard, HDBaseT 2.0 defines point-to-multi point connectivity, thereby providing multi-stream support.

HDMI extenders of HDBaseT 2.0 can transfer 4K content over a longer distance than those of HDBaseT 1.0 specs.

CYP is one of the pioneer manufacturers selected to develop and build products of HDBaseT 2.0 specifications, and Cypress has released its first HDBaseT 2.0 extender set in Q3 2014.

11 ◆ What is a Video Scaler?

A **Video Scaler** is basically a device that can convert the resolution of video signals, resulting a different output video from the input. Besides changing the size (the number of horizontal and vertical pixels) of the original video signals, video scaler products provides additional features including Analog-to-Digital or Digital-to-Analog signal conversion, Noise Reduction, De-interlacing, Comb Filtering, Motion Picture Improvement, Aspect Ratio conversion, Analog Television System conversion, Frame Rate conversion, and others which can optimize the output video signal for given display settings.

12 ◆ What are IP Control and Web GUI?

There are many methods to control your equipment besides pushing the buttons on its panels, protocols such like IR (Infrared), RS-232, and USB are all very common and handy in most cases. However, the utilization of IR / RS-232 / USB can be limited by the distance of either infrared transmission or cable connection, so these protocols can only serve near or local operation.

To the need of operating equipment over long distance and wide area, nowadays many equipment are designed to be controlled on the network (or over IP), CYP has adopted this technology and applied it to several new matrix products. CYP IP-Control-Enabled matrix has its own IP address, just like regular network equipment or computer, and can be accessed over Ethernet network using Telnet or TCP/IP protocol, and the later one comes with webpages which provides all available **Graphic User Interface (Web GUI)** for user to control the equipment.

13 ◆ What is 3G-SDI?

Serial digital interface (SDI) is a family of digital video interfaces standardized by SMPTE (The Society of Motion Picture and Television Engineers). SDI signal is digital and uncompressed, running over coax cable and using BNC connector. SMPTE standards (such like 259M) and associated bitrates define SDI signal to different specs, and the 3 most well-known among the specs are SD-SDI, HD-SDI and 3G-SDI. The 3G-SDI can allow up to 3 Gbps bandwidth which is required by transferring a 1080p signal. CYP has full series of 3G-SDI products, including matrixes, splitters, switchers, converters and scalers, all of them support 3G-SDI and are down-compatible with SD-SDI and HD-SDI interfaces.

HDMI / HDTV resolutions can be basically mapped to SDI interfaces as below:

- **480i/576i:** SD-SDI (SMPTE 259M-C, at bitrates of 270 Mbps)
- **720p/1080i:** HD-SDI (SMPTE 292M, at bitrates of 1.485 Gbps and 1.485/1.001 Gbps)
- **1080p:** 3G-SDI (SMPTE 424M/425M Level A and B, at bitrates of 2.970 Gbps and 2.970/1.001 Gbps)

14

◆ **What is Dolby Digital and does CYP have solution for this technology?**



Dolby Digital (also known as **AC-3**) is a lossy audio compression format. It supports channel configurations from mono up to six discrete channels (referred to as "5.1"). This format first allowed and popularized surround sound. It was first developed for movie theater sound and spread to CD, DVD and Blu-ray, now a common audio format for home entertainment.

The Dolby Digital audio signals from DVD / Blu-ray player are digitally compressed and encoded by Dolby Digital technology, so an AV receiver is required to decode and convert the signals to analog format before users can enjoy the audio from their speakers. To handle Dolby Digital audio, CYP provides much simpler (and much smaller) solution than bulky AV receiver, with the tiny audio decoder gadgets which can do decoding and conversion of Dolby Digital audio in a plug and play fashion.

◆ **What is DTS and does CYP have solution for this technology?**



DTS is a series of multichannel audio technologies owned by DTS, Inc., an American company specializing in digital surround sound formats used for both commercial/theatrical and consumer grade applications. DTS is a common audio format for movie theater sound, CD, DVD and Blu-ray, and home entertainment. Since there is the need in the market to process DTS audio stream, CYP designs and manufactures simple audio gadget models which can do decoding and conversion of DTS audio in a plug and play fashion.

15

◆ **What does μCS mean and what is the purpose?**



μCS stands for **Micro Control System**. CYP released its first μCS model to the automation and control market at the Hong Kong Electronics Fair (Autumn Edition), in October 2014. CYP μCS models are designed to meet the core necessity of connectivity and control in small to medium scale installation scenarios, and the purpose behind the development is to provide an alternative option of straight-forward operation and cost-effectiveness to the professional integrators who might consider to switch over from existing huge and complicated control systems. CYP μCS models support traditional direct control systems such like IR, Relay and DC, as well as indirect control systems such like IR Learning, RS-232, Telnet/Web GUI controls, and altogether the feature set can provide users with PC or APP based control systems a great flexibility.

16

◆ **Where can I get firmware update for my CYP products?**

To obtain updated firmware or software for CYP products, end user needs to contact his/her local distributor. Due to certain hardware tools and software applications are needed to update most of CYP products, and the updating procedure requires certain skills and expertise to be performed properly, we do not provide online service of firmware update at this moment and it's not recommended for end-users to do update by themselves without the technical support from CYP distributors.

◆ **What's CYP's warranty and repair policy?**

At CYP, we are committed to offer high standard after-sales service, and we offer 18 months warranty period starting from the day the product is manufactured. End users must contact their local distributor from where the fault unit(s) was/were purchased to access to the repair service. CYP will not accept direct return from end user unless the faulty issue was reported to the distributor and was not addressed appropriately.

◆ **Where can I buy CYP products?**

We have distributors throughout the world who are more than happy to help end users. Simply visit our official website at www.cypress.com.tw and go to the Distributors Page to look for the distributors at your location. Or, you can contact us directly at the email address below:

- Product Inquiry Email 1: cypress@cypress.com.tw
- Product Inquiry Email 2: cypress2@ms35.hinet.net

◆ **Where can I get more details about the products in this catalogue?**

Please visit our official website at www.cypress.com.tw and go to the Product Page of the products you're interested, and download the user manual for product feature introduction and operation guideline.

► HDBaseT Solutions ◀

P/N	Inputs	Outputs	4K	3D	HD Audio	IR	RS-232	Ethernet	PoC	Cable Length	HDCP
CMPRO-U4H4CVE	4xHDMI	4xCAT5e/6/7	Yes	Yes	Yes	Yes	Yes	Yes	Yes	100m (328ft)	Yes
CMPRO-U4H4CVPL	4xHDMI	4xCAT5e/6/7	Yes	Yes	Yes	Yes	Yes	-	Yes	70m (230ft)	Yes
CMPRO-U8H8CVE	8xHDMI	8xCAT5e/6/7	Yes	Yes	Yes	Yes	Yes	Yes	Yes	100m (328ft)	Yes
CMPRO-U8H8CVPL	8xHDMI	8xCAT5e/6/7	Yes	Yes	Yes	Yes	Yes	-	Yes	70m (230ft)	Yes
CMSI-18H8CVE	8xHDMI	8xCAT5e/6/7	-	Yes	Yes	Yes	Yes	Yes	Yes	100m (328ft)	Yes
CMSI-424E	4xHDMI	2xHDMI, 4xCAT5e/6/7	-	Yes	Yes	Yes	Yes	Yes	Yes	100m (328ft)	Yes
CMSI-424L	4xHDMI	2xHDMI, 4xCAT5e/6/7	-	Yes	Yes	Yes	Yes	-	-	100m (328ft)	Yes
CMSI-46PL	4xHDMI	2xHDMI, 4xCAT5e/6/7	-	Yes	Yes	Yes	Yes	-	Yes	70m (230ft)	Yes
CMSI-48E	4xHDMI	4xHDMI, 4xCAT5e/6/7	-	Yes	Yes	Yes	Yes	Yes	Yes	100m (328ft)	Yes
CMSI-4H4CV	4xHDMI	4xCAT5e/6/7	-	Yes	Yes	Yes	Yes	-	Yes	100m (328ft)	Yes
CMSI-4H4CVL	4xHDMI	4xCAT5e/6/7	-	Yes	Yes	Yes	Yes	-	-	70m (230ft)	Yes
CMSI-8H8CV	8xHDMI	8xCAT5e/6/7	-	Yes	Yes	Yes	Yes	-	Yes	100m (328ft)	Yes
CMSI-8H8CVE	8xHDMI	8xCAT5e/6/7	-	Yes	Yes	Yes	Yes	Yes	Yes	100m (328ft)	Yes
CMSI-8H8CVL	8xHDMI	8xCAT5e/6/7	-	Yes	Yes	Yes	Yes	-	-	70m (230ft)	Yes

P/N	Inputs	Outputs	4K	3D	HD Audio	IR	RS-232	Ethernet	PoC	Cable Length	HDCP
CHDBT-1H1CE	1xHDMI	1xHDMI, 1xCAT5e/6/7	Yes	Yes	Yes	Yes	Yes	Yes	Yes	100m (328ft)	Yes
CHDBT-1H1CL	1xHDMI	1xHDMI, 1xCAT5e/6/7	Yes	Yes	Yes	Yes	Yes	-	-	70m (230ft)	Yes
CHDBT-1H1CPL	1xHDMI	1xHDMI, 1xCAT5e/6/7	Yes	Yes	Yes	Yes	Yes	-	Yes	70m (230ft)	Yes
CHDBT-1H2CE	1xHDMI	1xHDMI, 2xCAT5e/6/7	Yes	Yes	Yes	Yes	Yes	Yes	Yes	100m (328ft)	Yes
CHDBT-1H3CE	1xHDMI	1xHDMI, 3xCAT5e/6/7	Yes	Yes	Yes	Yes	-	Yes	Yes	100m (328ft)	Yes
CHDBT-1H3CL	1xHDMI	1xHDMI, 3xCAT5e/6/7	Yes	Yes	Yes	Yes	-	-	-	70m (230ft)	Yes
CHDBT-1H3CPL	1xHDMI	1xHDMI, 3xCAT5e/6/7	Yes	Yes	Yes	Yes	-	-	Yes	70m (230ft)	Yes
CHDBT-1H7CE	1xHDMI	1xHDMI, 7xCAT5e/6/7	Yes	Yes	Yes	Yes	-	Yes	Yes	100m (328ft)	Yes
CHDBT-1H7CL	1xHDMI	1xHDMI, 7xCAT5e/6/7	Yes	Yes	Yes	Yes	-	-	-	70m (230ft)	Yes
CHDBT-1H7CPL	1xHDMI	1xHDMI, 7xCAT5e/6/7	Yes	Yes	Yes	Yes	-	-	Yes	70m (230ft)	Yes
CHDBT-2H8CE	2xHDMI	1xHDMI, 8xCAT5e/6/7	Yes	Yes	Yes	Yes	Yes	Yes	Yes	100m (328ft)	Yes

P/N	Inputs	Outputs	4K	3D	HD Audio	IR	RS-232	Ethernet	PoC	Cable Length	HDCP
CDHBR-2HE	1xCAT5e/6/7	2xHDMI	Yes	Yes	Yes	Yes	Yes	Yes	Yes	100m (328ft)	Yes
CDVI-1109TXC CDVI-1109RXC	1xDVI	1xDVI	Yes	Yes	Yes	Yes	Yes	Yes	Yes	100m (328ft)	Yes
CDVI-513TXL CDVI-513RXL	1xDVI	1xDVI	Yes	Yes	Yes	-	-	-	-	70m (230ft)	Yes
CH-1109TXC CH-1109RXC	1xHDMI	1xHDMI	Yes	Yes	Yes	Yes	Yes	Yes	Yes	100m (328ft)	Yes
CH-1507TX CH-1507RX	1xHDMI	1xHDMI	Yes	Yes	Yes	Yes	Yes	Yes	Yes	100m (328ft)	Yes
CH-1527TX CH-1527RX	1xHDMI	1xHDMI	Yes	Yes	Yes	Yes	Yes	Yes	Yes	100m (328ft)	Yes
CH-1601TX CH-1601RX	1xHDMI	1xHDMI	Yes	Yes	Yes	Yes	Yes	Yes	Yes	100m (328ft)	Yes
CH-2507TX CH-2507RX	1xHDMI	1xHDMI	Yes	Yes	Yes	Yes	Yes	Yes	Yes	100m (328ft)	Yes
CH-501TX CH-501RX	1xHDMI	1xHDMI	Yes	Yes	Yes	Yes	Yes	-	-	100m (328ft)	Yes
CH-506TX CH-506RX	1xHDMI	1xHDMI	Yes	Yes	Yes	Yes	Yes	-	-	100m (328ft)	Yes
CH-506TXL CH-506RXL	1xHDMI	1xHDMI	Yes	Yes	Yes	Yes	Yes	-	-	100m (328ft)	Yes
CH-506TXPL CH-506RXPL	1xHDMI	1xHDMI	Yes	Yes	Yes	Yes	Yes	-	Yes	70m (230ft)	Yes
CH-506TXPLBD CH-506RXPLBD	1xHDMI	1xHDMI	Yes	Yes	Yes	Yes	Yes	-	Yes	70m (230ft)	Yes
CH-506TXWP CH-506RXWP	1xHDMI	1xHDMI	Yes	Yes	Yes	Yes	Yes	-	Yes	100m (328ft)	Yes
CH-507TX CH-507RX	1xHDMI	1xHDMI	Yes	Yes	Yes	Yes	Yes	Yes	Yes	100m (328ft)	Yes
CH-507TXBD CH-507RXBD	1xHDMI	1xHDMI	Yes	Yes	Yes	Yes	Yes	Yes	Yes	100m (328ft)	Yes
CH-507TXWPBD CH-507RXWPBD	1xHDMI	1xHDMI	Yes	Yes	Yes	Yes	Yes	Yes	Yes	100m (328ft)	Yes
CH-507TXWPUS CH-507RXWPUS	1xHDMI	1xHDMI	Yes	Yes	Yes	Yes	Yes	Yes	Yes	100m (328ft)	Yes
CH-507RXWP	1xCAT5e/6/7	1xHDMI	Yes	Yes	Yes	Yes	Yes	Yes	Yes	100m (328ft)	Yes

P/N	Inputs	Outputs	4K	3D	HD Audio	IR	RS-232	Ethernet	PoC	Cable Length	HDCP
CH-513TXL CH-513RXL CH-513TXLN CH-513RXLN	1xHDMI	1xHDMI	Yes	Yes	Yes	Yes	Yes	-	-	70m (230ft)	Yes
CH-514TXL CH-514RXL CH-514TXLN CH-514RXLN	1xHDMI	1xHDMI	Yes	Yes	Yes	Yes	-	-	-	70m (230ft)	Yes
CH-514RXWPL	1xCAT5e/6/7	1xHDMI	Yes	Yes	Yes	Yes	-	-	-	70m (230ft)	Yes
CH-515RXP1	1xCAT5e/6/7	1xHDMI	Yes	Yes	Yes	-	-	Yes	Yes	100m (328ft)	Yes
CH-516TXAS	1xVGA, 1xCV	1xCAT5e/6/7	-	-	-	Yes	Yes	Yes	Yes	100m (328ft)	Yes
CH-517RXHS	1xCAT5e/6/7	1xHDMI	-	-	-	Yes	Yes	Yes	Yes	100m (328ft)	Yes
CH-520TXAHS	1xHDMI, 1xVGA	1xCAT5e/6/7	-	-	-	Yes	Yes	Yes	Yes	100m (328ft)	Yes
CH-521RXHS	1xHDMI, 1xCAT5e/6/7	1xHDMI	-	-	-	Yes	Yes	Yes	Yes	100m (328ft)	Yes
CH-526RX	1xCAT5e/6/7	2xHDMI	Yes	Yes	Yes	Yes	Yes	Yes	Yes	100m (328ft)	Yes
CH-526RXPL	1xCAT5e/6/7	2xHDMI	Yes	Yes	Yes	Yes	Yes	-	Yes	70m (230ft)	Yes
CHDBX-1C	1xCAT5e/6/7	1xCAT5e/6/7	Yes	Yes	Yes	Yes	Yes	Yes	Yes	100m (328ft)	Yes
CHDBX-1CL	1xCAT5e/6/7	1xCAT5e/6/7	Yes	Yes	Yes	Yes	Yes	-	Yes	70m (230ft)	Yes
CHDBX-1H1CE	1xCAT5e/6/7	1xHDMI, 1xCAT5e/6/7	Yes	Yes	Yes	Yes	Yes	Yes	Yes	100m (328ft)	Yes
CHDBX-1H1CPL	1xCAT5e/6/7	1xHDMI, 1xCAT5e/6/7	Yes	Yes	Yes	Yes	Yes	-	Yes	70m (230ft)	Yes
CSI-8H8CV2IR	8xHDMI	8xCAT5e/6/7	Yes	Yes	Yes	Yes	-	-	Yes	100m (328ft)	Yes
CSI-8H8CVTX	8xHDMI	8xCAT5e/6/7	Yes	Yes	Yes	-	-	-	Yes	100m (328ft)	Yes

▶ GROUP 1: MATRIXES ◀

P/N	Inputs	Outputs	4K	3D	ARC	HEC	Deep Color	HD Audio	CEC	EDID	HDCP
CCMX-42	4xComponent Video	2xComponent Video	-	-	-	-	-	-	-	-	-
CCMX-44	4xComponent Video	4xComponent Video	-	-	-	-	-	-	-	-	-
CCMX-44DA	4xComponent Video	4xComponent Video	-	-	-	-	-	-	-	-	-
CDPS-44SM	4xHDMI	4xHDMI	-	-	-	-	Yes	Yes	-	Yes	Yes
CDPS-6H2HFS	6xHDMI	2xHDMI	Yes	Yes	-	-	Yes	Yes	-	Yes	Yes
CDPS-U4H4HSA	4xHDMI	4xHDMI	Yes	Yes	-	-	Yes	Yes	-	Yes	Yes
CHMX-22	2xHDMI	2xHDMI	-	-	-	-	-	-	-	Yes	Yes
CHMX-24	2xHDMI	4xHDMI	-	-	-	-	-	-	-	Yes	Yes
CHMX-44	4xHDMI	4xHDMI	-	-	-	-	-	-	-	Yes	Yes
CIN-40F	4xOptical Fiber	-	-	-	-	-	-	-	-	-	-
CIN-4S	4xSDI	-	-	-	-	-	-	-	-	-	-
CIN-8CV-5PLAY	8xCAT5e/6/7	-	Yes	Yes	-	-	Yes	Yes	-	Yes	Yes
CIN-8DS	8xDVI	-	-	Yes	-	-	Yes	Yes	-	Yes	Yes
CIN-8HS	8xHDMI	-	-	Yes	-	-	Yes	Yes	-	Yes	Yes
CIN-8HS4K	8xHDMI	-	Yes	Yes	-	-	Yes	Yes	-	Yes	Yes
CIN-8VGA	8xVGA	-	-	-	-	-	-	-	-	Yes	-
CMIR-44	(4+1)xIR Extender	(4+1)xIR Blaster	-	-	-	-	-	-	-	-	-
CMIR-882	(8+8+1)xIR Extender	(8+8+1)xIR Blaster	-	-	-	-	-	-	-	-	-
CMLUX-22S	2xHDMI	2xHDMI	-	-	-	-	Yes	Yes	-	Yes	Yes
CMLUX-24S	2xHDMI	4xHDMI	-	Yes	-	-	Yes	Yes	-	Yes	Yes
CMLUX-42S	4xHDMI	2xHDMI	-	Yes	-	-	Yes	Yes	-	Yes	Yes
CMLUX-44E	4xHDMI	4xHDMI	-	Yes	-	-	Yes	Yes	-	Yes	Yes
CMLUX-44S	4xHDMI	4xHDMI	-	Yes	-	-	Yes	Yes	-	Yes	Yes
CMLUX-4H4CAT	4xHDMI	4xDual CAT6	-	Yes	-	-	Yes	Yes	-	Yes	Yes
CMPRO-4H2H	4xHDMI	2xHDMI	Yes	Yes	-	-	Yes	Yes	-	Yes	Yes
CMPRO-4H4H	4xHDMI	4xHDMI	Yes	Yes	-	-	Yes	Yes	-	Yes	Yes
CMSDI-44	4xSDI	4xSDI	-	-	-	-	-	-	-	-	-
CMSDI-84	8xSDI	4xSDI	-	-	-	-	-	-	-	-	-
CMSDI-124	12xSDI	4xSDI	-	-	-	-	-	-	-	-	-
CMSDI-164	16xSDI	4xSDI	-	-	-	-	-	-	-	-	-
CMSDI-1616S	16xSDI	16xSDI	-	-	-	-	-	-	-	-	-
CMSI-88	8xHDMI, DVI, CAT5e/6/7, VGA	8xHDMI, DVI, CAT5e/6/7	Yes	Yes	-	-	Yes	Yes	-	Yes	Yes
CMSI-1616	16xHDMI, DVI, CAT5e/6/7, VGA	16xHDMI, DVI, CAT5e/6/7	Yes	Yes	-	-	Yes	Yes	-	Yes	Yes
CMSI-3232	32xHDMI, DVI, CAT5e/6/7, VGA	32xHDMI, DVI, CAT5e/6/7	Yes	Yes	-	-	Yes	Yes	-	Yes	Yes
CMSI-8D8DS	8xDVI	8xDVI	-	Yes	-	-	Yes	Yes	-	Yes	Yes
CMSI-8D8DSA	8xDVI	8xDVI	-	Yes	-	-	Yes	Yes	-	Yes	Yes
CMSI-8H8HC	8xHDMI	8xHDMI, 8xDual CAT6	-	Yes	-	-	Yes	Yes	-	Yes	Yes
CMSI-8H8HS	8xHDMI	8xHDMI	-	Yes	-	-	Yes	Yes	-	Yes	Yes
COU-2H2S	-	2xHDMI, 2xSDI	-	-	-	-	-	-	-	-	-
COU-40F	-	4xOptical Fiber	-	-	-	-	-	-	-	-	-
COU-4S	-	4xSDI	-	-	-	-	-	-	-	-	-
COU-8CV-4PLAY	-	8xCAT5e/6/7	-	Yes	-	-	Yes	Yes	-	Yes	Yes
COU-8CV-5PLAY	-	8xCAT5e/6/7	Yes	Yes	-	-	Yes	Yes	-	Yes	Yes
COU-8CVL-3PLAY	-	8xCAT5e/6/7	-	Yes	-	-	Yes	Yes	-	Yes	Yes
COU-8DS	-	8xDVI	-	Yes	-	-	Yes	Yes	-	Yes	Yes
COU-8HS	-	8xHDMI	-	Yes	-	-	Yes	Yes	-	Yes	Yes
COU-8HS4K	-	8xHDMI	Yes	Yes	-	-	Yes	Yes	-	Yes	Yes

P/N	Inputs	Outputs	4K	3D	ARC	HEC	Deep Color	HD Audio	CEC	EDID	HDCP
CHDMI-42E	4xHDMI	2xHDMI	-	-	-	-	-	-	-	-	Yes
CLUX-21N	2xHDMI	1xHDMI	-	Yes	-	-	Yes	Yes	Bypass	-	Yes
CLUX-31N	3xHDMI	1xHDMI	-	Yes	-	-	Yes	Yes	Bypass	-	Yes
CLUX-41N	4xHDMI	1xHDMI	-	Yes	-	-	Yes	Yes	Bypass	-	Yes
CLUX-31GAME	3xHDMI	1xHDMI	-	Yes	-	-	Yes	Yes	Bypass	-	Yes
CLUX-31SY	3xHDMI	1xHDMI	-	Yes	-	-	Yes	Yes	-	-	Yes
CLUX-41SY	4xHDMI	1xHDMI	-	Yes	-	-	Yes	Yes	-	-	Yes
CLUX-41AP	4xHDMI	1xHDMI	-	Yes	-	-	Yes	Yes	-	-	Yes
CLUX-41AT	4xHDMI	1xHDMI	-	Yes	-	-	Yes	Yes	System Reset	-	Yes
CLUX-41W	4xHDMI	1xHDMI	-	Yes	-	-	Yes	Yes	Bypass	-	Yes
CLUX-42E	4xHDMI	2xHDMI	-	Yes	-	-	Yes	Yes	-	-	Yes
CLUX-42S	4xHDMI	2xHDMI	-	Yes	-	-	Yes	Yes	-	-	Yes
CLUX-42SA	4xHDMI	2xHDMI	-	Yes	-	-	Yes	Yes	-	-	Yes
CLUX-4S2	4xHDMI	2xHDMI	-	Yes	-	-	Yes	Yes	Bypass	-	Yes
CLUX-61	6xHDMI	1xHDMI	-	Yes	-	-	Yes	Yes	-	-	Yes
CLUX-81	8xHDMI	1xHDMI	-	Yes	-	-	Yes	Yes	-	-	Yes
CLUX-C41C	4xHDMI	1xHDMI	-	Yes	-	-	Yes	Yes	Bypass	-	Yes
CLUX-C61C	6xHDMI	1xHDMI	-	Yes	-	-	Yes	Yes	Bypass	-	Yes
CLUX-C81C	8xHDMI	1xHDMI	-	Yes	-	-	Yes	Yes	Bypass	-	Yes
CPCD-41AR	4xVGA	1xVGA	-	-	-	-	-	-	-	-	-
CPRO-3D41GAME	4xHDMI	1xHDMI	-	Yes	Yes	-	Yes	Yes	Bypass	-	Yes
CPRO-3D42S	4xHDMI	2xHDMI	-	Yes	Yes	Yes	Yes	Yes	Bypass	Yes	Yes
CPRO-41W	4xHDMI	1xHDMI	-	Yes	Yes	-	Yes	Yes	Bypass	-	Yes
CPRO-U4H1HFS	4xHDMI	1xHDMI	Yes	Yes	-	-	Yes	Yes	-	Yes	Yes
CVSD-41ARN	4xSV, 4xCV	1xSV, 1xCV	-	-	-	-	-	-	-	-	-

► GROUP 4: EXTENDERS & REPEATERS ◀

P/N	Inputs	Outputs	Cable Type	Cable Length	Ethernet	4K	3D	Deep Color	HD Audio	HDCP
CA-COMPAT CA-COMP50R CA-COMP100R	1xVGA/ Component Video	1xVGA/ Component Video	Single CAT5e/6/7	50m (165ft)/50R 100m (330ft)/100R	-	-	-	-	-	-
CA-DVIAT CA-DVI100R CA-DVI250R	1xDVI	1xDVI	Dual CAT5e/6/7	100m (330ft)/100R 250m (825ft)/250R	-	-	-	-	-	-
CA-HDMIAT CA-HDMI50R CA-HDMI100R CA-HDMI150R CA-HDMI250R	1xHDMI	1xHDMI	Dual CAT5e/6/7	50m (165ft)/50R 100m (330ft)/100R 150m (495ft)/150R 250m (825ft)/250R	-	-	-	-	-	-
CA-USBAT CA-USB100R	1xUSB	4xUSB	Single CAT5e/6/7	100m (330ft)	-	-	-	-	-	-
CA-USBHUT CA-USBHU100R	1xHDMI, 1xUSB	1xHDMI, 4xUSB	Single CAT5e/6/7	100m (330ft)	Yes	-	-	Yes	Yes	-
CA-USBLT CA-USBL70R	1xUSB	4xUSB	Single CAT5e/6/7	70m (230ft)	-	-	-	-	-	-
CA-USBST CA-USBS100R	1xUSB	4xUSB	Single CAT5e/6/7	100m (330ft)	-	-	-	-	-	-
CAC-TXA CAC-RXA	1xHDMI	1xHDMI	Five Coaxial Cables	100m (330ft)	-	-	-	Yes	Yes	Yes
CETH-4HDI	1xRJ45, 1xUSB	4xHDMI	Single CAT5e/6/7	100m (330ft)	Yes	-	-	-	-	-
CETH-4USB	1xRJ45, 1xUSB	4xUSB	Single CAT5e/6/7	100m (330ft)	Yes	-	-	-	-	-
CH-106TXN CH-106RXN	1xHDMI	1xHDMI	Dual CAT6/7	45m (150ft)@8-bit 20m (66ft)@12-bit	-	-	Yes	Yes	Yes	Yes
CH-107RXN	1xCAT5e/6/7	1xHDMI	Single CAT5e/6/7	45m (150ft)@8-bit 10m (33ft)@12-bit	-	-	Yes	Yes	Yes	Yes
CH-110TX CH-110RX	1xHDMI	1xHDMI	Single CAT5e/6/7	45m (150ft)@8-bit 10m (33ft)@12-bit	-	-	Yes	Yes	Yes	Yes
CH-1103TX CH-1103RX	1xHDMI	1xHDMI	Dual CAT6/7	45m (150ft)@8-bit 15m (50ft)@12-bit	-	-	Yes	Yes	Yes	Yes
CH-1106TX CH-1106RXN	1xHDMI	1xHDMI	Dual CAT6/7	45m (150ft)@8-bit 20m (66ft)@12-bit	-	-	Yes	Yes	Yes	Yes
CH-1107EX	1xHDMI, 1xCAT5e/6/7	1xHDMI, 1xCAT5e/6/7	Single CAT5e/6/7	45m (150ft)@8-bit 10m (33ft)@12-bit	-	-	Yes	Yes	Yes	Yes
CH-1107TX	1xHDMI	1xCAT5e/6/7	Single CAT5e/6/7	45m (150ft)@8-bit 10m (33ft)@12-bit	-	-	Yes	Yes	Yes	Yes
CH-304TX CH-304RX	1xCOAX, 1xTOSLINK	1xCOAX, 1xTOSLINK	Single CAT5e/6/7	150m (495ft)	-	-	-	-	-	-
CH-316TX CH-316RX	1xHDMI, 1xUSB	1xHDMI, 4xUSB	Single CAT5e/6/7	100m (330ft)	Yes	-	-	Yes	Yes	-
CIR-03 CIR-12	1xIR	5xIR/IR (Local)	Single CAT5e/6/7	250m (825ft)	-	-	-	-	-	-
CLUX-SDI2OF CLUX-OF2SDI	1xSDI	1xSDI	Optical Fiber	10km (6.2mi)	-	-	-	-	-	-
COH-TX COH-RX	1xHDMI	1xHDMI	Duplex Optical Fiber	300m (1000ft)	-	-	-	-	-	Yes
COH-TX1 COH-RX1	1xHDMI	1xHDMI	Duplex Optical Fiber	300m (1000ft)	-	-	-	-	-	Yes
COH-TX2 COH-RX2	1xHDMI	1xHDMI	Duplex Optical Fiber	300m (1000ft)	-	Yes	Yes	Yes	Yes	Yes
CRS-232TX CRS-232RX	1xRS-232	1xRS-232	Single CAT5e/6/7	250m (825ft)	-	-	-	-	-	-

P/N	Inputs	Outputs	Cable Type	Cable Length	Ethernet	4K	3D	Deep Color	HD Audio	HDCP
DCT-30TX DCT-30RX	2xTOSLINK	2xTOSLINK	Single CAT5e/6/7	300m (1000ft)	-	-	-	-	-	-
DCT-32TX DCT-32RX	4xRCA	4xRCA	Single CAT5e/6/7	300m (1000ft)	-	-	-	-	-	-

P/N	Inputs	Outputs	Input Cable Length	Output Cable Length	4K	3D	Deep Color	HD Audio	HDCP
CH-101	1xHDMI	1xHDMI	15m (50ft)	10m (33ft)	-	-	Yes	Yes	Yes
CH-108	1xDual CAT6	1xDual CAT6	45m (150ft)@8-bit 15m (50ft)@12-bit	45m (150ft)@8-bit 15m (50ft)@12-bit	-	Yes	Yes	Yes	Yes
CP-1269HM	1xHDMI	1xHDMI	40m (132ft)	10m (33ft)	-	-	-	-	Yes
CP-263D	1xDVI	1xDVI	12m (40ft)	12m (40ft)	-	-	-	-	Yes
CP-263H	1xHDMI	1xHDMI	12m (40ft)	12m (40ft)	-	-	-	-	Yes
CPRO-11SR	1xHDMI	1xHDMI	10m (33ft)	10m (33ft)	Yes	Yes	Yes	Yes	Yes
CPRO-UHH	1xHDMI	1xHDMI	15m (50ft)	15m (50ft)	Yes	Yes	Yes	Yes	Yes
CS-HH	1xHDMI	1xHDMI	15m (50ft)	15m (50ft)	-	Yes	Yes	Yes	Yes

▶ GROUP 5: SCALERS ◀

P/N	Inputs	Outputs	Upscaled TV Resolutions	Upscaled PC Resolutions	Downscaled TV Resolutions	Downscaled PC Resolutions	Frame Rate Conversion
CDPS-84HB	4xHDMI, 2xCAT5e/6/7, 1xVGA, 1xCV	2xHDMI, 1xCAT5e/6/7, 1xHDMI (Bypass)	1080p@50/60	WUXGA@60 (RB)	480p/576p	VGA@60	50/60
CDPS-US100R	1xHDMI	2xHDMI, 1xCAT5e/6/7	4K@24/25/30	WUXGA@60 (RB)	480i/576i	VGA@60	50/60
CHQV-2H	1xHDMI	1xHDMI	1080p@50/60	-	480p/576p	-	As is
CHQV-3CH	1xComponent Video, 1xCV	1xHDMI	1080p@50/60	-	-	-	As is
CLUX-M2SDI	1xHDMI, 1xVGA, 1xComponent Video, 1xCV	1xHDMI, 1xSDI	1080p@50/60 SMPTE 424M/425M	-	480i/576i SMPTE 292M	-	50/60
CLUX-SDI2CSS	1xSDI	1xSV, 1xCV	-	-	NTSC/PAL	-	50/60
CLUX-SDI2HS	1xSDI	1xHDMI	1080p@50/60	WUXGA@60 (RB)	480p/576p	VGA@60	50/60
CLUX-SDI2VS	1xSDI	1xVGA/Component Video	1080p@50/60	WUXGA@60 (RB)	480p/576p	VGA@60	50/60
CM-347ST	1xYCbCr, 1xSV, 1xCV	1xVGA/Component Video	1080i@50/60 (Pseudo)	SXGA@60	480p/576p	VGA@60	50/60
CM-348ST	1xYCbCr, 1xSV, 1xCV	1xDVI-D	1080i@50/60 (Pseudo)	SXGA@60	480p/576p	VGA@60	50/60
CM-388M	1xHDMI	1xSV, 1xCV, 1xHDMI (Bypass)	-	-	NTSC/PAL	-	50/60
CM-388N	1xHDMI	1xSV, 1xCV, 1xHDMI (Bypass)	-	-	NTSC/PAL	-	50/60
CM-398DI	1xSV, 1xCV	1xDVI-I	1080p@50/60	UXGA@60	-	-	50 to 60
CM-398H	1xSV, 1xCV	1xHDMI	1080p@50/60	UXGA@60	-	-	50 to 60
CM-398M	1xSV, 1xCV	1xVGA/Component Video	1080p@50/60	UXGA@60	-	-	50 to 60
CP-251F	1xVGA/Component Video	1xVGA/Component Video	1080i@50/60 (Pseudo)	SXGA@75	480i/576i	VGA@60	50/60
CP-252	1xVGA/Component Video	1xDVI-I	1080i@50/60 (Pseudo)	SXGA@75	480i/576i	VGA@60	50/60
CP-254	1xDVI-I	1xDVI-I	1080i@50/60 (Pseudo)	SXGA@75	480i/576i	VGA@60	50/60
CP-255D CP-255DN	1xDVI, 1xVGA, 1xComponent Video	1xDVI, 1xVGA, 1xComponent Video	1080p@50/60	WUXGA@60 (RB)	480i/576i	VGA@60	50/60
CP-255H	1xHDMI, 1xVGA, 1xComponent Video	1xHDMI	1080p@50/60	WUXGA@60 (RB)	480i/576i	VGA@60	50/60
CP-255I	1xHDMI, 1xVGA, 1xComponent Video, 1xSV, 1xCV	1xHDMI	1080p@50/60	WUXGA@60 (RB)	480i/576i	VGA@60	50/60
CP-255ID	1xDVI, 1xVGA, 1xSV, 1xCV	1xDVI	1080p@50/60	WUXGA@60 (RB)	480p/576p	VGA@60	50/60
CP-259H CP-259HN	1xHDMI	1xHDMI	1080p@50/60	WUXGA@60 (RB)	480p/576p	VGA@60	50/60
CP-290	1xDVI, 1xVGA, 1xComponent Video	1xHDMI	1080p@50/60	WUXGA@60 (RB)	720p@50/60	XGA@60	As is
CP-291 CP-291N	1xVGA/Component Video	2xVGA/Component Video	1080p@50/60	WUXGA@60 (RB)	480p/576p	VGA@60	50/60
CP-292	1xDVI-I	1xComponent Video	1080p@50/60	-	480i/576i	-	50/60
CP-293 CP-293N	1xVGA	1xHDMI	1080p@50/60	WUXGA@60 (RB)	480p/576p	VGA@60	50/60
CP-294	1xComponent Video	1xHDMI	1080p@50/60	WUXGA@60 (RB)	480i/576i	VGA@60	50/60
CP-295N CP-295NN	1xSV, 1xCV	1xHDMI	1080p@50/60	WUXGA@60 (RB)	-	-	50/60
CP-298D	1xDVI	1xDVI	1080p@60	WUXGA@60 (RB)	480p	VGA@60	60 only
CP-298H	1xHDMI	1xHDMI	1080p@60	WUXGA@60 (RB)	720p@60	VGA@60	60 only
CP-300VD	1xVGA	1xDVI-D	-	WUXGA@60 (RB)	-	VGA@60	60, 72, 75, 85 to 60
CP-302M	1xHDMI	1xHDMI	1080p@60	WUXGA@60 (RB)	480p/576p	VGA@60	50/60
CP-304	1xVGA	1xHDMI	1080p@50/60	WUXGA@60 (RB)	480p/576p	VGA@60	50/60
CPRO-12ES	1xHDMI	2xHDMI	1080p@50/60	WUXGA@60 (RB)	480p/576p	VGA@60	-
CPRO-2E4KS	1xHDMI	2xHDMI	4K@24/25/30	-	1080p@24/25/30	-	As is
CPT-385AM	1xVGA	1xSV, 1xCV	-	-	NTSC/PAL	-	50/60
CPT-387HD	1xComponent Video	1xSV, 1xCV, 1xComponent Video (Bypass)	-	-	NTSC/PAL	-	50/60

P/N	Inputs	Outputs	Upscaled TV Resolutions	Upscaled PC Resolutions	Downscaled TV Resolutions	Downscaled PC Resolutions	Frame Rate Conversion
CS-801H	2×HDMI, 1×DP, 1×VGA	1×HDMI	1080p@60	WUXGA@60 (RB)	480p	VGA@60	60 only
CS-802D	1×DVI-DL, 1×mDP, 1×VGA	1×HDMI	1080p@60	WUXGA@60 (RB)	480p	VGA@60	60 only
CSC-5500	3×HDMI, 3×VGA, 1×Component Video, 1×SV, 1×CV	2×HDMI, 1×VGA	1080p@50/60	WUXGA@60 (RB)	480p/576p	VGA@60	50/60
CSDI-12SR	1×SDI	2×SDI	SMPTE 424M/425M	-	SMPTE 259M-C	-	-
CSLUX-1080P	1×SCART	1×HDMI	1080p@50/60	-	-	-	As is
CSLUX-300	2×HDMI, 1×VGA, 1×Component Video, 1×SV, 1×CV	1×HDMI, 1×VGA	1080p@50/60	WUXGA@60 (RB)	480p/576p	VGA@60	50/60
CSLUX-300I	2×HDMI, 1×SDI, 1×VGA, 1×Component Video, 1×SV, 1×CV	1×HDMI, 1×VGA, 1×SDI (Loop)	1080p@50/60 SMPTE 424M/425M	WUXGA@60 (RB)	480p/576p SMPTE 259M-C	VGA@60	50/60
CSO-T2	1×HDMI, 1×Component Video, 1×SV, 1×CV	1×HDMI, 1×Component Video	1080p@24/50/60	WUXGA@60 (RB)	480p/576p	VGA@60	24/50/60
CV-400H	1×HDMI	1×CV	-	-	NTSC/PAL	-	50/60
CV-401D	1×DVI-D	1×CV	-	-	NTSC/PAL	-	50/60
CV-401H	1×HDMI	1×CV	-	-	NTSC/PAL	-	50/60
CV-401V	1×VGA/Component Video	1×CV	-	-	NTSC/PAL	-	50/60
CVLUX-1080P	1×SV, 1×CV	1×HDMI	1080p@50/60	VGA@60	-	-	As is
CVMDP-1080P	1×SV, 1×CV	1×mDP	1080p@50/60	VGA@60	480p/576p	VGA@60	50/60

► GROUP 6: VIDEO CONVERSION ◀

P/N	Inputs	Outputs	Input Video Formats	Output Video Formats	Supported TV Resolutions	Supported PC Resolutions
ADC-660	1×CV	1×CV	NTSC 3.58/NTSC 4.43 PAL/PAL-M/PAL-N SECAM	NTSC 3.58/PAL	-	-
CAR-1	1×CV/RGBs Wire	1×DB9	NTSC/PAL/SECAM RGBs	Analog RGBs/RGBs	-	-
CAR-2G	1×CV/RGBs Wire	1×DB9	NTSC/PAL/SECAM RGBs	Analog RGBs/RGBs	-	-
CAR-3	2×CV/RGBs Wire	1×DB9	NTSC/PAL/SECAM RGBs	Analog RGBs/RGBs	-	-
CBK-10	2×SV, 2×CV	2×SV, 2×CV	NTSC/PAL	NTSC/PAL	NTSC/PAL	-
CDL-125	1×Mini-USB	1×HDMI	Data	Digital RGB/YUV Analog RGB	-	VGA-1440×900
CDL-165ETHG	1×RJ45, 1×USB	1×HDMI, 1×VGA, 2×USB	Data	Digital RGB/YUV Analog RGB	480p-1080p	VGA-UXGA
CDL-165HUB	1×RJ45, 1×USB	1×HDMI, 1×VGA, 2×USB	Data	Digital RGB/YUV Analog RGB	480p-1080p	VGA-UXGA
CDL-165PRO	1×USB Dongle	1×HDMI, 1×VGA, 2×USB	Data	Digital RGB/YUV Analog RGB	480p-1080p	VGA-UXGA
CDM-150	1×CV	1×CV	NTSC 3.58/NTSC 4.43 PAL/PAL-M/PAL-N SECAM	NTSC 3.58/PAL	-	-
CDM-160	1×SV, 1×CV	1×SV, 1×CV	NTSC 3.58/NTSC 4.43 PAL/PAL-M/PAL-N SECAM	NTSC 3.58/PAL	-	-
CDM-600	1×CV	1×CV	NTSC 3.58/NTSC 4.43 PAL SECAM	NTSC 3.58/PAL	-	-
CDM-640A CDM-640AR	1×SV, 1×CV	1×SV, 1×CV	NTSC 3.58/NTSC 4.43 PAL/PAL-M/PAL-N SECAM	NTSC 3.58/NTSC 4.43 PAL/PAL-M/PAL-N	-	-
CDM-660	1×SV, 1×CV	1×SV, 1×CV	NTSC 3.58/NTSC 4.43 PAL/PAL-M/PAL-N SECAM	NTSC 3.58/PAL	-	-
CDM-680	1×SV, 1×CV	1×SV, 1×CV	NTSC 3.58/NTSC 4.43 PAL/PAL-M/PAL-N SECAM	NTSC 3.58/NTSC 4.43 PAL/PAL-M/PAL-N SECAM	-	-
CDM-831T CDM-831TR	2×SV, 2×CV	1×SV, 1×Component Video/CV	NTSC 3.58/NTSC 4.43 PAL/PAL-M/PAL-N SECAM	NTSC 3.58/NTSC 4.43 PAL/PAL-M/PAL-N SECAM	-	-
CDPH-1P	1×DP	1×HDMI	Digital RGB	Digital RGB/YUV	480p-1080p	VGA-WUXGA (RB)
CH-2D3D	1×HDMI	1×HDMI	Digital RGB/YUV	Digital RGB/YUV	480i-1080p	-
CH-322	1×HDMI	1×HDMI	Digital RGB/YUV	Digital RGB/YUV	480i-1080p	-
CLUX-DVI2SDIA	1×DVI	1×SDI	Digital RGB	SD/HD/3G-SDI	480i-1080p	VGA-WUXGA (RB)
CLUX-H2SDI	1×HDMI	2×SDI	Digital RGB/YUV	SD/HD/3G-SDI	480i-1080p	VGA-WUXGA (RB)
CLUX-H2SDIA	1×HDMI	1×SDI	Digital RGB/YUV	SD/HD/3G-SDI	480i-1080p	VGA-WUXGA (RB)
CLUX-SDI2DVIA	1×SDI	1×DVI	SD/HD/3G-SDI	Digital RGB	480i-1080p	VGA-WUXGA (RB)
CLUX-SDI2HC	1×SDI	1×HDMI, 1×SDI (Loop)	SD/HD/3G-SDI	Digital RGB/YUV	480i-1080p	VGA-WUXGA (RB)
CLUX-SDI2HCA	1×SDI	1×HDMI	SD/HD/3G-SDI	Digital RGB/YUV	480i-1080p	VGA-WUXGA (RB)
CMDP-DL2DVI	1×mDP	1×DVI-DL	Digital RGB	Digital RGB	-	VGA-WQXGA (RB)
CMDPH-2C	1×mDP	1×HDMI	Digital RGB	Digital RGB/YUV	480i-1080p	VGA-WUXGA (RB)
CMX-07	2×SV, 2×CV	6×SV, 2×CV	NTSC/PAL	NTSC/PAL	480i/576i	-
CMX-12 CMX-112	2×HDMI, 2×Component Video, 2×SV, 2×CV	1×HDMI, 2×Component Video, 2×SV, 2×CV	Digital RGB/YUV Analog YUV NTSC/PAL	Digital RGB/YUV	480i-1080p	-
CP-1261D	1×VGA	1×DVI-D	Analog RGB/YUV	Digital RGB/YUV	480i-1080p	VGA-WUXGA (RB)
CP-1261HS	1×VGA	1×HDMI	Analog RGB/YUV	Digital RGB/YUV	480i-1080p	VGA-WUXGA (RB)

P/N	Inputs	Outputs	Input Video Formats	Output Video Formats	Supported TV Resolutions	Supported PC Resolutions
CP-1262DE	1×DVI-D	1×VGA	Digital RGB/YUV	Analog RGB/YUV	480i-1080p	VGA-WUXGA (RB)
CP-1262HE	1×HDMI	1×VGA	Digital RGB/YUV	Analog RGB/YUV	480i-1080p	VGA-WUXGA (RB)
CP-1262HST	1×HDMI	1×VGA	Digital RGB/YUV	Analog RGB/YUV	480i-1080p	VGA-WUXGA (RB)
CP-1283HDT	2×HDMI	1×Component Video	Digital RGB/YUV	Analog YUV	480i-1080p	-
CP-260D	1×Component Video	1×DVI-I	Analog RGB/YUV	Digital RGB/YUV	480i-1080p	VGA-UXGA
CP-264	1×VGA	1×Component Video	Analog RGB	Analog YUV	480p-720p	VGA-XGA
CP-265	1×Component Video	1×VGA	Analog YUV	Analog RGB/YUV	480i-1080p	VGA-XGA
CP-267S	1×HDMI	1×DVI-D	Digital RGB/YUV	AS IS	480i-1080p	VGA-UXGA
CP-268S	1×DVI-D	1×HDMI	Digital RGB/YUV	AS IS	480i-1080p	VGA-UXGA
CP-280H	1×Component Video	1×HDMI	Analog YUV	Digital RGB/YUV	480i-1080p	-
CP-281H	1×Component Video	1×HDMI	Analog YUV	Digital RGB/YUV	480i-1080p	-
CPT-2370	1×VGA, 1×SV, 1×CV	1×VGA, 1×SV, 1×CV	Analog RGBNTSC/ PAL	Analog RGBNTSC/ PAL	NTSC/PAL	VGA-UXGA
CP-VSRGB	1×SV, 1×CV	1×Component Video	NTSC 3.58/NTSC 4.43 PAL/ PAL-M/PAL-N SECAM	Analog RGB/YUV	-	-
CSC-5300	3×HDMI, 1×VGA, 2×Component Video, 2×SV, 2×CV	1×HDMI	Digital RGB/YUV Analog RGB/YUV	Digital RGB/YUV	480i-1080p	VGA-WUXGA (RB)
CUSB-603	1×HDMI, 1×Component Video/SV/CV	1×Mini-USB	Digital RGB/YUV Analog YUV NTSC/PAL	Data	480i-1080p	-
CWF-901SP	1×USB Dongle, 1×RJ45	1×HDMI, 2×USB	Data	Digital RGB/YUV	720p/1080p	-

▶ GROUP 7: AUDIO CONVERSION ◀

P/N	Inputs	Outputs	Input Audio Formats	Output Audio Formats	Input Sampling Rates (kHz)	Output Sampling Rates (kHz)
CLUX-11CA	1×HDMI, 1×TOSLINK, 2×RCA	1×HDMI	Compressed 2-7.1CH LPCM 2-7.1CH Analog 2CH	Compressed (Bypass) LPCM (Bypass) Analog 2CH	HDMI: 32-192 TOSLINK: 32-48	32-192
CLUX-11CD	1×HDMI	1×HDMI, 1×TOSLINK, 2×RCA	Compressed 2-7.1CH LPCM 2-7.1CH	Compressed (Bypass) LPCM (Bypass) Analog 2CH	32-192	HDMI: 32-192 TOSLINK: 32-48
CLUX-11HB	1×TOSLINK, 2×RCA	1×HDMI	Compressed 2-5.1CH Analog 2CH	Compressed (Bypass) LPCM 2CH	32-192	32-192
CLUX-11SA	1×HDMI	1×HDMI, 4×3.5mm Jack	Compressed 2-7.1CH LPCM 2-7.1CH	Compressed (Bypass) LPCM (Bypass) Analog 2-7.1CH	32-192	32-192
CPRO-11SE2	1×HDMI	1×HDMI, 1×TOSLINK, 1×3.5mm Jack	Compressed 2-7.1CH LPCM 2-7.1CH	Compressed (Bypass) LPCM (Bypass) Analog 2CH	32-192	32-192
CPRO-11SE8	1×HDMI	1×HDMI, 1×TOSLINK, 4×3.5mm Jack	Compressed 2-7.1CH LPCM 2-7.1CH	Compressed (Bypass) LPCM (Bypass) Analog 8CH	32-192	32-192
CPRO-11SI	1×HDMI, 1×TOSLINK, 1×3.5mm Jack	1×HDMI	Compressed 2-7.1CH LPCM 2-7.1CH Analog 2CH	Compressed (Bypass) LPCM (Bypass) Analog 2CH	32-192	32-192
CPRO-AVR1	4×HDMI, 1×COAX, 8×RCA	1×HDMI, 7×Speaker Spring Clip, 1×SUB Out	Compressed 2-5.1CH LPCM 2-7.1CH Analog 2-7.1CH	Compressed (Bypass) LPCM (Bypass) Analog (Bypass)	HDMI: 32-192 COAX: 32-96	32-192
DCT-1	1×TOSLINK	2×RCA	LPCM 2CH	Analog 2CH	32-192	-
DCT-11S	1×SCART	1×SCART, 2×RCA	Analog 2CH	Analog 2CH	-	-
DCT-15	1×Mini-USB, 1×TOSLINK	2×RCA	LPCM 2CH	Analog 2CH	USB: 44.1, 48 TOSLINK: 32-192	-
DCT-16	1×Mini-USB	1×TOSLINK, 2×RCA, 1×6.3mm Jack	LPCM 2CH	LPCM 2CH Analog 2CH	44.1-192	44.1-192
DCT-17	4×TOSLINK	1×TOSLINK	Compressed 2-5.1CH LPCM 2CH	Compressed (Bypass) LPCM (Bypass)	32-192	32-192
DCT-18 DCT-18N	2×RCA	2×RCA	Analog 2CH	Analog 2CH	-	-
DCT-1D	1×TOSLINK	2×RCA	Compressed 2-5.1CH LPCM 2CH	Analog 2CH	32-96	-
DCT-1DD	1×COAX	2×RCA	Compressed 2-5.1CH LPCM 2CH	Analog 2CH	32-96	-
DCT-2	1×COAX, 1×TOSLINK	1×COAX, 1×TOSLINK	Compressed 2-5.1CH LPCM 2CH	Compressed (Bypass) LPCM (Bypass)	32-96	32-96
DCT-21	1×HDMI, 1×USB, 1×COAX, 1×TOSLINK, 2×RCA, 1×Aux	1×HDMI, 1×COAX, 1×TOSLINK, 2×RCA, 1×XLR, 1×6.3mm Jack	Compressed 2-5.1CH LPCM 2CH Analog 2CH	Compressed (Bypass) LPCM (Bypass) Analog 2CH	32-192	32-192
DCT-23	2×HDMI, 1×COAX, 1×TOSLINK, 1×3.5mm Jack, 2×RCA, 1×MIC	1×HDMI, 1×COAX, 1×TOSLINK, 2×RCA	Compressed 2-5.1CH LPCM 2CH Analog 2CH	Compressed (Bypass) LPCM (Bypass) Analog 2CH	32-192	32-192
DCT-23HD	1×HDMI, 1×CAT5e/6/7, 1×COAX, 1×TOSLINK, 1×3.5mm Jack, 2×RCA,	1×HDMI, 1×CAT5e/6/7, 1×Speaker Jack	Compressed 2-5.1CH LPCM 2CH Analog 2CH	Compressed (Bypass) LPCM (Bypass) Analog 2CH	32-192	32-96
DCT-24	1×3.5mm Jack, 2×RCA, 1×USB	1×6.3mm Jack, 2×RCA	LPCM 2CH Analog 2CH	Analog 2CH	32-192	-
DCT-25	1×HDMI	2×RCA	LPCM 2CH	Analog 2CH	32-192	-
DCT-28	1×TOSLINK	4×TOSLINK	Compressed 2-5.1CH LPCM 2CH	Compressed (Bypass) LPCM (Bypass)	32-192	32-192
DCT-3	1×COAX, 1×TOSLINK	2×RCA	LPCM 2CH	Analog 2CH	32-96	-
DCT-31	4×COAX, 4×TOSLINK	10×COAX, 10×TOSLINK	Compressed 2-5.1CH LPCM 2CH	Compressed (Bypass) LPCM (Bypass)	32-192	32-192
DCT-3A	1×COAX, 1×TOSLINK	2×RCA	LPCM 2CH	Analog 2CH	32-192	-
DCT-3HP	1×COAX, 1×TOSLINK	1×3.5mm Jack	LPCM 2CH	Analog 2CH	32-192	-
DCT-4	2×RCA	1×COAX, 1×TOSLINK	Analog 2CH	LPCM 2CH	-	48

P/N	Inputs	Outputs	Input Audio Formats	Output Audio Formats	Input Sampling Rates (kHz)	Output Sampling Rates (kHz)
DCT-4T	2×RCA	1×COAX, 1×TOSLINK	Analog 2CH	LPCM 2CH	-	48
DCT-6S	2×RCA	2×RCA	Analog 2CH	Analog 2CH	-	-
DCT-8S	1×HDMI	1×HDMI	LPCM 2CH	LPCM 2CH	32-48	32-48
DCT-9	1×COAX, 1×TOSLINK, 2×RCA	1×COAX, 1×TOSLINK, 2×RCA	Compressed 2-5.1CH LPCM 2CH Analog 2CH	Compressed (Bypass) LPCM 2CH Analog 2CH	32, 44.1, 48, 96	32, 44.1, 48, 96
DCT-9DD	1×COAX, 1×TOSLINK, 2×RCA	1×COAX, 1×TOSLINK, 2×RCA	Compressed 2-5.1CH LPCM 2CH Analog 2CH	LPCM 2CH Analog 2CH	32-96	48
DCT-9DN	1×COAX, 1×TOSLINK, 2×RCA	1×COAX, 1×TOSLINK, 2×RCA	Compressed 2-5.1CH LPCM 2CH Analog 2CH	LPCM 2CH Analog 2CH	32-96	48
DT-12	1×TOSLINK	2×TOSLINK	Compressed 2-5.1CH LPCM 2CH	Compressed (Bypass) LPCM (Bypass)	32-96	32-96
DT-21	2×TOSLINK	1×TOSLINK	Compressed 2-5.1CH LPCM 2CH	Compressed (Bypass) LPCM (Bypass)	32-96	32-96

▶ **GROUP 8: DIGITAL SIGNAGE** ▶

P/N	Inputs	Outputs	TV Resolutions	PC Resolutions	Screen Size	Frame Size (mm)	Display Backlight
CVM-42AU2	1×HDMI, 1×VGA, 1×IR Extender, 1×RS-232	1×RS-232	480i-1080p	VGA-SXGA	42"	24+24	LCD
CVW-42AK2	1×HDMI, 1×VGA, 1×IR Extender, 1×RS-232	1×RS-232	480i-1080p	VGA-SXGA	42"	13+13	LED
CVW-47LG2	1×HDMI, 1×VGA, 1×IR Extender, 1×RS-232	1×RS-232	480i-1080p	VGA-SXGA	47"	10+10	LCD
CVW-47S	2×HDMI, 1×VGA, 1×IR Extender, 1×RS-232	1×RS-232	480i-1080p	VGA-SXGA	47"	3+1.9	LED
CVW-55S	2×HDMI, 1×VGA, 1×IR Extender, 1×RS-232	1×RS-232	480i-1080p	VGA-SXGA	55"	3.4+1.9	LED
CVW-60S	2×HDMI, 1×VGA, 1×SDI, 1×IR Extender, 1×RS-232	1×SDI, 1×RS-232	HDMI: 480i-1080p SDI: SMPTE 259M-C, SMPTE 292M, SMPTE 424M/425M-AB	VGA-SXGA	60"	4.1+2.4	LED
CDB-5	1×RS-232	1×RS-232	-	-	-	-	-
CVW-11HS	1×HDMI, 1×VGA, 1×3.5mm Jack, 1×IR Extender, 1×RS-232	1×HDMI, 2×RCA, 1×RS-232	Input: 480p-1080p Output: 720p/1080p	VGA-SXGA	-	-	-

P/N	Inputs	Outputs	4K	3D	ARC	HEC	Deep Color	HD Audio	CEC	EDID	HDCP
CDPS-44SM	4×HDMI	4×HDMI	-	-	-	-	Yes	Yes	-	Yes	Yes
CDPS-14TW	1×HDMI	4×HDMI	-	-	-	-	Yes (Input)	Yes	-	Yes	Yes
CDPS-41SQ	4×HDMI	1×HDMI	-	-	-	-	Yes	Yes	-	-	Yes

▶ **GROUP 9: CONTROL SYSTEM** ◀

P/N	Ethernet	USB	Infrared Learning Input	Triggers	RS-232 COM Ports	Infrared Emitting Output	Relays	App Installation
CCS-D1	1	2	-	8	4	16	4	Yes
CDPS-CS4	4	1	1	8	2	8	8	Yes
CDPS-D2	1	-	-	16	6	16	12	Yes
CDPS-IRL	-	1	1	-	-	1	-	Yes

▶ **GROUP 10: OTHERS** ◀

P/N	Test Interface	Video Timings	Video Patterns	TV/PC Resolutions	3D Patterns	Audio Patterns	HDCP	EDID
CH-A1	HDMI	25	6	480i-1080p@24/25/60Hz (8/10/12-bit) VGA-WUXGA (RB)	Frame Packing Side-by-Side (Half) Top-and-Bottom	2CH@48/96/192kHz Multi-CH@48/96kHz	-	Yes
CPA-4	HDMI	12	36	480p-1080p VGA-WUXGA (RB)	-	Internal: Multi-CH@48kHz External: 32-192kHz	Yes	Yes
CPHD-1	HDMI	39	39	480i-1080p@24/50/60Hz (8-bit) VGA-WUXGA (RB)	-	Internal: Multi-CH@48kHz External: 32-192kHz	Yes	Yes
CPHD-3A	HDMI, VGA, COAX, TOSLINK	HDMI: 40 VGA: 22	51	480i-1080p@24/50/60 8/10/12-bit VGA-WUXGA (RB)	-	Internal: Multi-CH@48kHz External: 32-192kHz	Yes	Yes
LPM-55	Component Video/SV/CV	6	55	NTSC 3.58/NTSC 4.43 PAL/PAL-M/PAL-N SECAM	-	-	-	-

P/N	Inputs	Outputs	TV Resolutions	PC Resolutions	Power Mgt.	CEC Mgt.	EDID Mgt.	Software Inst.
CH-POC1	1×CAT5e/6/7	1×CAT5e/6/7	-	-	Yes	-	-	-
CPOWER-80W	1×RS-232	8×Terminal Block	-	-	Yes	-	-	-
CS-PM	1×HDMI	1×HDMI	-	-	Yes	-	-	-
CED-1M	1×HDMI	1×HDMI	480i-4K@24/25/30Hz	-	-	-	Yes	Yes
CED-S11	1×HDMI	1×HDMI	408i-1080p@50/60Hz	VGA-UXGA	-	Yes	Yes	-
CLUX-UCEC	1×HDMI	1×HDMI	408i-1080p@50/60Hz	VGA-WUXGA (RB)	-	Yes	-	Yes

■ *New products colored in Blue.*

ADC		CH	CH-507TX.....55	CHDMI-41AT47
ADC-660129		CH-507TXBD54	CH-507TXWPBD63	CHDMI-42E.....46
CA		CH-507TXWPUS63	CH-513RXL62	CHMX
CA-COMP50R71		CH-513RXLN62	CH-513TXL62	CHMX-2210
CA-COMP100R71		CH-513TXLN62	CH-514RXL61	CHMX-2410
CA-COMPAT71		CH-514RXLN61	CH-514RXWPL65	CHMX-4410
CA-DVI100R70		CH-514TXL61	CH-514TXLN61	CHQV
CA-DVI250R70		CH-515RXPT58	CH-516TXAS51	CHQV-2H91
CA-DVIAT70		CH-517RXHS51	CH-520TXAHS50	CHQV-3CH90
CA-HDMI50R70		CH-521RXHS50	CH-526RX58	CIR
CA-HDMI100R70		CH-526RXPL59	CH-1103RX69	CIR-0376
CA-HDMI150R70		CH-1103TX69	CH-1106RXN68	CIR-1276
CA-HDMI250R70		CH-1106TX68	CH-1107EX67	
CA-HDMIAT70		CH-1107TX67	CH-1109RXC54	CLUX
CA-USB100R72		CH-1109TXC54	CH-1507RX53	CLUX-1CAT4H31
CA-USBAT72		CH-1507TX53	CH-1527RX52	CLUX-1CAT8H31
CA-USBHU100R66		CH-1527TX52	CH-1601RX52	CLUX-1H4CAT30
CA-USBHUT66		CH-1601TX52	CH-2507RX53	CLUX-1H8CAT30
CA-USBL70R73		CH-2507TX53	CH-A1157	CLUX-3D12S1A26
CA-USBLT73		CH-POC1159	CHDBR	CLUX-4M25
CA-USBS100R72			CHDBR-2HE59	CLUX-4S246
CA-USBST72			CHDBT	CLUX-4M25
CAC			CHDBT-1H1CE21	CLUX-4S246
CAC-RXA71			CHDBT-1H1CL22	CLUX-8M25
CAC-TXA71			CHDBT-1H1CPL22	CLUX-8M3D25
CAR			CHDBT-1H2CE20	CLUX-8M3D25
CAR-1122			CHDBT-1H3CE20	CLUX-11CA142
CAR-2G122			CHDBT-1H3CL22	CLUX-11CD142
CAR-3122			CHDBT-1H7CE19	CLUX-11HB144
CBK			CHDBT-1H7CL21	CLUX-11SA144
CBK-10131			CHDBT-1H7CPL21	CLUX-12CEC28
CCMX			CHDBT-2H8CE19	CLUX-12E28
CCMX-4214			CHDBX	CLUX-12S27
CCMX-4414			CHDBX-1C79	CLUX-14CEC28
CCMX-44DA14			CHDBX-1CL80	CLUX-14E28
CCS			CHDBX-1H1CE79	CLUX-14EP29
CCS-D1154			CHDBX-1H1CPL80	CLUX-14S27
CDB			CHDD	CLUX-14W26
CDB-5150			CHDD-3C35	CLUX-16E28
CDL			CHDD-8C35	CLUX-18CEC28
CDL-125126			CHDD-41AR48	CLUX-18E28
CDL-165ETHG124			CHDMI	CLUX-18EU29
CDL-165HUB125			CHDMI-3147	CLUX-18S27
CDL-165PRO124			CHDMI-4147	CLUX-18W26
CDM				CLUX-21N43
CDM-150129				CLUX-22HC31
CDM-160129				CLUX-31GAME41
CDM-600128				CLUX-31N43
CDM-640A128				CLUX-31SY43
CDM-640AR128				CLUX-41AP46
CDM-660128				CLUX-41AT45
CDM-680127				CLUX-41N43
CDM-831T127				CLUX-41SY43
CDM-831TR127				CLUX-41W41
CDP				CLUX-42E44
CDP-13DPI33				CLUX-42S44
CDP-14C33				CLUX-42SA45
CDPH				CLUX-6142
CDPH-1P117				CLUX-8142
CDPS				CLUX-210S27
CDPS-6H2HFS7				CLUX-C41C42
CDPS-14TW24, 151				CLUX-C61C42
CDPS-41SQ38, 151				CLUX-C81C42
CDPS-44SM8, 150				CLUX-DVI2SDIA116
CDPS-84HB86				CLUX-H2SDI114
CDPS-CS4155				CLUX-H2SDIA115
CDPS-D2154				CLUX-M2SDI102
CDPS-IRL155				
CDPS-U4H4HSA7				
CDPS-US100R91				
CDVI				
CDVI-2DDS32				
CDVI-2S32				
CDVI-4DDS32				
CDVI-4S32				
CDVI-8S32				
CDVI-3147				
CDVI-4147				
CDVI-6147				
CDVI-8147				
CDVI-513RXL62				
CDVI-513TXL62				
CDVI-1109RXC56				
CDVI-1109TXC56				
CED				
CED-1M160				
CED-S11161				
CETH				
CETH-4HDI73				
CETH-4USB74				
CFSW				
CFSW-51MHL39				
CH				
CH-2D3D123				
CH-10182				
CH-106RXN69				
CH-106TXN69				
CH-107RXN67				
CH-10883				
CH-110RX68				
CH-110TX68				
CH-304RX74				
CH-304TX74				
CH-316RX66				
CH-316TX66				
CH-322123				
CH-501RX56				
CH-501TX56				
CH-506RX55				
CH-506RXL61				
CH-506RXPL60				
CH-506RXWP64				
CH-506TX55				
CH-506TXL61				
CH-506TXPL60				
CH-506TXPLBD60				
CH-506TXWP64				
CH-507RX55				
CH-507RXLBD54				
CH-507RXWP64				
CH-507RXWPBD63				
CH-507RXWPUS63				

CLUX-OF2SDI78	CMSI-32321	CPOWER-80W159	CVM-42AU2149
CLUX-SDI2CSS104	CMX	CPRO	CVMDP
CLUX-SDI2DVIA116	CMX-07130	CPRO-2E23	CVMDP-1080P102
CLUX-SDI2HC114	CMX-12130	CPRO-2E4KS92	CVSD
CLUX-SDI2HCA115	CMX-112130	CPRO-3D41GAME40	CVSD-3A35
CLUX-SDI2HS103	COH	CPRO-3D42S39	CVSD-41ARN48
CLUX-SDI2OF78	COH-RX78	CPRO-4E23	CVW
CLUX-SDI2VS104	COH-RX177	CPRO-4ER23	CVW-11HS149
CLUX-UCEC161	COH-RX277	CPRO-8E23	CVW-42AK2149
CM	COH-TX78	CPRO-8ER23	CVW-47LG2149
CM-347ST106	COH-TX177	CPRO-8MCEC24	CVW-47S149
CM-348ST101	COH-TX277	CPRO-11SE2141	CVW-55S149
CM-388M107	CP	CPRO-11SE8141	CVW-60S149
CM-388N107	CP-251F105	CPRO-11SI141	CWF
CM-398DI101	CP-252100	CPRO-11SR81	CWF-901SP126
CM-398H96	CP-254100	CPRO-12ES92	DCT
CM-398M106	CP-255D98	CPRO-16E23	DCT-1138
CMDP	CP-255DN98	CPRO-41W40	DCT-1D134
CMDP-13MDPI33	CP-255H88	CPRO-AVR1136	DCT-1DD133
CMDP-DL2DVI117	CP-255I88	CPRO-U4H1HFS38	DCT-2139
CMDPH	CP-255ID98	CPRO-UHH81	DCT-3139
CMDPH-2C117	CP-259H96	CPT	DCT-3A139
CMIR	CP-259HN96	CPT-385AM108	DCT-3HP139
CMIR-4415	CP-260D121	CPT-387HD108	DCT-4140
CMIR-88215	CP-263D83	CPT-2370131	DCT-4T140
CMLUX	CP-263H83	CRS	DCT-6S146
CMLUX-4H4CAT11	CP-264121	CRS-232RX76	DCT-8S146
CMLUX-22S10	CP-265121	CRS-232TX76	DCT-9140
CMLUX-24S10	CP-267S120	CS	DCT-9DD133
CMLUX-42S10	CP-268S120	CS-801H89, 123	DCT-9DN134
CMLUX-44E9	CP-280H120	CS-802D89	DCT-11S146
CMLUX-44S10	CP-281H120	CS-HH82	DCT-15138
CMPRO	CP-29094	CS-PM160	DCT-16138
CMPRO-4H2H8	CP-291105	CSC	DCT-17143
CMPRO-4H4H8	CP-291N105	CSC-5300122	DCT-18145
CMPRO-U4H4CVE2	CP-292105	CSC-550086	DCT-18N145
CMPRO-U4H4CVPL5	CP-29394	CSDI	DCT-21137
CMPRO-U8H8CVE2	CP-293N94	CSDI-12SR103	DCT-23135
CMPRO-U8H8CVPL5	CP-29495	CSDI-1434	DCT-23HD135
CMSDI	CP-295N95	CSDI-4234	DCT-24136
CMSDI-4413	CP-295NN95	CSDI-4434	DCT-25145
CMSDI-8413	CP-298D99	CSI	DCT-28143
CMSDI-12413	CP-298H93	CSI-8H8CV2IR57	DCT-30RX75
CMSDI-16413	CP-300VD99	CSI-8H8CVTX57	DCT-30TX75
CMSDI-1616S13	CP-302M93	CSLUX	DCT-31142
CMSI	CP-30493	CSLUX-30087	DCT-32RX75
CMSI-4H4CV3	CP-1261D119	CSLUX-300I87	DCT-32TX75
CMSI-4H4CVL5	CP-1261HS119	CSLUX-1080P97	DT
CMSI-8D8DS12	CP-1262DE119	CSO	DT-12143
CMSI-8D8DSA12	CP-1262HE119	CSO-T290	DT-21143
CMSI-8H8CV3	CP-1262HST118	CUSB	LPM
CMSI-8H8CVE3	CP-1269HM82	CUSB-603125	LPM-55158
CMSI-8H8CVL5	CP-1283HDT118	CV	
CMSI-8H8HC11	CP-VSRGB121	CV-400H110	
CMSI-8H8HS9	CPA	CV-401D109	
CMSI-18H8CVE2	CPA-4158	CV-401H109	
CMSI-46PL6	CPCD	CV-401V110	
CMSI-48E4	CPCD-3A35	CVLUX	
CMSI-881	CPCD-41AR48	CVLUX-1080P97	
CMSI-424E4	CPHD	CVM	
CMSI-424L6	CPHD-1158		
CMSI-16161	CPHD-3A157		
	CPOWER		

ABOUT CYPRESS

Cypress Technology, based in Taiwan, was founded in 1989, specialising in the design and manufacture of innovative AV and Multimedia products. Today Cypress Technology is highly recognised as a pioneer within the AV industry and offers an extensive AV product range that is now widely used throughout the AV industry internationally.

All our products are primarily designed for signal management for Home Theatre integration, AV signal distribution within Mega Stores, video production, video picture enhancement or signal format conversion, distribution and switching - in fact, it would be simpler to say Cypress Technology can always bring a solution to bridge the gap between the incompatibility of AV systems.

Since its founding Cypress Technology have always been at the very forefront of every shift in AV technological advancements, from developing and manufacturing analogue devices in the early 1990's, PC Multimedia in the late 90's, digital video in early 2000 to today's HDMI 'High Definition' arena for all HDTV solutions. Cypress Technology has continually over the last 20 years, developed and manufactured on an OEM/ODM basis for many internationally renowned industry leaders, whilst also developing our own CYP Brand without compromising the interest of our clients.

Due to our extensive experience within AV technology, Cypress Technology is not only equipped to provide great flexibility and speed for designing customised products to meet our customer's requirements, but also in R & D and the continuous development and testing of the emerging HDMI technologies. Cypress Technology takes great pride in the quality of its product range and offers a reliable "After Sales Service" with timely technical support to customers' questions in the field.

We have established a worldwide network of distributors and resellers; please contact a distributor in your country, for all our product details or information. However, should you wish to contact us directly for the development of future business, please do not hesitate to do so, at sales@cypress.com.tw.



TRADEMARK NOTICE

HDMI, the HDMI Logo, and High-Definition Multimedia Interface are trademarks or registered trademarks of HDMI Licensing LLC in the United States and other countries.

HDBase™ and the HDBaseT Alliance logo are trademarks of the HDBaseT Alliance.

Dolby and the double-D symbol are registered trademarks of Dolby Laboratories.

DTS, DTS-HD, the Symbol, & DTS or DTS-HD and the Symbol together are registered trademarks of DTS, Inc.

©2015 Cypress Technology Co., Ltd. All rights reserved.

